

Department Of Veterans Affairs

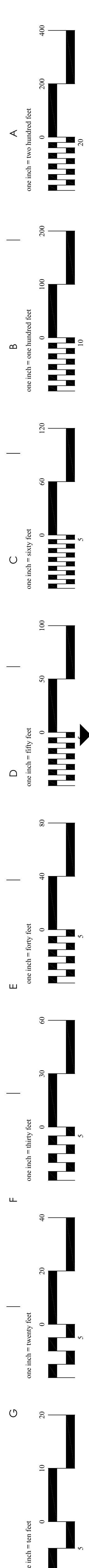
HOUSTON NATIONAL CEMETERY HOUSTON, TEXAS

CORROSION PROTECTION COATING, ABOVEGROUND WATER PIPELINE

PROJECT NUMBER 789CM_____

SHEET INDEX:

X-101 TITLE SHEET
D-101 DEMO & DETAILS



Revisions	Date



NATIONAL
CEMETERY
ADMINISTRATION

Drawing Title COVER SHEET & SHEET INDEX	Project Title CORROSION PROTECTION COATING	Date 09/05/2017
Approved: Division Chief	Building Number	Checked CFC
Approved: Service Director	Location HOUSTON NATIONAL CEMETERY	Project No. 789CM_____
DRAWING NO. X-101		Dwg. 1 Of 2

400
200
0
one inch = two hundred feet

200
100
0
one inch = one hundred feet

120
60
0
one inch = sixty feet

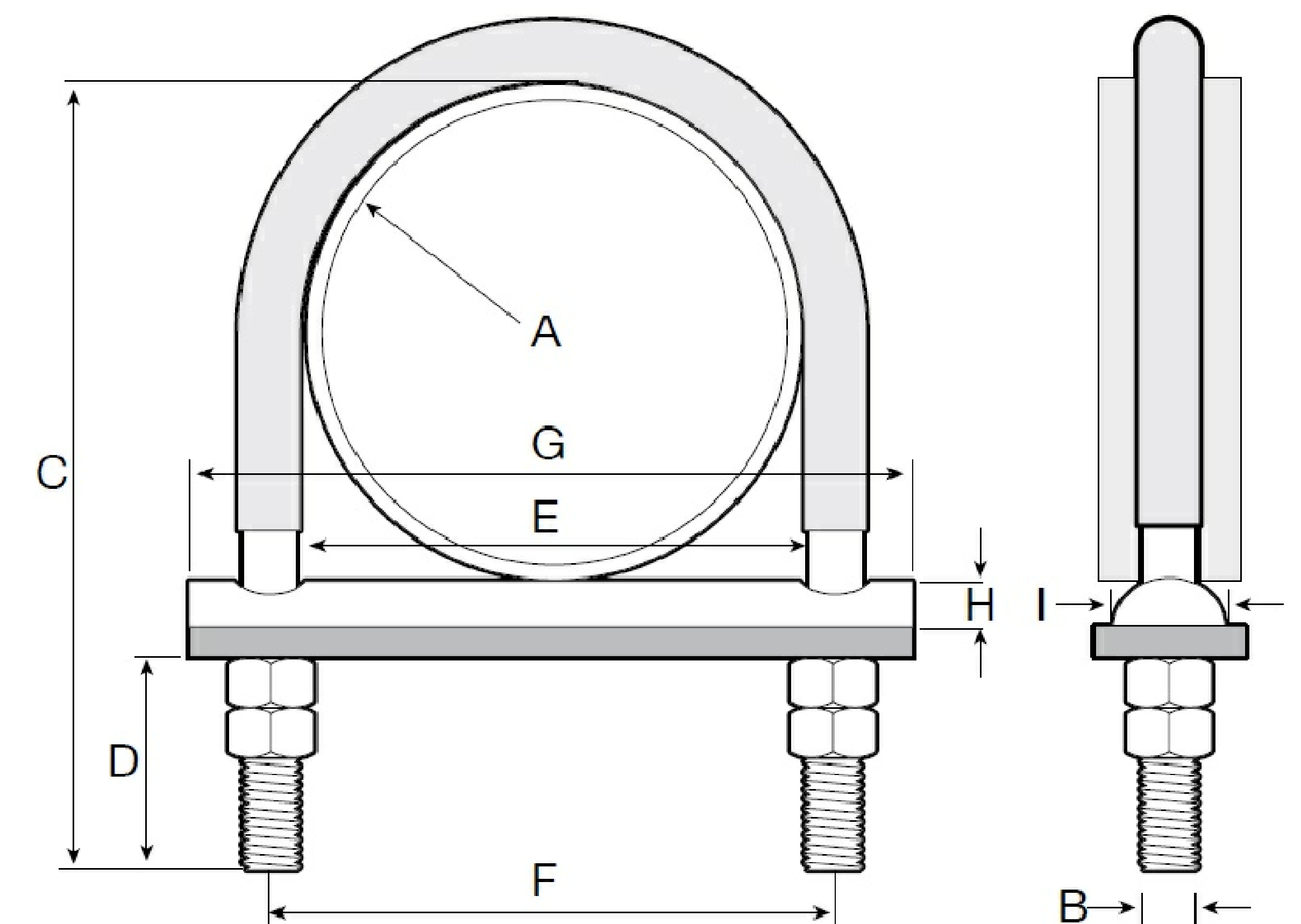
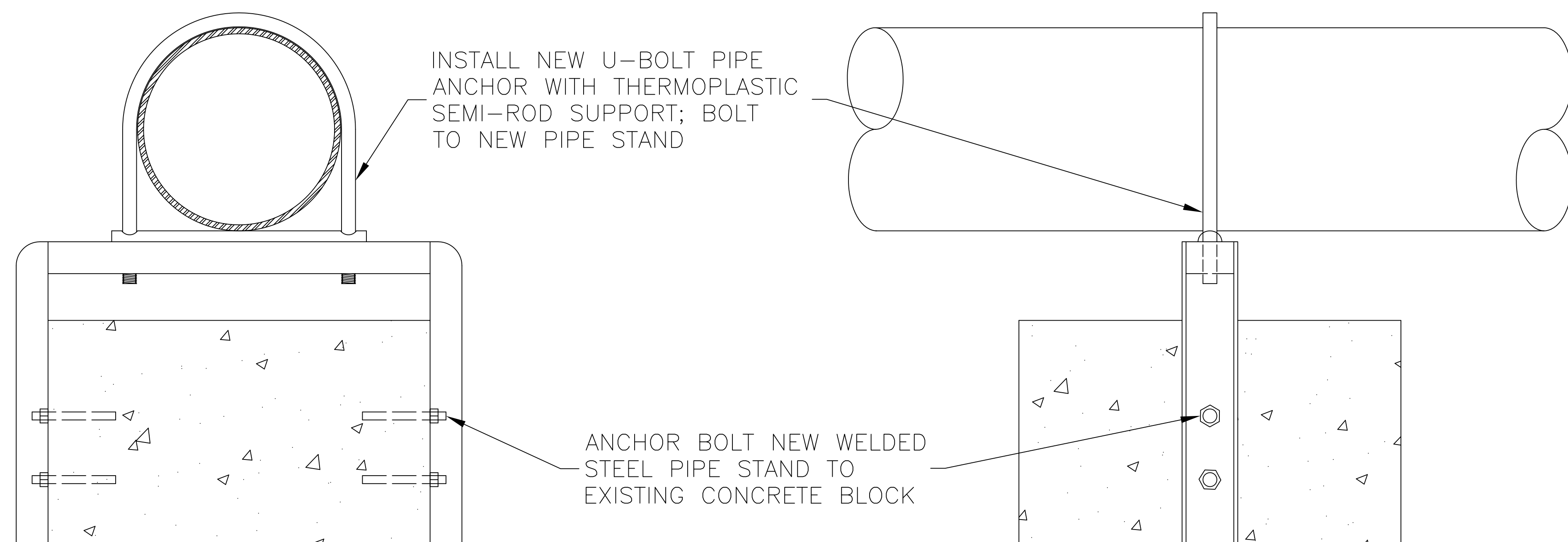
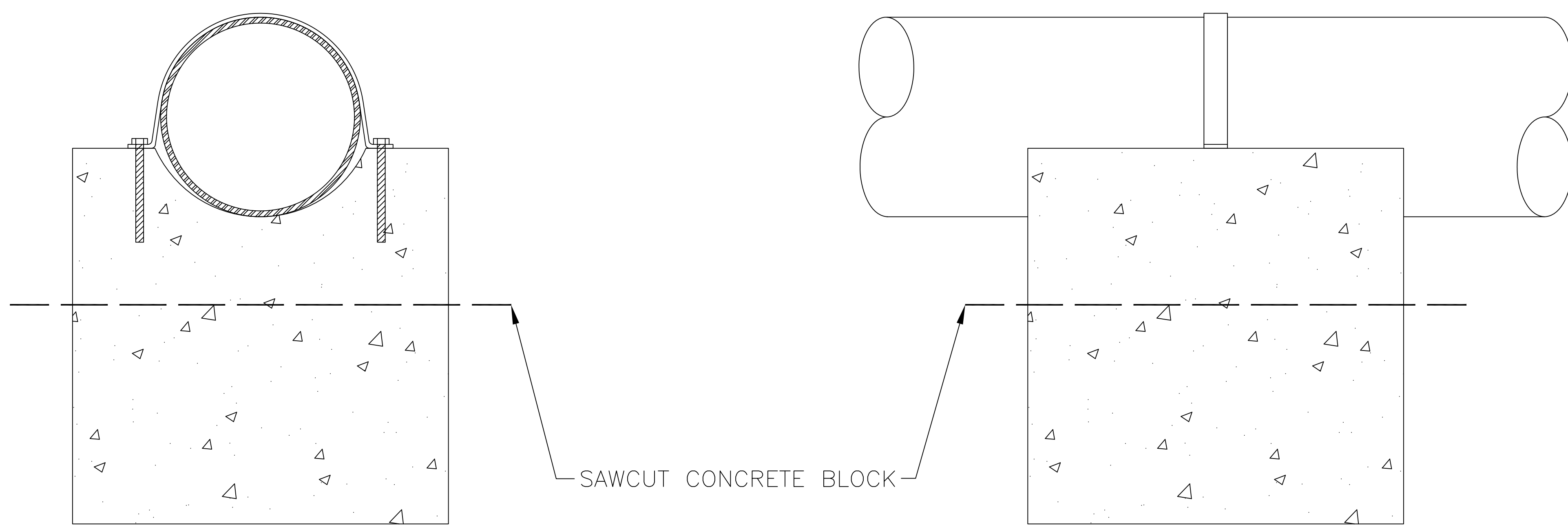
100
50
0
one inch = fifty feet

80
40
0
one inch = forty feet

60
30
0
one inch = thirty feet

40
20
0
one inch = twenty feet

20
10
0
one inch = ten feet



U-BOLT ANCHOR DIMENSIONS (INCHES)								
(A)	(B)	(C)	(D)	(E)	(F)	(G)	(H)	(I)
NOMINAL PIPE SIZE	U-BOLT STOCK	U-BOLT HEIGHT	THREAD LENGTH	INSIDE GAP	BOLT C TO C	SEMI-ROD LENGTH	SEMI-ROD HEIGHT	SEMI-ROD WIDTH
12	7/8	16 1/16	4 1/4	12 7/8	13 3/4	16	11/16	1 1/2

Revisions	Date



NATIONAL
CEMETERY
ADMINISTRATION

Drawing Title PIPE SUPPORT DEMO & DETAILS
Approved: Division Chief
Approved: Service Director

Project Title CORROSION PROTECTION COATING	Building Number	Checked	Drawn CFC
Location HOUSTON NATIONAL CEMETERY			

Date 09/05/2017
Project No. 789CM
DRAWING NO. D-101
Dwg. 1 Of 2