

12640 - Desks

Summary of Desks (D-, WB-)

Spec Item No.	Furniture Selection	Manufacturer	Quantity
	Teknion Desk System Performance Specifications		
D-01	Sit / Stand Desk (60" x 30")	Teknion	72
D-02	Sit / Stand Desk (48" x 30")	Teknion	227
D-03	"L" Shaped Unit - Left Hand with Overhead Bin	Teknion	70
D-04	"L" Shaped Unit - Right Hand with Overhead Bin	Teknion	71
D-05	"L" Shaped Unit - Left Hand; Notched	Teknion	23
D-06	"L" Shaped Unit - Right Hand; Notched	Teknion	25
D-07	Desk "U" Unit with Notched Corner and Sit/Stand "P" Shaped Desk	Teknion	5
D-08	Desk "U" Unit with Notched Corner and Sit/Stand "P" Shaped Desk	Teknion	10
D-09	"U" Shaped Unit - Left Hand with Overhead Bin	Teknion	7
D-10	"U" Shaped Unit - Right Hand with Overhead Bin	Teknion	7
D-11	Desk, Corner Unit	Teknion	1
D-12	Desk, Corner Unit	Teknion	1
D-13	Straight Surface with (2) Peds on Left	Teknion	16
D-14	Straight Surface with (2) Peds on Right	Teknion	17
D-15	"L" Shaped Unit Without Bins	Teknion	1
D-16	Shell (60" x 24")	Teknion	2
D-17	Sit / Stand Desk (48" x 24")	Teknion	11
D-18	Sit / Stand Desk (60" x 24")	Teknion	22

12640 - Desks

Summary of Desks (D-, WB-)

Spec Item No.	Furniture Selection	Manufacturer	Quantity
D-19	Mobile Desk with CPU Holder (48" x 24")	Teknion	2
D-20	Straight Surface with (1) Ped	Teknion	1
D-21	Standard Desk with Ped on Right (60" x 30")	Teknion	1
D-22	Sit / Stand Desk (54" x 30")	Teknion	14
D-23	Sit / Stand Mobile Desk (48" x 30")	Teknion	2
D-24	Fixed Desk with Single Pedestal	Teknion	3
D-25	Straight Surface with Pedestal	Teknion	1
	Lista - Lab Work Benches, Tables and Storage Cabinet Performance Requirements		
WB-01	Workbench (48" x 30")	Lista International	4
WB-02	Workbench "L" Shaped (96" x 30") with 60" Left Return	Lista International	1
WB-03	Workbench (72" x 30")	Lista International	1
WB-04	Workbench (120" x 30")	Lista International Corporation	1

12640 - Desks

Furniture

Selection Description

---

Desks Teknion Desk System Performance Specifications

### Multi-Level Workstations – Height Adjustable

#### Overview

- a. Height-adjustability, available on freestanding desk or multi-level workstation comprised of a secondary desk and run-off, should be composed of a lifting mechanism integrated in one or two Bevel bases.
- b. The Bevel Base is composed of two metal skins 20 gauge, available in Foundation, Mica and Coordinate Color.
- c. Worksurface shall be available in Solid or Glass Worksurface
- d. Solid worksurfaces shall be available in 1" TFL-(Thermally Fused Laminate) and 1-3/16", 1-9/16" HPL (High Pressure Laminate) or Flintwood. (see Finishes section)
- e. When 1" (D) and 1-3/16" (M) thickness is specified, gables shall be 1" thick.
- f. When 1-9/16" (X) thickness is specified, gables shall be 1-9/16" thick.
- g. Solid Laminate worksurface edges shall be protected with 3 mm polyethylene Straight Trim and the laminate gable edges shall be protected with 1.5 mm Polyethylene plastic Straight Trim.
- h. Glass Worksurface shall be offered in the thickness 3/8" (10 mm) Back-Painted tempered glass.
- i. When the glass worksurface is specified, End Panel for Bevel Base shall be 1/4" (6 mm) Back-Painted tempered glass. A protective metal trim will match Back-Painted Glass finish.
- j. The glass surface edges and corners are chamfered-flat polished and dubbed-corner.
- k. Power Tray shall manage wires below the worksurface and a Mounting Bracket allow installation RLPP - Power Bar in fixed position.
- l. All dimensions shall be nominal, widths are reduced by a 0.5% factor.
- m. Levelers shall provide an adjustment range of 3".

#### Lifting System

- a. Height-adjustability range shall be sit to stand:  
Height-Adjustable Run-Off mounted on High Secondary Desk = 29-43" height  
Height-Adjustable Run-Off mounted on Low Secondary Desk = 26-43" height  
Height-Adjustable Freestanding Desk = 29-43" height  
Weight Capacity  
Solid Top 1" (D) = 150 lbs.  
Solid Top 1-3/16" (M) = 150 lbs.  
Solid Top 1-9/16" (X) = 100 lbs.  
Glass Top: 100 lbs.  
[The lifting column shall be DESKLINE system from Linak with low noise level.](#)

Teknion Desk System Performance Specifications (cont.)

12640 - Desks

Furniture

Selection Description

---

Desks Teknion Desk System Performance Specifications

Teknion Desk System Performance Specifications (cont.)

Electric Control Box shall be plug & play and concealed in the Power Tray. It shall plug directly in the building wall outlet. The power cord shall be 120" length, allowing an excess cord of 92" to 107" (depending of the control box position and the length the worksurface) from the bottom of the Height-Adjustable Leg.

[The adjustable desks shall feature hardware based anti-collision technology PIEZO™ from Linak. A sensor integrated in the lifting column reacts at any obstruction when raising or lowering the desk, then halts and reverses to avoid collision.](#)

Control Box uses a maximum current of 4.25A.

Two under-worksurface switches can be specified:

1. Up/Down Function (Standard (S))
2. Programmable function with three memory settings and a display (D)

The Switch is 0.1 Watt resting power draw (low voltage)

Secondary Desks - Height-Adjustable Desks

- a. Secondary Desks for Height-Adjustable Run-Off shall always be installed against a building wall.
- b. Height-Adjustable Run-Off must be installed only in specified location (worksurface cut-out)
- c. The maximum unsupported span shall be 66" with Storage mounted and 78" without mounted storage. A Storage for secondary desk or the U-channel of Height-Adjustable Run-Off shall be considered as a support.
- d. Low Secondary Desks shall be 17-1/4" high.
- e. High Secondary Desks shall be 26-3/4" high.
- f. Reinforcing bars shall be required and included for all Secondary Desks and shall be made of steel HRPO sheet 11ga (Hot Rolled Pickled & Oiled).
- g. Secondary Desks shall include 4"h levelers.
- h. Cable shall be managed through height-adjustable post leg or optional rectangular grommet.

Run-off - Height-Adjustable

- a. Height-Adjustable Run-off Worksurfaces shall be mounted above a Secondary Desk for Height-Adjustable Desk only.
- b. The Height-Adjustable Run-off shall come with one Height-Adjustable Bevel Base and one Height-Adjustable Leg.
- c. Reinforcing bars shall be included for 1" and 1-3/16" & 1-9/16" Height-Adjustable Run-off Worksurfaces.
- d. The reinforcing bar shall be made of steel HRPO sheet 14ga (Hot Rolled Pickled & Oiled).
- e. A U-Channel with Levelers shall allow to fix the lifting mechanism to the Secondary Desk.
- f. A Metal cover shall hide the lifting mechanism and allow electricity management.
- g. The hardware, metal cover and bracket should be available in Foundation, Mica and Coordinate Color.

Teknion Desk System Performance Specifications (cont.)

12640 - Desks

Furniture

Selection Description

---

Desks Teknion Desk System Performance Specifications

Teknion Desk System Performance Specifications (cont.)

- h. A Storage for Secondary Desk (BSSO, BSSM or BSSHA) is mandatory to cover the U-Channel under the Secondary Desk
- i. Run-off can be installed in two position from rear end of Secondary Desk:
  - 1. Without wall panel: 1" recessed allows up/down movement without damaging the building wall.
  - 2. With Wall Panel: 3" recessed allows up/down movement without interference with the Accessory Rail.
- j. Rectangular Grommet shall be optimized for MAST Monitor Arm (YMST\_) application.
- k. Square Grommet shall be specified for the installation of worksurface mount electric solution, Power Cube. No grommet cover included.

Freestanding Desk – Height-adjustable

- a. The Freestanding desk shall come with two height-adjustable Bevel Bases.
- b. A modesty panel shall be mandatory and is available in laminate or glass.
- c. A clearance of 3/8" between the worksurface and the modesty panel to route cables.
- d. The bevel base shall allow integrated cable management
- e. Reinforcing bars shall be included for 1" and 1-3/16" & 1-9/16" Height-Adjustable Freestanding Worksurfaces.
- f. The reinforcing bar shall be made of steel HRPO sheet 14ga (Hot Rolled Pickled & Oiled).
- g. Rectangular Grommet shall be optimized for MAST Monitor Arm (YMST\_) application. Square Grommet shall be specified for the installation of worksurface mount electric solution, Power Cube. No grommet cover included.

Optional Modesty Panel

- a. Laminate modesty panels shall be constructed of a 1" thick particle board LPL with two faces. It shall be protected with a 1.5 mm plastic Straight Trim.

Supports

- a. Angled Legs shall be available in Foundation and Mica colors. It shall include a 4"h black leveler with an aluminum leveler cover-same color of leg.

Mounted Storage & Accessories

- a. Depending on the storage type, hinged doors shall be available in 11/16" thick laminate and in back-painted, frosted or clear tempered glass (4mm) which shall be inserted in a 11/16" thick aluminum frame available in Foundation and Mica colors or Clear Anodized.

Teknion Desk System Performance Specifications (cont.)

12640 - Desks

Furniture

Selection Description

---

Desks Teknion Desk System Performance Specifications

Teknion Desk System Performance Specifications (cont.)

#### Standard and Cubic Overhead Cabinets

- a. Cubic Overhead case and doors shall also be offered in Flintwood construction. (see Finishes section).
- b. Standard and Cubic Overhead case shall also include a metal shelf made with a #18 gauge metal sheet bent to recreate 1" thick and fixed to case and divider with screws. Shelf shall be finished in Foundation, Mica and Coordinate colors (see Finishes section).
- c. Overhead hinged doors shall be handled with the fingertips.
- d. All overhead are shipped assembled.

#### Freestanding Storage & Accessories

- a. Case bottom shall be made of two #22 gauge steel struts. A flanged nut designed for metal storage shall provide structural integrity for levelers and casters.

#### Power & Data Distribution

- a. Under-worksurface Wire Management Clips shall easily manage wires underneath the worksurface.
- b. No tools shall be necessary for installation.
- c. The Cable Tray shall attach to the underside of a worksurface to manage excess wires.
- d. Shall be 12" wide.
- e. Shall accept Under-Worksurface Plug-In Power Bar with no tools required for installation.
- f.
- g. Shall come with an opening of 2.71"x1.38" to accommodate Voice/Data faceplates (not included).  
Shall be finished in Black ABS.

#### Standards

- a. Shall comply with the following:
  - ANSI/BIFMA (American National Standard for Office Furnishings/Business & Institutional Furniture Manufacturers Association):
    - X5.5-2008, Desk/Table Products-Tests;
    - X5.9-2012, Storage Units-Tests;
    - e3-2014, Furniture Sustainability Standard, Level 2;
  - ANSI A208.1-2009 - American National Standard for Particleboard (Grade M-2)
  - NEMA LD3-2005: (National Electrical Manufacturers Association): Standard for high pressure plastic laminate;
  - CAN/CGSB-44.227-2008: Canadian General Standard Board, Free-standing Office Desk Products and Components;
  - CSA Z412-2000 - Guideline on Office Ergonomics
  - BIFMA G1-2013: ERGONOMICS GUIDELINE FOR FURNITURE USED IN

Teknion Desk System Performance Specifications (cont.)

12640 - Desks

Furniture

Selection Description

---

Desks Teknion Desk System Performance Specifications

Teknion Desk System Performance Specifications (cont.)

#### OFFICE WORK SPACES DESIGNED FOR COMPUTER USE

- Greenguard (Indoor Air Quality Program): UL 2818 - 2013 Standard for Chemical Emissions for Building Materials, Finishes and Furnishings.
- ANSI/BIFMA X7.1-2011, American National Standard for Formaldehyde and TVOC Emissions of Low-emitting Office Furniture Systems and Seatings.
- b. Our plants and our administrative offices are certified International Organization for Standardization:
  - ISO 9001:2008: Quality Management System;
  - ISO 14001:2004: Environmental Management System.
- c. LEED (Leadership in Energy and Environmental Design): Teknion has strategically aligned both its product portfolio and information systems support to the LEED rating and certification program developed by the U.S. Green Building Council (USGBC).
- d. Some products shall be available with optional FSC certified wood.

#### Finishes

- a. Laminate:
  - 11/16" LPL: particle board 11/16", 42.5 lbs/ft. density, low pressure laminate on two faces. Shall be available in Source Laminate colors.
  - 11/16" HPL: particle board 11/16", 42.5 lbs/ft. density, high pressure laminate .030" thick and corresponding backer.
  - (D): 1" LPL: particle board 1", 42.5 lbs/ft. density, low pressure laminate on two faces. Shall be available in Source Laminate colors.
  - (M): 1-3/16" HPL: particle board 1-1/8" thick, 42.5 lbs/ft. density, high pressure laminate .030" thick and corresponding backer for a total thickness of 1-3/16". Shall be available in Foundation Laminate colors.
  - (X): 1-9/16" HPL: particle board 1-1/2" thick, 42.5 lbs/ft. density, high pressure laminate .030" thick and corresponding backer for a total of thickness of 1-9/16". Shall be available in Foundation Laminate wood print colors only.
- b. Wood
  - Teknion refers to "Flintwood" for wood finish in Expansion Casegoods.
  - Flintwood surfaces should be constructed with .032" reconstituted wood veneer and backing sheet (BKL) applied to a particle board.
  - An adhesive shall be used between layers over 100% of surface.
  - 1-3/16" thickness shall be made with 1-1/8" thick particle board.
  - 1" thickness shall be made with 1" thick particle board.
  - 11/16" thickness shall be made with 5/8" thick particle board.

Teknion Desk System Performance Specifications (cont.)

12640 - Desks

Furniture

Selection Description

---

Desks Teknion Desk System Performance Specifications

Teknion Desk System Performance Specifications (cont.)

Metal:

- Teknion refers to "Foundation", "Mica" and "Accent" for metal finish.
- Coordinate colors are solid colors that can be used to match wood prints.
- Metal paint shall be hybrid powder (Epoxy and Polyester).

Edge Trim

- All exposed core material shall be covered with edge trim.
- Thickness and material shall vary depending of applications:

Worksurface

- Source and Foundation Laminate Worksurface with "Straight" Edge Trim shall be made of 3 mm thick PP (Polypropylene), applied on all worksurface with Foundation finishes.
- Flintwood Worksurface edge Trim shall be made of 2.8mm thick wood matching (2 layers) on user and visitor edges and 1.4 mm on other edges.

Other components

- Edge trim with Source and Foundation Laminate finishes shall be made of 1.5 mm thick PP (Polypropylene)
- Edge Trim with Flintwood Worksurface shall be made of 1.4mm thick wood matching.

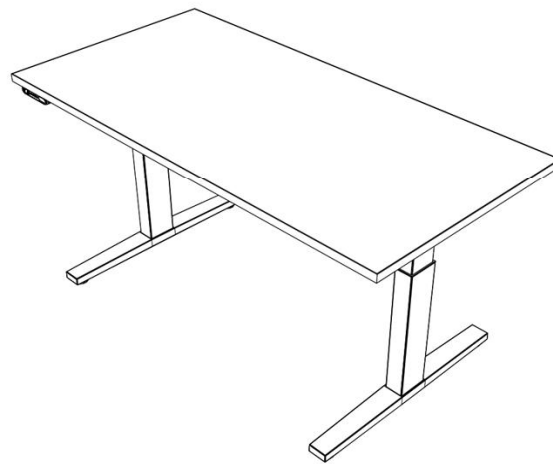
Grommets:

- Rectangular Worksurface Grommets shall be made of Polyoxymethylene (POM) and are available in Clear Anodized Coordinate (AC), Graphic Steel (L), Storm White (Q), Very White (V) and Platinum (7).
- Elliptical Worksurface Grommets shall be made of Polypropylene (PP) and are available in Foundation, Mica and Source Laminate colors.



12640 - Desks

Spec Item No.	Furniture Selection	Qty	Description
D-01	Sit / Stand Desk (60" x 30")	72	As Manufactured by Teknion  Each Desk to Consist of Expansion Items:
		<b>Qty</b>	<b>Cat. Part # Option Group Part Description</b>
		(1)	TCO LVWR1XR3060 Livello Height Adjustable Workstation Table, Counterbalance, Counterbalance LE, Right, 60"w. x 30"d. x 26" - 43"h.
			~A Surface Finishes Foundation Laminate
			2A Foundation Laminate Mercurial Walnut
			8 Edge Trim Style Flat Trim
			4A Edge Trim Colors Mercurial Walnut
			~Founda Base Finish Foundation Colors
			6 Foundation Colors Crisp Grey (Matte)
			NN Data / Electrical None
			D Switch None
			E Wire Management E-Chain

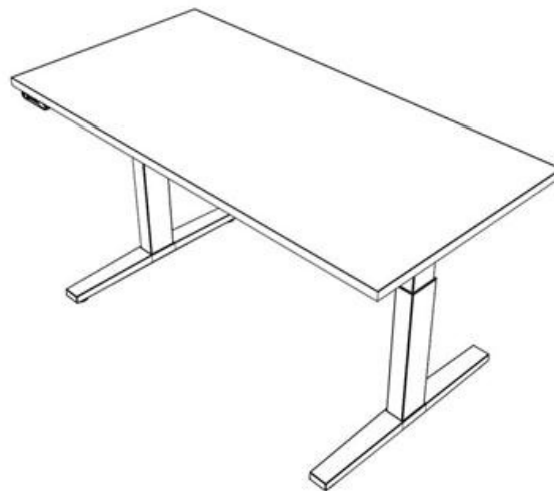


Locations:

1E66	2	1W52	3	4W43	1
1E68	2	2E22	1	4W50	1
1E70	2	2E48	2	5E24	1
1E71	2	2E50	2	5W52	2
1E75	2	2W07	18	5W59	2
1E77	2	2W14	2	5W63	2
1W21	1	2W29	1	GW35	1
1W25	1	2W50	1	GW52	10
1W30	1	3W10	1	GW85	4
1W34	1	4W31	1		

12640 - Desks

Spec Item No.	Furniture Selection	Qty	Description	
D-02	Sit / Stand Desk (48" x 30")	227	As Manufactured by Teknion	
Each Desk to Consist of Expansion Items:				
Qty	Cat.	Part #	Option Group	Part Description
(1)	TCO	LVWR1XR3048		Livello Height Adjustable Workstation Table, Counterbalance, Counterbalance LE, Right, 48"w. x 30"d. x 26" - 43"h.
		~A	Surface Finishes	Foundation Laminate
		2A	Foundation Laminate	Mercurial Walnut
		8	Edge Trim Style	Flat Trim
		4A	Edge Trim Colors	Mercurial Walnut
		~Foundat	Base Finish	Foundation Colors
		6	Foundation Colors	Crisp Grey (Matte)
		NN	Data / Electrical	None
		D	Switch	None
		E	Wire Management	E-Chain



Locations:

1E29	1	2E68	1	3W39	1
1E31	1	2E69	1	3W41	1
1E41	1	2E70	1	3W42	1
1E43	1	2E71	1	3W43	1
1E45	1	2E75	1	3W47	1
1E47	1	2E76	1	3W52	1
1E48	1	2W30	1	3W53	1

D-02 Sit / Stand Desk (48" x 30") (cont.)

12640 - Desks

D-02 Sit / Stand Desk (48" x 30") (cont.)

---

Locations:

1E49	1	2W31	1	3W54	1
1E50	1	2W32	1	3W56	1
1E51	1	2W33	1	3W57	1
1E53	1	2W34	1	3W59	1
1E55	1	2W35	1	3W61	1
1E56	1	2W37	1	3W63	1
1E57	1	2W38	1	3W65	1
1E58	1	2W39	1	3W67	1
1E59	1	2W40	1	3W69	1
1E61	1	2W41	1	4E37	1
1E62	1	2W42	1	4E39	1
1E63	1	2W43	1	4E41	1
1E64	1	2W44	1	4E43	1
1E65	1	2W45	1	4E45	1
1E67	1	2W47	1	4E47	1
1E69	1	2W49	1	4E48	1
1W15	1	2W51	1	4E49	1
1W35	1	2W52	1	4E50	1
1W36	1	2W53	1	4E51	1
1W37	1	2W54	1	4E53	1
1W38	1	2W55	1	4E54	1
1W39	1	2W56	1	4E55	1
1W40	1	2W57	1	4E56	1
1W41	1	2W58	1	4E57	1
1W42	1	2W59	1	4E58	1
1W43	1	2W61	1	4E59	1
1W45	1	2W63	1	4E61	1
1W47	1	2W65	1	4E63	1
1W49	1	2W67	1	4E64	1
1W50	1	2W69	1	4E65	1
1W51	1	2W80	1	4E66	1
1W53	1	2W82	1	4E67	1
1W54	1	2W84	1	4E69	1
1W55	1	2W86	1	4E71	1
1W56	1	2W90	1	4E73	1
1W57	1	2W92	1	4W49	1
1W58	1	3E25	1	4W51	1
1W59	1	3E37	1	4W52	1
1W61	1	3E39	1	4W53	1

D-02 Sit / Stand Desk (48" x 30") (cont.)

12640 - Desks

D-02 Sit / Stand Desk (48" x 30") (cont.)

---

Locations:

1W63	1	3E41	1	4W54	1
1W65	1	3E43	1	4W55	1
2E19	1	3E45	1	4W56	1
2E23	1	3E47	1	4W57	1
2E25	1	3E49	1	4W58	1
2E27	1	3E51	1	4W59	1
2E29	1	3E53	1	4W61	1
2E37	1	3E55	1	4W63	1
2E39	1	3E56	1	4W65	1
2E41	1	3E57	1	4W67	1
2E43	1	3E59	1	4W69	1
2E45	1	3E61	1	5W29	1
2E47	1	3E63	1	5W31	1
2E49	1	3E65	1	5W33	1
2E51	1	3E67	1	5W35	1
2E52	1	3E69	1	5W37	1
2E53	1	3E71	1	5W39	1
2E54	1	3E73	1	5W41	1
2E55	1	3E80A	1	5W43	1
2E56	1	3E80B	1	5W45	1
2E57	1	3E80C	1	5W47	1
2E58	1	3E90A	1	GW41	1
2E59	1	3E90B	1	GW43	1
2E61	1	3E90C	1	GW45	1
2E63	1	3W31	1	GW59	1
2E64	1	3W33	1	GW61	1
2E65	1	3W35	1	GW63	1
2E66	1	3W37	1	GW80	1
2E67	1			GW89	4

12640 - Desks

Spec Item No.	Furniture Selection	Qty	Description	
D-03	"L" Shaped Unit - Left Hand with Overhead Bin	70	As Manufactured by Teknion	
Each Desk to Consist of Expansion Items:				
Qty	Cat.	Part #	Option Group	Part Description
(1)	RCA	BBWAMMOR5148		Glass Markerboard - Magnetic - Wall Panel for Overhead, From Accessory Rail, 51"h x 48"w (All Thick)
		K7	Glass Finish	Very White
(1)	RCA	BLAO		USB/Data Faceplate Kit
		YN	Finish	Platinum Grey Coordinate
(1)	RCA	BLED36		Linear LED Light, 36"w
		0	Light Option	Standard
		S	Mounting Option	Standard
		0	Optional Features	Light Only
		A	Country of Installation	United States or Canada
		AC	Finish	Clear Anodized
(1)	RCA	BLUSB14		Dual USB Charging Outlet
		YN	Finish	Platinum Grey Coordinate
(1)	RCA	BMRS93048L		Rectangular Corner Desk - Full and Half Gables, Wall Access Modesty, 1-3/16" Top to extend to create a left extended corner surface (24d x 84w x 48w x 30d). Left gable is 30"d, right gable is 22"d. Extended end to be supported by a semi-supported leg.
		~A	Worksurface Finish	Foundation Laminate
		2A	Foundation Laminate	Mercurial Walnut
		6	Edge Trim Style	Straight Trim
		4A	Edge Trim Finish	Mercurial Walnut
		3A	Gable, Modesty & Grommet Finish	Mercurial Walnut
		~Found	Hardware Finish	Foundation Colors
		6	Foundation Colors	Crisp Grey (Matte)

D-03 "L" Shaped Unit - Left Hand with Overhead Bin (cont.)

12640 - Desks

D-03 "L" Shaped Unit - Left Hand with Overhead Bin (cont.)

Each Desk to Consist of:				
Qty	Cat.	Part #	Option Group	Part Description
(1)	RCA	BMWPOSR6648OC		Wall Panel Std Overhd - Std Desk - With Rail, 66"h x 48"w, Center Power/Data (Over Pri.) (1-3/16")
		~S	Panel Finish	Source Laminate
		3A	Source Laminate	Mercurial Walnut
		~Found	Accessory Rail Finish	Foundation Colors
		6	Foundation Colors	Crisp Grey (Matte)
(1)	RCA	BNSCP183028L		Metal Combo Pedestal, 18"d x 30"w x 28"h
		~Found	Drawer Front Finish	Foundation Colors
		6	Foundation Colors	Crisp Grey (Matte)
		~Found	Case Finish	Foundation Colors
		6	Foundation Colors	Crisp Grey (Matte)
		9	Pull Style	Rectilinear
		~Found	Pull Finish	Foundation Colors
		6	Foundation Colors	Crisp Grey (Matte)
		K	Key Style	Key Alike
		~	Counterweight Option	No Counterweight
(1)	RCA	BOCLB164815		Overhead Cabinet - Solid Hinged Doors, 16"d x 48"w x 15"h, Wall Panel Mounted
		~A	Door Front Finish	Foundation Laminate
		2A	Foundation Laminate	Mercurial Walnut
		4A	Edge Trim Finish	Mercurial Walnut
		~SrcLam	Case Finish	Source Case for Source Front
		3A	Source Laminate	Mercurial Walnut
		~Coordnt	Shelf Finish	Coordinate Colors
		Q9	Coordinate Colors	Mercurial Walnut Coordinate
		K	Key Style	Key Alike
(1)	RCA	BWGG24		Semi-Supported Gable with Spacers - Solid, 24"d
		3A	Gable Finish	Mercurial Walnut
		~Found	Hardware Finish	Foundation Colors
		6	Foundation Colors	Crisp Grey (Matte)

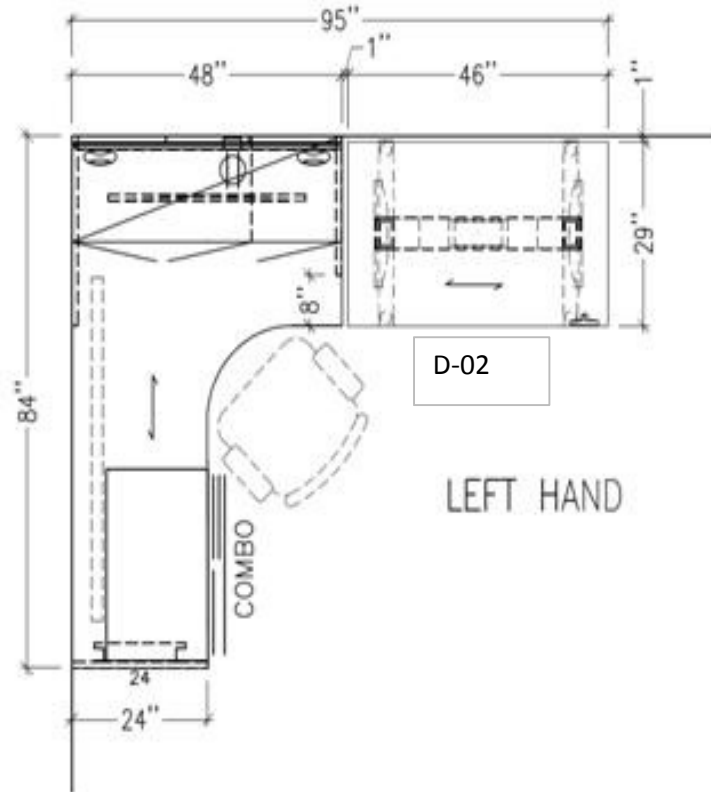
D-03 "L" Shaped Unit - Left Hand with Overhead Bin (cont.)

12640 - Desks

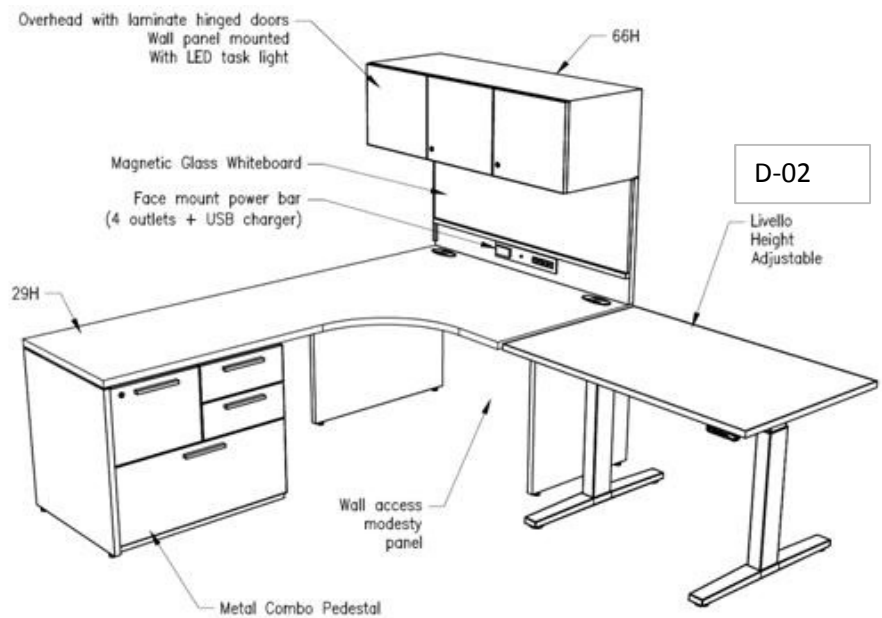
D-03 "L" Shaped Unit - Left Hand with Overhead Bin (cont.)

Size: Overall - 48" x 84"; Left End - 24"d.; Right End - 30"d.

Shown at right: D-02 and D-03



Shown at right: D-02 and D-03



D-03 "L" Shaped Unit - Left Hand with Overhead Bin (cont.)

12640 - Desks

D-03 "L" Shaped Unit - Left Hand with Overhead Bin (cont.)

---

Locations:

1E43	1	3E80B	1
1E47	1	3W35	1
1E51	1	3W39	1
1E55	1	3W52	1
1E59	1	3W53	1
1E65	1	3W57	1
1E69	1	3W61	1
1W41	1	3W65	1
1W45	1	3W67	1
1W49	1	4E37	1
1W53	1	4E43	1
1W57	1	4E47	1
1W61	1	4E51	1
1W65	1	4E54	1
2E23	1	4E55	1
2E37	1	4E59	1
2E54	1	4E63	1
2E58	1	4E65	1
2E63	1	4E66	1
2E66	1	4E69	1
2E67	1	4E71	1
2W33	1	4W49	1
2W41	1	4W50	1
2W44	1	4W53	1
2W45	1	4W54	1
2W49	1	4W57	1
2W53	1	4W61	1
2W57	1	4W65	1
2W61	1	5W29	1
2W65	1	5W35	1
2W80	1	5W41	1
3E37	1	5W45	1
3E63	1	GW41	1
3E67	1	GW45	1
3E71	1	GW61	1



12640 - Desks

Spec Item No.	Furniture Selection	Qty	Description
D-04	"L" Shaped Unit - Right Hand with Overhead Bin	71	As Manufactured by Teknion
			Each Desk to Consist of Expansion Items:
		<b>Qty</b>	<b>Cat. Part # Option Group Part Description</b>
		(1)	RCA BBWAMMOR5148 Glass Markerboard - Magnetic - Wall Panel for Overhead, From Accessory Rail, 51"h x 48"w (All Thick)
			K7 Glass Finish Very White
		(1)	RCA BLAO USB/Data Faceplate Kit
			YN Finish Platinum Grey Coordinate
		(1)	RCA BLED36 Linear LED Light, 36"w
			0 Light Option Standard
			S Mounting Option Standard
			0 Optional Features Light Only
			A Country of Installation United States or Canada
			AC Finish Clear Anodized
		(1)	RCA BLUSB144 Dual USB Charging Outlet
			YN Finish Platinum Grey Coordinate
		(1)	RCA BMRS93048R Rectangular Corner Desk - Full and Half Gables, Wall Access Modesty, 1-3/16" Top to extend to create a right extended corner surface (30d x 48w x 84w x 24d). Left gable is 22"d, right gable is 30"d. Extended end to be supported by a semi-supported leg.
			~A Worksurface Finish Foundation Laminate
			2A Foundation Laminate Mercurial Walnut
			6 Edge Trim Style Straight Trim
			4A Edge Trim Finish Mercurial Walnut
			3A Gable, Modesty & Grommet Finish Mercurial Walnut
			~Found Hardware Finish Foundation Colors
			6 Foundation Colors Crisp Grey (Matte)

D-04 "L" Shaped Unit - Right Hand with Overhead Bin (cont.)

12640 - Desks

D-04 "L" Shaped Unit - Right Hand with Overhead Bin (cont.)

Each Desk to Consist of:				
Qty	Cat.	Part #	Option Group	Part Description
(1)	RCA	BMWPOSR6648OC		Wall Panel Std Overhd - Std Desk - With Rail, 66"h x 48"w, Center Power/Data (Over Pri.) (1-3/16")
		~S	Panel Finish	Source Laminate
		3A	Source Laminate	Mercurial Walnut
		~Found	Accessory Rail Finish	Foundation Colors
		6	Foundation Colors	Crisp Grey (Matte)
(1)	RCA	BNSCP183028R		Metal Combo Pedestal, 18"d x 30" w x 28"h
		~Found	Drawer Front Finish	Foundation Colors
		6	Foundation Colors	Crisp Grey (Matte)
		~Found	Case Finish	Foundation Colors
		6	Foundation Colors	Crisp Grey (Matte)
		9	Pull Style	Rectilinear
		~Found	Pull Finish	Foundation Colors
		6	Foundation Colors	Crisp Grey (Matte)
		K	Key Style	Key Alike
		~	Counterweight Option	No Counterweight
(1)	RCA	BOCLB164815		Overhead Cabinet - Solid Hinged Doors, 16"d x 48"w x 15"h, Wall Panel Mounted
		~A	Door Front Finish	Foundation Laminate
		2A	Foundation Laminate	Mercurial Walnut
		4A	Edge Trim Finish	Mercurial Walnut
		~SrcLam	Case Finish	Source Case for Source Front
		3A	Source Laminate	Mercurial Walnut
		~Coordnt	Shelf Finish	Coordinate Colors
		Q9	Coordinate Colors	Mercurial Walnut Coordinate
		K	Key Style	Key Alike
(1)	RCA	BWGG24		Semi-Supported Gable with Spacers - Solid, 24"d
		3A	Gable Finish	Mercurial Walnut
		~Found	Hardware Finish	Foundation Colors
		6	Foundation Colors	Crisp Grey (Matte)

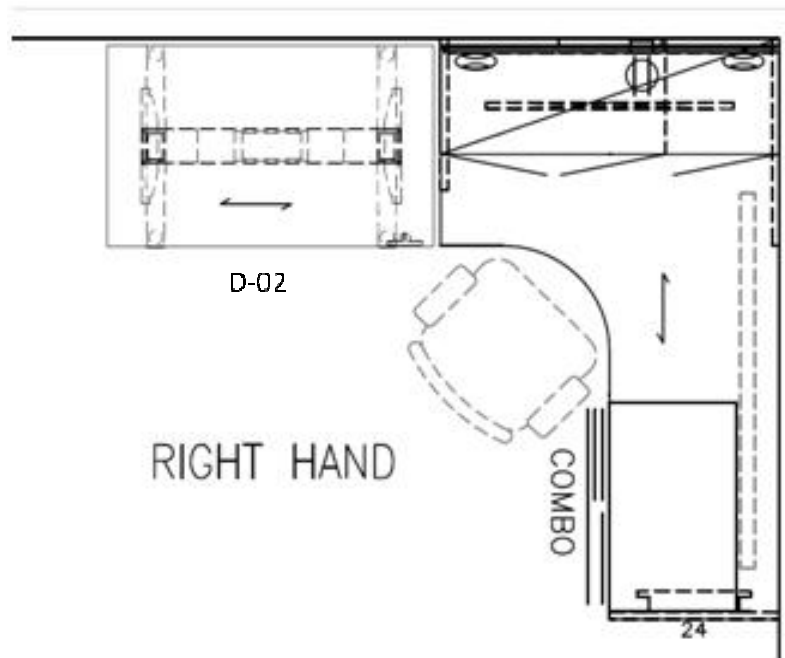
D-04 "L" Shaped Unit - Right Hand with Overhead Bin (cont.)

12640 - Desks

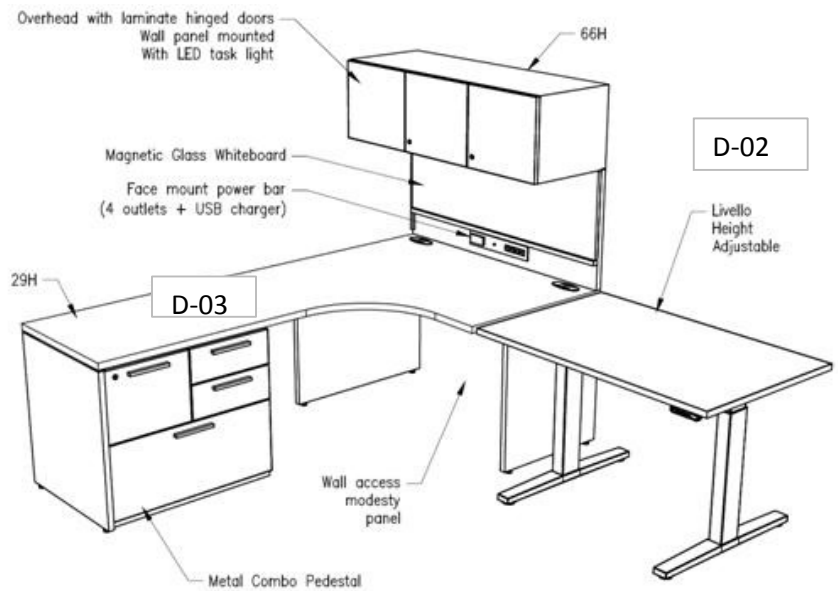
D-04 "L" Shaped Unit - Right Hand with Overhead Bin (cont.)

Size: Overall - 48" x 84"; Left End - 30"d.; Right End - 24"d.

Shown at right: D-02 and D-04



Shown at right: D-02 and D-03



Locations:

1E41	1	2W38	1	4E39	1
1E45	1	2W43	1	4E41	1
1E49	1	2W47	1	4E45	1
1E53	1	2W51	1	4E49	1
1E57	1	2W55	1	4E53	1

D-04 "L" Shaped Unit - Right Hand with Overhead Bin (cont.)

12640 - Desks

D-04 "L" Shaped Unit - Right Hand with Overhead Bin (cont.)

---

Locations (cont.):

1E61	1	2W59	1	4E57	1
1E67	1	2W63	1	4E61	1
1W35	1	2W67	1	4E64	1
1W36	1	2W69	1	4E67	1
1W43	1	2W86	1	4E73	1
1W47	1	2W92	1	4W43	1
1W51	1	3E39	1	4W51	1
1W55	1			4W52	1
1W59	1	3E61	1	4W55	1
1W63	1	3E65	1	4W56	1
2E25	1	3E73	1	4W59	1
2E29	1	3E90B	1	4W63	1
2E39	1	3W37	1	4W67	1
2E52	1	3W41	1	4W69	1
2E61	1	3W43	1	5W43	1
2E64	1	3W47	1	5W47	1
2E65	1	3W59	1	GW43	1
2E76	1	3W63	1	GW59	1
2W35	1	3W69	1	GW63	1

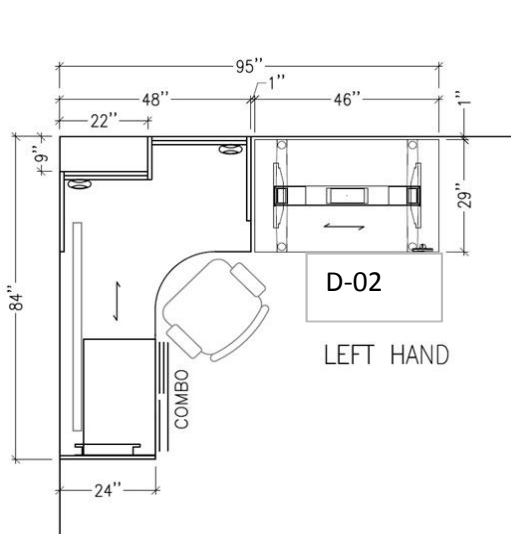
12640 - Desks

Spec Item No.	Furniture Selection	Qty	Description	
D-05	"L" Shaped Unit - Left Hand; Notched	23	As Manufactured by Teknion	
Each Desk to Consist of Expansion Items:				
Qty	Cat.	Part #	Option Group	Part Description
(1)	RCA	BMRS93048L		Rectangular Corner Desk - Full and Half Gables, Wall Access Modesty, 1-3/16" Top to extend to create a left extended corner surface (24d x 84w x 48w x 30d). Left gable is 30"d, right gable is 22"d. Extended end to be supported by a semi-supported leg. Corner to have 9"d x 22"w notched cut out for column access with finished edges.
		~A	Worksurface Finish	Foundation Laminate
		2A	Foundation Laminate	Mercurial Walnut
		6	Edge Trim Style	Straight Trim
		4A	Edge Trim Finish	Mercurial Walnut
		3A	Gable, Modesty & Grommet Finish	Mercurial Walnut
		~Found	Hardware Finish	Foundation Colors
		6	Foundation Colors	Crisp Grey (Matte)
(1)	RCA	BWGG24		Semi-Supported Gable with Spacers - Solid, 24"d
		3A	Gable Finish	Mercurial Walnut
		~Found	Hardware Finish	Foundation Colors
		6	Foundation Colors	Crisp Grey (Matte)
(1)	RCA	BNSCP183028L		Metal Combo Pedestal, 18"d x 30" w x 28"h
		~Found	Drawer Front Finish	Foundation Colors
		6	Foundation Colors	Crisp Grey (Matte)
		~Found	Case Finish	Foundation Colors
		6	Foundation Colors	Crisp Grey (Matte)
		9	Pull Style	Rectilinear
		~Found	Pull Finish	Foundation Colors
		6	Foundation Colors	Crisp Grey (Matte)
		K	Key Style	Key Alike
		~	Counterweight Option	No Counterweight

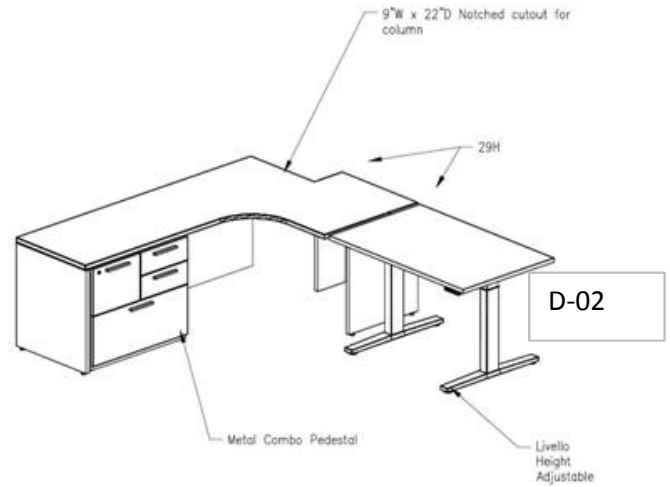
D-05 (cont.)

12640 - Desks  
 D-05 (cont.)

Size: Overall - 84" x 48"; Left End - 24"d.; Right End - 30"d.



Shown above: D-02 and D-05



Shown above: D-02 and D-05

Locations:

1E29	1	2W56	1
1E56	1	3E25	1
1E62	1	3E41	1
1W37	1	3E49	1
2E41	1	3E53	1
2E45	1	3E57	1
2E49	1	3E80A	1
2E53	1	3W31	1
2W31	1	5W31	1
2W37	1	5W37	1
2W52	1	3E45	1
		2E57	1

12640 - Desks

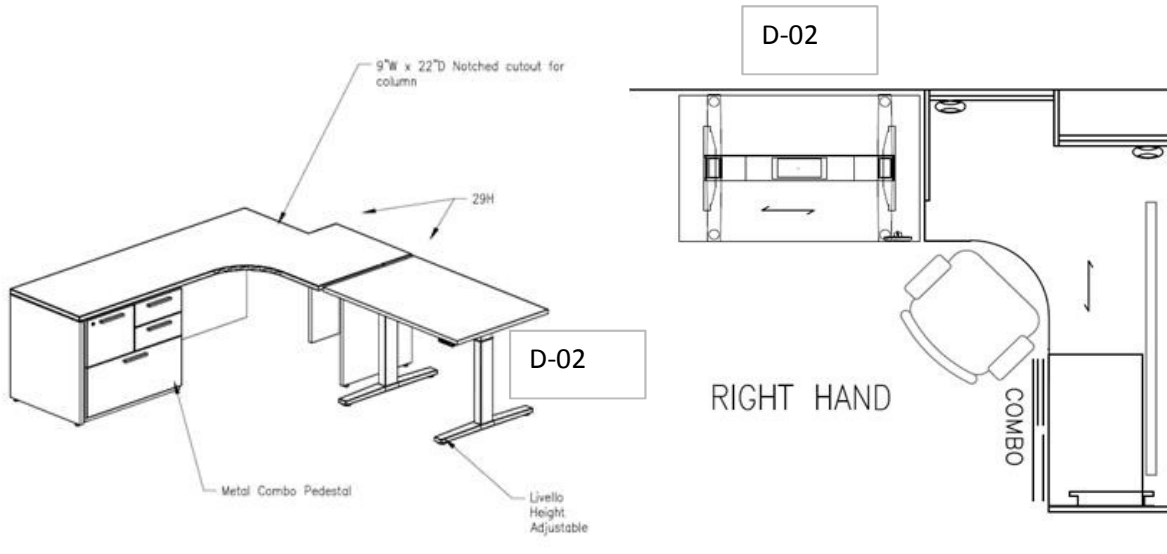
Spec Item No.	Furniture Selection	Qty	Description	
D-06	"L" Shaped Unit - Right Hand; Notched	25	As Manufactured by Teknion	
Each Desk to Consist of Expansion Items:				
Qty	Cat.	Part #	Option Group	Part Description
(1)	RCA	BMRS93048R		Rectangular Corner Desk - Full and Half Gables, Wall Access Modesty, 1-3/16" Top to extend to create a right extended corner surface (30d x 48w x 84w x 24d). Left gable is 22"d, right gable is 30"d. Extended end to be supported by a semi-supported leg. Corner to have 9"d x 22"w notched cut out for column access with finished edges.
	~A		Worksurface Finish	Foundation Laminate
	2A		Foundation Laminate	Mercurial Walnut
	6		Edge Trim Style	Straight Trim
	4A		Edge Trim Finish	Mercurial Walnut
	3A		Gable, Modesty & Grommet Finish	Mercurial Walnut
	~Found		Hardware Finish	Foundation Colors
	6		Foundation Colors	Crisp Grey (Matte)
(1)	RCA	BWGG24		Semi-Supported Gable with Spacers - Solid, 24"d
	3A		Gable Finish	Mercurial Walnut
	~Found		Hardware Finish	Foundation Colors
	6		Foundation Colors	Crisp Grey (Matte)
(1)	RCA	BNSCP183028R		Metal Combo Pedestal, 18"d x 30" w x 28"h
	~Found		Drawer Front Finish	Foundation Colors
	6		Foundation Colors	Crisp Grey (Matte)
	~Found		Case Finish	Foundation Colors
	6		Foundation Colors	Crisp Grey (Matte)
	9		Pull Style	Rectilinear
	~Found		Pull Finish	Foundation Colors
	6		Foundation Colors	Crisp Grey (Matte)
	K		Key Style	Key Alike
	~		Counterweight Option	No Counterweight

D-06 (cont.)

12640 - Desks

D-06 (cont.)

Size: Overall - 84" x 48"; Left End - 30"d.; Right End - 24"d.



Shown above: D-02 and D-05

Shown above: D-02 and D-06

Locations:

1E31	1	2W54	1
1E50	1	2W82	1
1E64	1	3E43	1
1W39	1	3E47	1
1W54	1	3E51	1
2E19	1	3E55	1
2E43	1	3E59	1
2E47	1	3E69	1
2E51	1	3E90C	1
2E55	1	3W33	1
		3W54	1
2E59	1	5W33	1
2W39	1	5W39	1



12640 - Desks

Spec Item No.	Furniture Selection	Qty	Description
D-07	Desk "U" Unit with Notched Corner and Sit/Stand "P" Shaped Desk	5	As Manufactured by Teknion  Each Desk to Consist of Expansion Items:
		<b>Qty</b>	<b>Cat. Part # Option Group Part Description</b>
		(1)	TCO LVWR9ER2466 Livello Height Adjustable P-Shape Workstation Table, Extended Range Electric, 24"d x 66"w x 30"d Left Orientation, 30"d rounded end on the right, Top thickness 1-3/16"
			~A Surface Finishes Foundation Laminate
			2A Foundation Laminate Mercurial Walnut
			6 Edge Trim Style Straight Trim
			4A Edge Trim Colors Mercurial Walnut
			~Foundat Base Finish Foundation Colors
			6 Foundation Colors Crisp Grey (Matte)
			NN Data / Electrical None
			D Switch Display with Up/Down Memory
			E Wire Management E-Chain
		(1)	RCA BBWAMMAR6624 Glass Markerboard - Magnetic - Wall Panel, From Accessory Rail, 66"h x 24"w (All Thick)
			K7 Glass Finish Very White
		(1)	RCA BLAO USB/Data Faceplate Kit
			YN Finish Platinum Grey Coordinate
		(1)	RCA BLUSB144 Dual USB Charging Outlet
			YN Finish Platinum Grey Coordinate
		(1)	RCA BWGLMS24 Semi-Supported Leg - Solid, 29"h, 24"d (1-3/16")
			~S Gable Finish Source Laminate
			3A Source Laminate Mercurial Walnut
		(1)	RCA BBWAMMOR5148 Glass Markerboard - Magnetic - Wall Panel for Overhead, From Accessory Rail, 51"h x 48"w (All Thick)
			K7 Glass Finish Very White

D-07 Desk "U" Unit with Notched Corner etc. (cont.)

12640 - Desks

D-07 Desk "U" Unit with Notched Corner etc. (cont.)

Each Desk to Consist of:

Qty	Cat.	Part #	Option Group	Part Description
(1)	RCA	BMWPAR6624NN		Wall Panel - With Rail, 66"h, 24"w, No Power/Data (1-3/16")
		~S	Panel Finish	Source Laminate
		3A	Source Laminate	Mercurial Walnut
		~Found	Top and Accessory Rail F	Foundation Colors
		6	Foundation Colors	Crisp Grey (Matte)
(1)	RCA	BMWPOSR6648OC		Wall Panel Std Overhd - Std Desk - With Rail, 66"h x 48"w, Center Power/Data (Over Pri.) (1-3/16")
		~S	Panel Finish	Source Laminate
		3A	Source Laminate	Mercurial Walnut
		~Found	Accessory Rail Finish	Foundation Colors
		6	Foundation Colors	Crisp Grey (Matte)
(1)	RCA	BMRWL2460N		Rectangular Worksurface, 24"d x 60"w, No Grommet (1-3/16")
		F	Support Left Side	Flush Plate
		E	Support Right Side	Semi-Supported Leg (Not Included)
		~A	Worksurface Finish	Foundation Laminate
		2A	Foundation Laminate	Mercurial Walnut
		6	Edge Trim Style	Straight Trim
		4A	Edge Trim Finish	Mercurial Walnut
(1)	RCA	BOCLB164815		Overhead Cabinet - Solid Hinged Doors, 16"d x 48"w x 15"h, Wall Panel Mounted
		~S	Door Front Finish	Source Laminate
		3A	Source Laminate Front	Mercurial Walnut
		4A	Edge Trim Finish	Mercurial Walnut
		~SrcLam	Case Finish	Source Case for Source Front
		3A	Source Laminate	Mercurial Walnut
		~Coordnt	Shelf Finish	Coordinate Colors
		Q9	Coordinate Colors	Mercurial Walnut Coordinate
		K	Key Style	Key Alike
(1)	RCA	BLED36		Linear LED Light, 36"w
		0	Light Option	Standard
		S	Mounting Option	Standard
		0	Optional Features	Light Only
		A	Country of Installation	United States or Canada
		AC	Finish	Clear Anodized

D-07 Desk "U" Unit with Notched Corner etc. (cont.)

12640 - Desks

D-07 Desk "U" Unit with Notched Corner etc. (cont.)

Each Desk to Consist of:

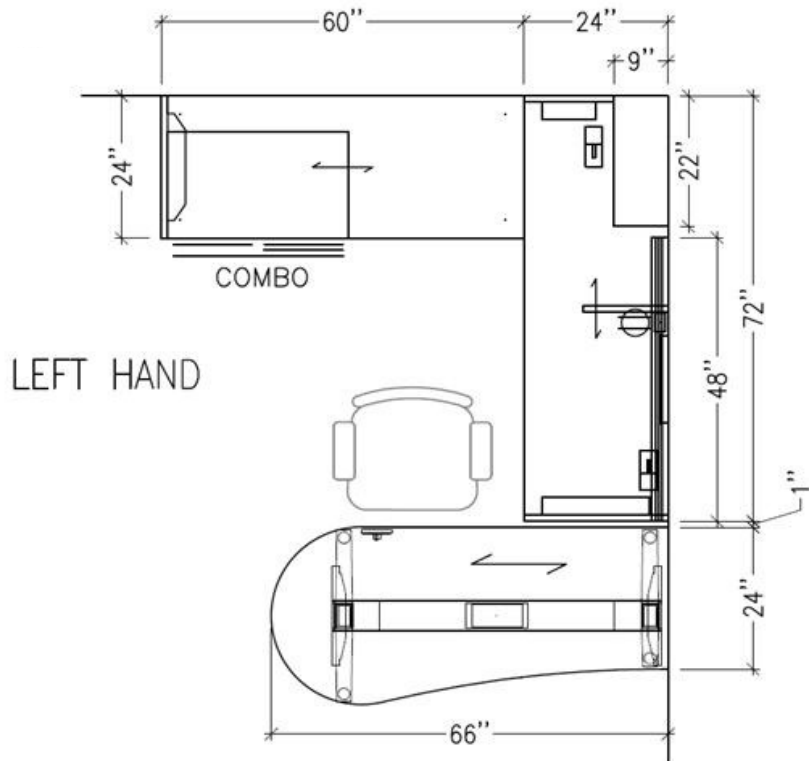
Qty	Cat.	Part #	Option Group	Part Description
(1)	RCA	BMMSDH24072B		Secondary Desk - High, 24"d x 072"w, Both Ends - Rectangular (1-3/16") - Left end to have 9"d x 22"w notched cut out for column access with finished edges
		~A	Worksurface Finish	Foundation Laminate
		2A	Foundation Laminate	Mercurial Walnut
		6	Edge Trim Style	Straight Trim
		4A	Edge Trim Finish	Mercurial Walnut
		~S	Gable Finish	Source Laminate
		3A	Source Laminate	Mercurial Walnut
		B	Grommet Finish	Soft Gris (Matte)
(1)	RCA	BNSCP183028L		Metal Combo Pedestal, 18"d x 30" w x 28"h
		~Found	Drawer Front Finish	Foundation Colors
		6	Foundation Colors	Crisp Grey (Matte)
		~Found	Case Finish	Foundation Colors
		6	Foundation Colors	Crisp Grey (Matte)
		9	Pull Style	Rectilinear
		~Found	Pull Finish	Foundation Colors
		6	Foundation Colors	Crisp Grey (Matte)
		K	Key Style	Key Alike
		~	Counterweight Option	No Counterweight

Size: Overall - 66" x 48"; Left End - 24"d.

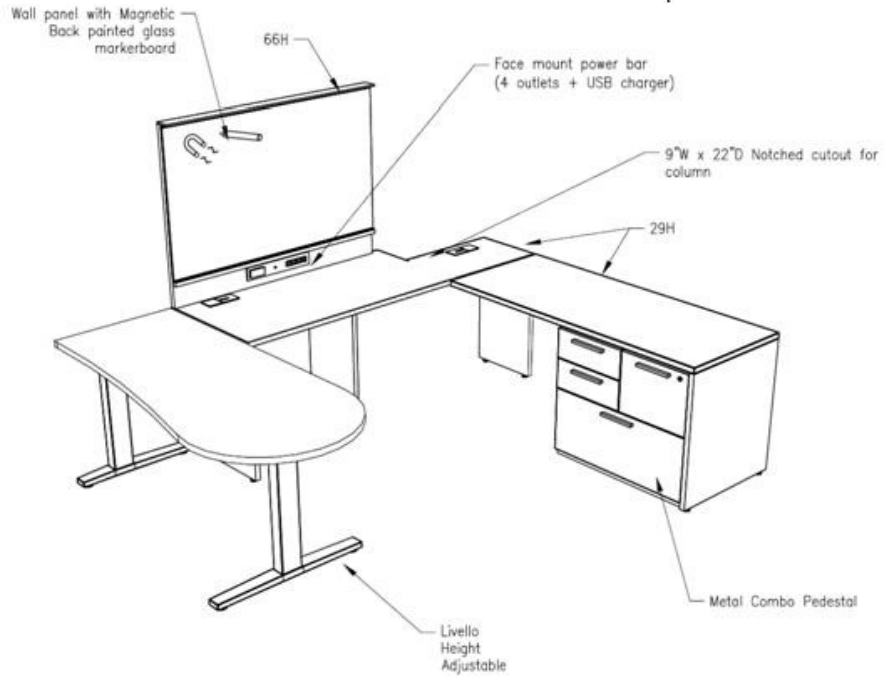
D-07 Desk "U" Unit with Notched Corner etc. (cont.)

12640 - Desks

D-07 Desk "U" Unit with Notched Corner etc. (cont.)



D-07 shown at right



D-08 shown at right

Locations:

3W51	1	5W51	1
3W55	1	5W55	1
4W40	1		

12640 - Desks

Spec Item No.	Furniture Selection	Qty	Description
D-08	Desk "U" Unit with Notched Corner and Sit/Stand "P" Shaped Desk	10	As Manufactured by Teknion Each Desk to Consist of Expansion Items:
		<b>Qty</b>	<b>Cat. Part # Option Group Part Description</b>
		(1)	TCO LVWR9EL2466 Livello Height Adjustable P-Shape Workstation Table, Extended Range Elec, 24"d x 66"w x 30"d Right Orientation, 30"d rounded end on the left, Top thickness 1-3/16"
			~A Surface Finishes Foundation Laminate
			2A Foundation Laminate Mercurial Walnut
			6 Edge Trim Style Straight Trim
			4A Edge Trim Colors Mercurial Walnut
			~Foundat Base Finish Foundation Colors
			6 Foundation Colors Crisp Grey (Matte)
			NN Data / Electrical None
			D Switch Display with Up/Down Memory
			E Wire Management E-Chain
		(1)	RCA BBWAMMAR6624 Glass Markerboard - Magnetic - Wall Panel, From Accessory Rail, 66"h x 24"w (All Thick)
			K7 Glass Finish Very White
		(1)	RCA BLAO USB/Data Faceplate Kit
			YN Finish Platinum Grey Coordinate
		(1)	RCA BLUSB144 Dual USB Charging Outlet
			YN Finish Platinum Grey Coordinate
		(1)	RCA BWGLMS24 Semi-Supported Leg - Solid, 29"h, 24"d (1-3/16")
			~S Gable Finish Source Laminate
			3A Source Laminate Mercurial Walnut
		(1)	RCA BBWAMMOR5148 Glass Markerboard - Magnetic - Wall Panel for Overhead, From Accessory Rail, 51"h x 48"w (All Thick)
			K7 Glass Finish Very White

D-08 Desk "U" Unit with Notched Corner etc. (cont.)

12640 - Desks

D-08 Desk "U" Unit with Notched Corner etc. (cont.)

Each Desk to Consist of:

Qty	Cat.	Part #	Option Group	Part Description
(1)	RCA	BMWPAR6624NN		Wall Panel - With Rail, 66"h, 24"w, No Power/Data (1-3/16")
		~S	Panel Finish	Source Laminate
		3A	Source Laminate	Mercurial Walnut
		~Found	Top and Accessory Rail F	Foundation Colors
		6	Foundation Colors	Crisp Grey (Matte)
(1)	RCA	BMWPOSR6648OC		Wall Panel Std Overhd - Std Desk - With Rail, 66"h x 48"w, Center Power/Data (Over Pri.) (1-3/16")
		~S	Panel Finish	Source Laminate
		3A	Source Laminate	Mercurial Walnut
		~Found	Accessory Rail Finish	Foundation Colors
		6	Foundation Colors	Crisp Grey (Matte)
(1)	RCA	BMRWL2460N		Rectangular Worksurface, 24"d x 60"w, No Grommet (1-3/16")
		F	Support Left Side	Flush Plate
		E	Support Right Side	Semi-Supported Leg (Not Included)
		~A	Worksurface Finish	Foundation Laminate
		2A	Foundation Laminate	Mercurial Walnut
		6	Edge Trim Style	Straight Trim
		4A	Edge Trim Finish	Mercurial Walnut
(1)	RCA	BOCLB164815		Overhead Cabinet - Solid Hinged Doors, 16"d x 48"w x 15"h, Wall Panel Mounted
		~S	Door Front Finish	Source Laminate
		3A	Source Laminate Front	Mercurial Walnut
		4A	Edge Trim Finish	Mercurial Walnut
		~SrcLam	Case Finish	Source Case for Source Front
		3A	Source Laminate	Mercurial Walnut
		~Coordnt	Shelf Finish	Coordinate Colors
		Q9	Coordinate Colors	Mercurial Walnut Coordinate
		K	Key Style	Key Alike

D-08 Desk "U" Unit with Notched Corner etc. (cont.)

12640 - Desks

D-08 Desk "U" Unit with Notched Corner etc. (cont.)

Each Desk to Consist of:

Qty	Cat.	Part #	Option Group	Part Description
(1)	RCA	BLED36		Linear LED Light, 36"w
		0	Light Option	Standard
		S	Mounting Option	Standard
		0	Optional Features	Light Only
		A	Country of Installation	United States or Canada
		AC	Finish	Clear Anodized
(1)	RCA	BMMSDH24072B		Secondary Desk - High, 24"d x 072"w, Both Ends - Rectangular (1-3/16") - Right end to have 9"d x 22"w notched cut out for column access with finished edges
		~A	Worksurface Finish	Foundation Laminate
		2A	Foundation Laminate	Mercurial Walnut
		6	Edge Trim Style	Straight Trim
		4A	Edge Trim Finish	Mercurial Walnut
		~S	Gable Finish	Source Laminate
		3A	Source Laminate	Mercurial Walnut
		B	Grommet Finish	Soft Gris (Matte)
(1)	RCA	BNSCP183028R		Metal Combo Pedestal, 18"d x 30" w x 28"h
		~Found	Drawer Front Finish	Foundation Colors
		6	Foundation Colors	Crisp Grey (Matte)
		~Found	Case Finish	Foundation Colors
		6	Foundation Colors	Crisp Grey (Matte)
		9	Pull Style	Rectilinear
		~Found	Pull Finish	Foundation Colors
		6	Foundation Colors	Crisp Grey (Matte)
		K	Key Style	Key Alike
		~	Counterweight Option	No Counterweight

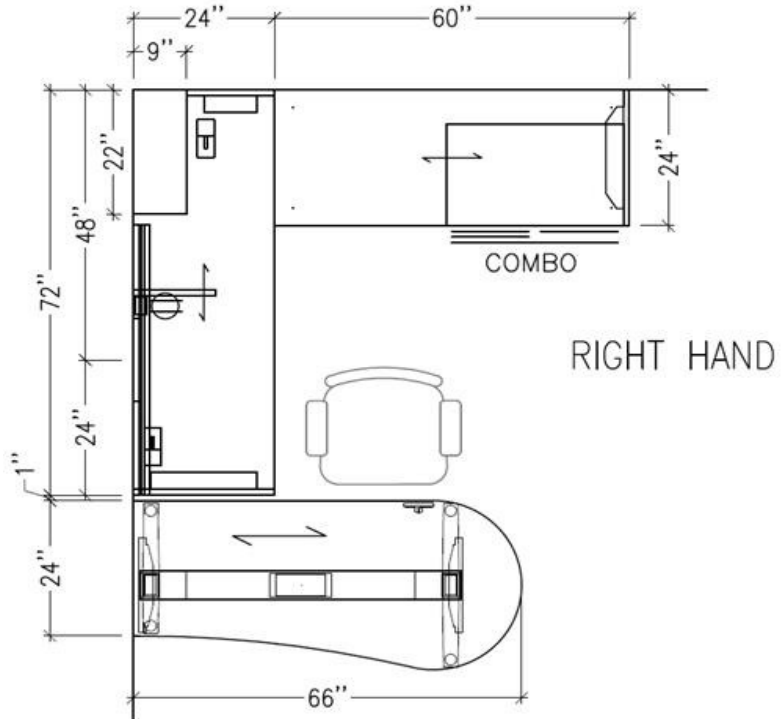
Size - Overall - 66" x 48"; Right End - 24"d.

D-08 Desk "U" Unit with Notched Corner etc. (cont.)

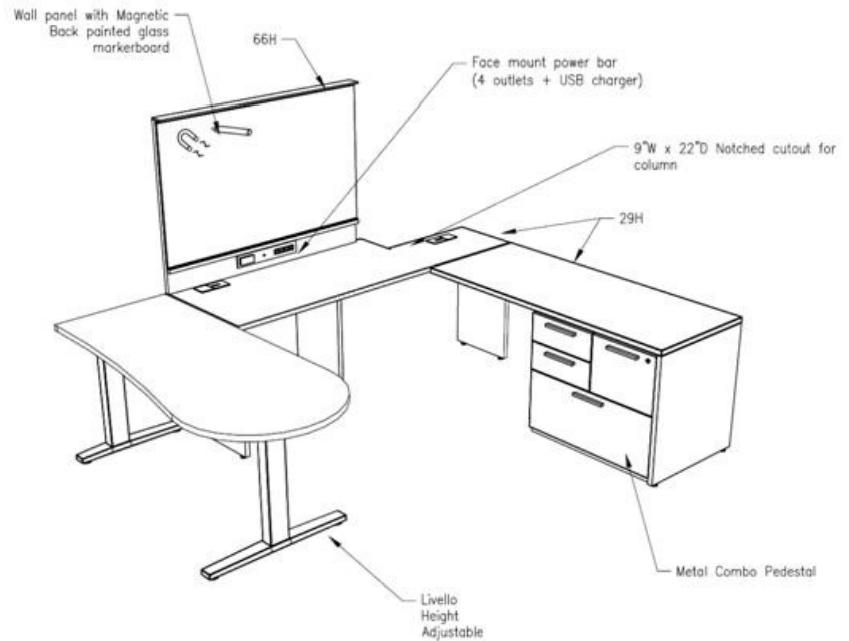
12640 - Desks

D-08 Desk "U" Unit with Notched Corner etc. (cont.)

D-08 shown at right



D-08 shown at right



Locations:

3W45	1	5W57	1
3W49	1	5W61	1
4W38	1	5W82	1
5W49	1	GW49	1
5W53	1	GW53	1



12640 - Desks

Spec Item No.	Furniture Selection	Qty	Description	
D-09	"U" Shaped Unit - Left Hand with Overhead Bin	7	As Manufactured by Teknion	
Each Desk to Consist of Expansion Items:				
Qty	Cat.	Part #	Option Group	Part Description
(1)	RCA	BBWAMMAR6648		Glass Markerboard - Magnetic - Wall Panel, From Accessory Rail, 66"h x 48"w (All Thick)
		K7	Glass Finish	Very White
(1)	RCA	BLAO		USB/Data Faceplate Kit
		YN	Finish	Platinum Grey Coordinate
(1)	RCA	BLUSB144		Dual USB Charging Outlet
		YN	Finish	Platinum Grey Coordinate
(1)	RCA	BWGLMS24		Semi-Supported Leg - Solid, 29"h, 24"d (1-3/16")
		~S	Gable Finish	Source Laminate
		3A	Source Laminate	Mercurial Walnut
(1)	RCA	BBWAMMOR5148		Glass Markerboard - Magnetic - Wall Panel for Overhead, From Accessory Rail, 51"h x 48"w (All Thick)
		K7	Glass Finish	Very White
(1)	RCA	BMRWC2460N		Cross Grain Rectangular Worksurface, 24"d x 60"w, No Grommet (1-3/16")
		E	Support Left Side	Semi-Supported Leg (Not Included)
		F	Support Right Side	Flush Plate
		~A	Worksurface Finish	Foundation Laminate
		2A	Foundation Laminate	Mercurial Walnut
		6	Edge Trim Style	Straight Trim
		4A	Edge Trim Finish	Mercurial Walnut

D-09 (cont.)

12640 - Desks

D-09 (cont.)

Each Desk to Consist of:

Qty	Cat.	Part #	Option Group	Part Description
(1)	RCA	BMWPAR6648OC		Wall Panel - With Rail, 66"h, 48"w, Center Power/Data (Over Pri.) (1-3/16")
		~S	Panel Finish	Source Laminate
		3A	Source Laminate	Mercurial Walnut
		~Found	Top and Accessory Rail F	Foundation Colors
		6	Foundation Colors	Crisp Grey (Matte)
(1)	RCA	BMWPOSR6648NN		Wall Panel Std Overhd - Std Desk - With Rail, 66"h x 48"w, No Power/Data (1-3/16")
		~S	Panel Finish	Source Laminate
		3A	Source Laminate	Mercurial Walnut
		~Found	Accessory Rail Finish	Foundation Colors
		6	Foundation Colors	Crisp Grey (Matte)
(1)	RCA	BMMSDH2496B		Secondary Desk - Standard Desk Height, 24"d x 96"w, Both Ends grommets - Centered Half Gable - Rectangular (1-3/16")
		~A	Worksurface Finish	Foundation Laminate
		2A	Foundation Laminate	Mercurial Walnut
		6	Edge Trim Style	Straight Trim
		4A	Edge Trim Finish	Mercurial Walnut
		~S	Gable Finish	Source Laminate
		3A	Source Laminate	Mercurial Walnut
		7	Grommet Finish	Platinum (Satin)
(1)	RCA	BLED36		Linear LED Light, 36"w
		0	Light Option	Standard
		S	Mounting Option	Standard
		0	Optional Features	Light Only
		A	Country of Installation	United States or Canada
		AC	Finish	Clear Anodized

D-09 (cont.)

12640 - Desks

D-09 (cont.)

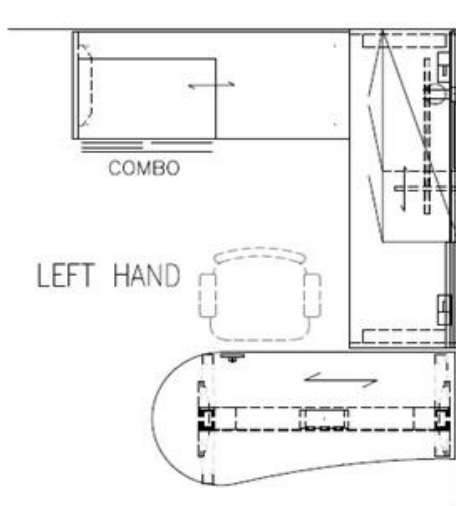
Each Desk to Consist of:

Qty	Cat.	Part #	Option Group	Part Description
(1)	RCA	BOCLB164815		Overhead Cabinet - Solid Hinged Doors, 16"d x 48"w x 15"h, Wall Panel Mounted
		~S	Door Front Finish	Source Laminate
		3A	Source Laminate Front	Mercurial Walnut
		4A	Edge Trim Finish	Mercurial Walnut
		~SrcLam	Case Finish	Source Case for Source Front
		3A	Source Laminate	Mercurial Walnut
		~Coordnt	Shelf Finish	Coordinate Colors
		Q9	Coordinate Colors	Mercurial Walnut Coordinate
		K	Key Style	Key Alike
(1)	RCA	BNSCP183028L		Metal Combo Pedestal, 18"d x 30" w x 28"h
		~Found	Drawer Front Finish	Foundation Colors
		6	Foundation Colors	Crisp Grey (Matte)
		~Found	Case Finish	Foundation Colors
		6	Foundation Colors	Crisp Grey (Matte)
		9	Pull Style	Rectilinear
		~Found	Pull Finish	Foundation Colors
		6	Foundation Colors	Crisp Grey (Matte)
		K	Key Style	Key Alike
		~	Counterweight Option	No Counterweight
(1)	TCO	LVWR9ER2466		Livello Height Adjustable P-Shape Workstation Table, Extended Range Electric, 24"d x 66"w x 30"d Left Orientation, 30"d rounded end on the right, Top thickness 1-3/16"
		~A	Surface Finishes	Foundation Laminate
		2A	Foundation Laminate	Mercurial Walnut
		6	Edge Trim Style	Straight Trim
		4A	Edge Trim Colors	Mercurial Walnut
		~Foundat	Base Finish	Foundation Colors
		6	Foundation Colors	Crisp Grey (Matte)
		NN	Data / Electrical	None
		D	Switch	Display with Up/Down Memory
		E	Wire Management	E-Chain

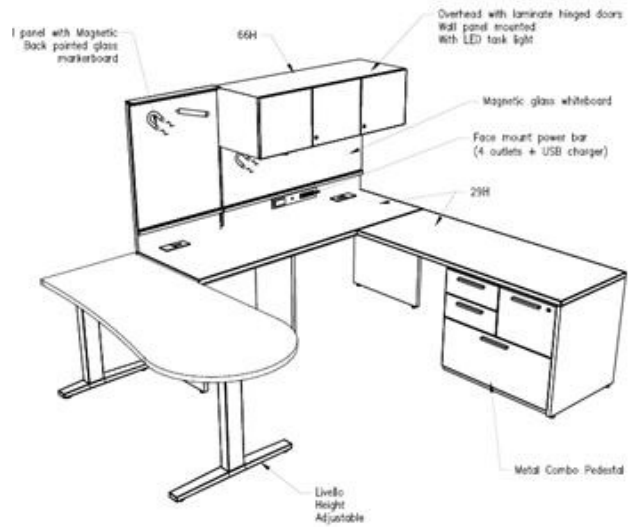
D-09 (cont.)

12640 - Desks

D-09 (cont.)



Shown above: D-09  
 See D-10 Spec Sheet for Dimensions



Shown above: D-10

Locations:

2E20	1	5E12	1
2E78	1	5W54	1
4W36	1	5W58	1
4W39	1		

12640 - Desks

Spec Item No.	Furniture Selection	Qty	Description
D-10	"U" Shaped Unit - Right Hand with Overhead Bin	7	As Manufactured by Teknion
Each Desk to Consist of Expansion Items:			
		<b>Qty</b>	<b>Cat. Part # Option Group Part Description</b>
		(1)	RCA BBWAMMAR6648 Glass Markerboard - Magnetic - Wall Panel, From Accessory Rail, 66"h x 48"w (All Thick)
			K7 Glass Finish Very White
		(1)	RCA BLAO USB/Data Faceplate Kit
			YN Finish Platinum Grey Coordinate
		(1)	RCA BLUSB144 Dual USB Charging Outlet
			YN Finish Platinum Grey Coordinate
		(1)	RCA BWGLMS24 Semi-Supported Leg - Solid, 29"h, 24"d (1-3/16")
			~S Gable Finish Source Laminate
			3A Source Laminate Mercurial Walnut
		(1)	RCA BBWAMMOR5148 Glass Markerboard - Magnetic - Wall Panel for Overhead, From Accessory Rail, 51"h x 48"w (All Thick)
			K7 Glass Finish Very White
		(1)	RCA BMRWC2460N Cross Grain Rectangular Worksurface, 24"d x 60"w, No Grommet (1-3/16")
			F Support Left Side Flush Plate
			E Support Right Side Semi-Supported Leg (Not Included)
			~A Worksurface Finish Foundation Laminate
			2A Foundation Laminate Mercurial Walnut
			6 Edge Trim Style Straight Trim
			4A Edge Trim Finish Mercurial Walnut

D-10 (cont.)

12640 - Desks

D-10 (cont.)

Each Desk to Consist of:

Qty	Cat.	Part #	Option Group	Part Description
(1)	RCA	BMWPAR6648OC		Wall Panel - With Rail, 66"h, 48"w, Center Power/Data (Over Pri.) (1-3/16")
		~S	Panel Finish	Source Laminate
		3A	Source Laminate	Mercurial Walnut
		~Found	Top and Accessory Rail F	Foundation Colors
		6	Foundation Colors	Crisp Grey (Matte)
(1)	RCA	BMWPOSR6648NN		Wall Panel Std Overhd - Std Desk - With Rail, 66"h x 48"w, No Power/Data (1-3/16")
		~S	Panel Finish	Source Laminate
		3A	Source Laminate	Mercurial Walnut
		~Found	Accessory Rail Finish	Foundation Colors
		6	Foundation Colors	Crisp Grey (Matte)
(1)	RCA	BMMSDH2496B		Secondary Desk - Standard Desk Height, 24"d x 96"w, Both Ends grommets - Centered Half Gable - Rectangular (1-3/16")
		~A	Worksurface Finish	Foundation Laminate
		2A	Foundation Laminate	Mercurial Walnut
		6	Edge Trim Style	Straight Trim
		4A	Edge Trim Finish	Mercurial Walnut
		~S	Gable Finish	Source Laminate
		3A	Source Laminate	Mercurial Walnut
		7	Grommet Finish	Platinum (Satin)
(1)	RCA	BLED36		Linear LED Light, 36"w
		0	Light Option	Standard
		S	Mounting Option	Standard
		0	Optional Features	Light Only
		A	Country of Installation	United States or Canada
		AC	Finish	Clear Anodized

D-10 (cont.)

12640 - Desks

D-10 (cont.)

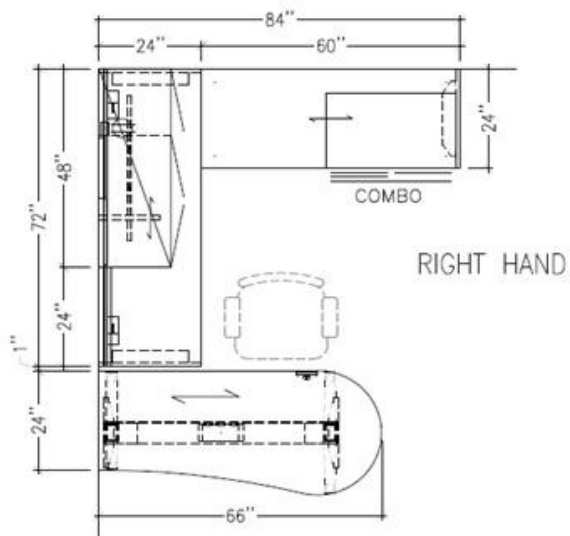
Each Desk to Consist of:

Qty	Cat.	Part #	Option Group	Part Description
(1)	RCA	BOCLB164815		Overhead Cabinet - Solid Hinged Doors, 16"d x 48"w x 15"h, Wall Panel Mounted
		~S	Door Front Finish	Source Laminate
		3A	Source Laminate Front	Mercurial Walnut
		4A	Edge Trim Finish	Mercurial Walnut
		~SrcLam	Case Finish	Source Case for Source Front
		3A	Source Laminate	Mercurial Walnut
		~Coordnt	Shelf Finish	Coordinate Colors
		Q9	Coordinate Colors	Mercurial Walnut Coordinate
		K	Key Style	Key Alike
(1)	RCA	BNSCP183028R		Metal Combo Pedestal, 18"d x 30" w x 28"h
		~Found	Drawer Front Finish	Foundation Colors
		6	Foundation Colors	Crisp Grey (Matte)
		~Found	Case Finish	Foundation Colors
		6	Foundation Colors	Crisp Grey (Matte)
		9	Pull Style	Rectilinear
		~Found	Pull Finish	Foundation Colors
		6	Foundation Colors	Crisp Grey (Matte)
		K	Key Style	Key Alike
		~	Counterweight Option	No Counterweight
(1)	TCO	LVWR9EL2466		Livello Height Adjustable P-Shape Workstation Table, Extended Range Electric, 24"d x 66"w x 30"d Right Orientation, 30"d rounded end on the left, Top thickness 1-3/16"
		~A	Surface Finishes	Foundation Laminate
		2A	Foundation Laminate	Mercurial Walnut
		6	Edge Trim Style	Straight Trim
		4A	Edge Trim Colors	Mercurial Walnut
		~Foundat	Base Finish	Foundation Colors
		6	Foundation Colors	Crisp Grey (Matte)
		NN	Data / Electrical	None
		D	Switch	Display with Up/Down Memory
		E	Wire Management	E-Chain

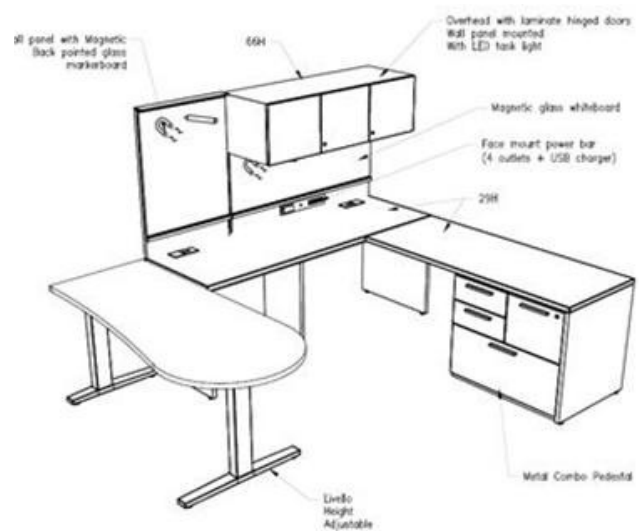
D-10 (cont.)

12640 - Desks

D-10 (cont.)



Shown above: D-10



Shown above: D-10

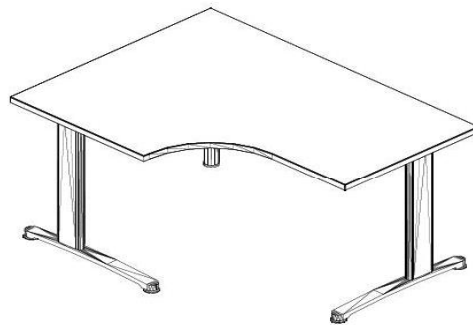
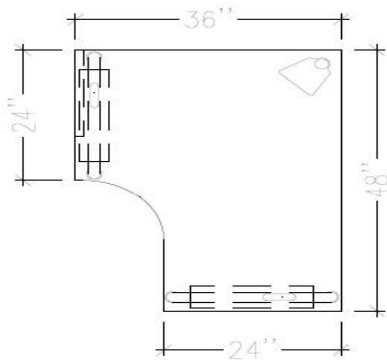
Locations:

2E28	1	5W56	1
4W35	1	GE27	1
4W37	1	GW37	1
5E10	1		



12640 - Desks

Spec Item No.	Furniture Selection	Qty	Description
D-11	Desk, Corner Unit	1	As Manufactured by Teknion
Each Desk to Consist of Expansion Items:			
Qty	Part #	Part Description	
(1)	BMCD92448R	Corner Desk Top with Curved Edge Front	
(2)	CTCLSB240	C-Leg, Slender, Fixed Height, 24"d., Two Levelers Each	
(1)	CTPLB0	Post Leg, Fixed Height, Leveler	
Size: Overall - 48"w. x 36"d. x 29"h.			
Top Thickness - 1-3/16"			
Finishes: Top - Foundation Laminate Mercurial Walnut #2A			
Straight Edge Style - #6			
Edge Trim Finish - Mercurial Walnut #4A			
Legs - Crisp Grey (Matte) #6			

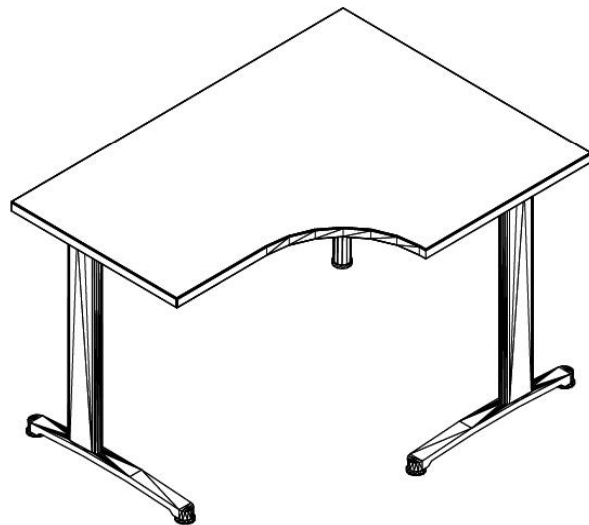
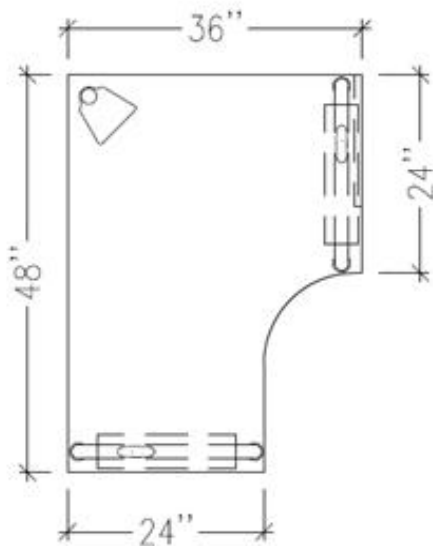


Locations:

3E12                      1

12640 - Desks

Spec Item No.	Furniture Selection	Qty	Description
D-12	Desk, Corner Unit	1	As Manufactured by Teknion
Each Desk to Consist of Expansion Items:			
Qty	Part #	Part Description	
(1)	BMCD92448L	Corner Desk Top with Curved Edge Front	
(2)	CTCLSB240	C-Leg, Slender, Fixed Height, 24"d., Two Levelers Each	
(1)	CTPLB0	Post Leg, Fixed Height, Leveler	
Size: Overall - 48"w. x 36"d. x 29"h. Top Thickness - 1-3/16"			
Finishes: Top - Foundation Laminate Mercurial Walnut #2A Straight Edge Style - #6 Edge Trim Finish - Mercurial Walnut #4A Legs - Crisp Grey (Matte) #6			



Locations:	Qty
3E12	1

12640 - Desks

Spec Item No.	Furniture Selection	Qty	Description
D-13	Straight Surface with (2) Peds on Left	16	As Manufactured by Teknion
Each Desk to Consist of Expansion Items:			
		<b>Qty</b>	<b>Cat. Part # Option Group Part Description</b>
		(2)	RCA BWGLMS24 ~S Gable Finish 3A Source Laminate Mercurial Walnut
		(1)	RCA BMRWL2484N E Support Left Side W Support Right Side ~A Worksurface Finish 2A Foundation Laminate 6 Edge Trim Style 4A Edge Trim Finish Mercurial Walnut
		(1)	RCA BNSCP183028L ~Found Drawer Front Finish 6 Foundation Colors Crisp Grey (Matte) ~Found Case Finish 6 Foundation Colors Crisp Grey (Matte) 9 Pull Style Rectilinear ~Found Pull Finish 6 Foundation Colors Crisp Grey (Matte) K Key Style Key Alike ~ Counterweight Option No Counterweight

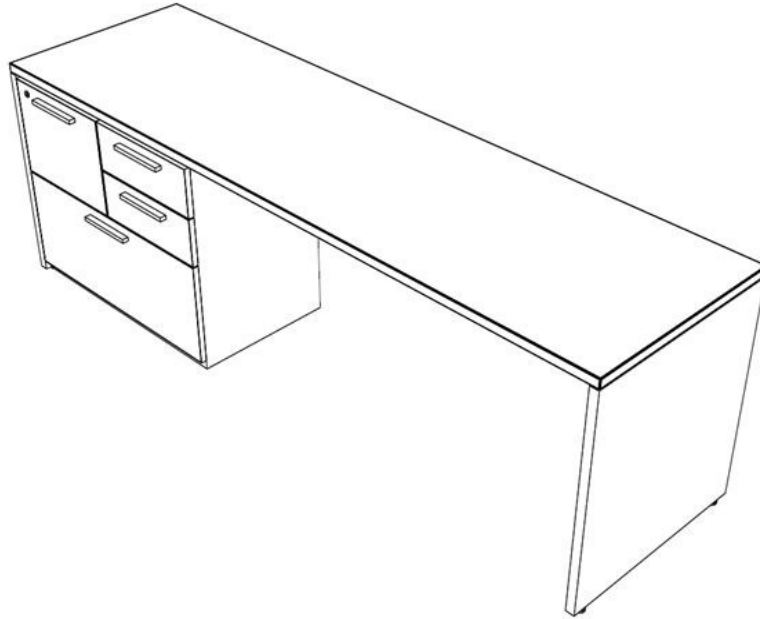
D-13 Straight Surface with (2) Peds on Left (cont.)

12640 - Desks

---

D-13 Straight Surface with (2) Peds on Left (cont.)

Size: Overall - (24" x 84")



---

Locations:

1W38	1	2W84	1
1W42	1	2W90	1
1W50	1	3E90A	1
1W56	1	3W42	1
2E70	1	3W56	1
2W34	1	4E50	1
2W40	1	4E58	1
2W58	1	1E48	1

12640 - Desks

Spec Item No.	Furniture Selection	Qty	Description	
D-14	Straight Surface with (2) Peds on Right	17	As Manufactured by Teknion	
Each Desk to Consist of Expansion Items:				
Qty	Cat.	Part #	Option Group	Part Description
(2)	RCA	BWGLMS24		Semi-Supported Leg - Solid, 29"h, 24"d (1-3/16")
		~S	Gable Finish	Source Laminate
		3A	Source Laminate	Mercurial Walnut
(1)	RCA	BMRWL2484N		Rectangular Worksurface, 24"d x 84"w, No Grommet (1-3/16")
		E	Support Left Side	Semi-Supported Leg (Not Included)
		W	Support Right Side	Frame Leg (Not Included)
		~A	Worksurface Finish	Foundation Laminate
		2A	Foundation Laminate	Mercurial Walnut
		6	Edge Trim Style	Straight Trim
		4A	Edge Trim Finish	Mercurial Walnut
(1)	RCA	BNSCP183028R		Metal Combo Pedestal, 18"d x 30" w x 28"h
		~Found	Drawer Front Finish	Foundation Colors
		6	Foundation Colors	Crisp Grey (Matte)
		~Found	Case Finish	Foundation Colors
		6	Foundation Colors	Crisp Grey (Matte)
		9	Pull Style	Rectilinear
		~Found	Pull Finish	Foundation Colors
		6	Foundation Colors	Crisp Grey (Matte)
		K	Key Style	Key Alike
		~	Counterweight Option	No Counterweight

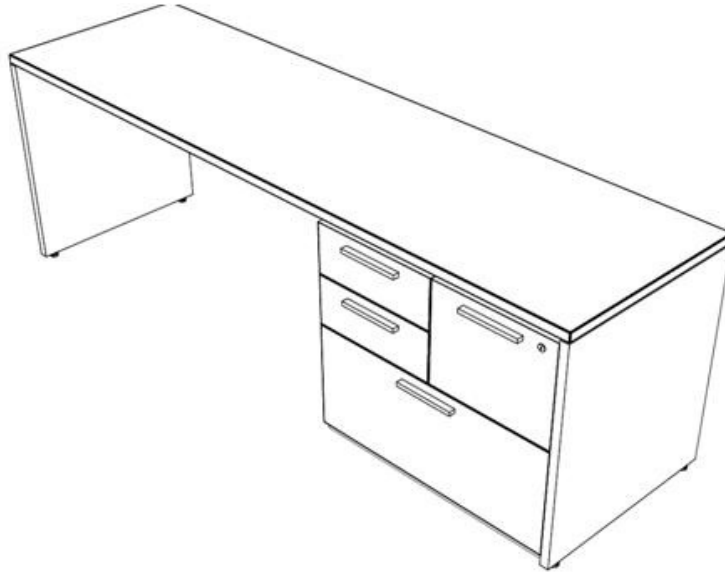
D-14 (cont.)

12640 - Desks

D-14 (cont.)

---

Size: Overall - (24" x 84")



---

Locations:

1E58	1	2W30 1
1E63	1	2W32 1
		2W42 1
1W40	1	2W50 1
1W58	1	
2E27	1	3E80C 1
2E56	1	4E48 1
2E68	1	4E56 1
2E69	1	4W58 1
2E71	1	

12640 - Desks

Spec Item No.	Furniture Selection	Qty	Description																																																																																										
D-15	"L" Shaped Unit Without Bins	1	As Manufactured by Teknion																																																																																										
			Each Desk to Consist of Expansion Items:																																																																																										
			<table border="1"> <thead> <tr> <th>Qty</th> <th>Cat.</th> <th>Part #</th> <th>Option Group</th> <th>Part Description</th> </tr> </thead> <tbody> <tr> <td>(2)</td> <td>RCA</td> <td>BWGLMS24</td> <td></td> <td>Semi-Supported Leg - Solid, 29"h, 24"d (1-3/16")</td> </tr> <tr> <td></td> <td></td> <td>~S</td> <td>Gable Finish</td> <td>Source Laminate</td> </tr> <tr> <td></td> <td></td> <td>3A</td> <td>Source Laminate</td> <td>Mercurial Walnut</td> </tr> <tr> <td>(1)</td> <td>RCA</td> <td>BMRWL2472N</td> <td></td> <td>Rectangular Worksurface, 24"d x 72"w, No Grommet (1-3/16")</td> </tr> <tr> <td></td> <td></td> <td>E</td> <td>Support Left Side</td> <td>Semi-Supported Leg (Not Included)</td> </tr> <tr> <td></td> <td></td> <td>W</td> <td>Support Right Side</td> <td>Frame Leg (Not Included)</td> </tr> <tr> <td></td> <td></td> <td>~A</td> <td>Worksurface Finish</td> <td>Foundation Laminate</td> </tr> <tr> <td></td> <td></td> <td>2A</td> <td>Foundation Laminate</td> <td>Mercurial Walnut</td> </tr> <tr> <td></td> <td></td> <td>6</td> <td>Edge Trim Style</td> <td>Straight Trim</td> </tr> <tr> <td></td> <td></td> <td>4A</td> <td>Edge Trim Finish</td> <td>Mercurial Walnut</td> </tr> <tr> <td>(1)</td> <td>RCA</td> <td>BMEC924244884L</td> <td></td> <td>Extended Corner Desk - Full Gable, Wall Access Modesty, 24" dA x 24" dB x 48" wA x 84"WB (1-3/16")</td> </tr> <tr> <td></td> <td></td> <td>2A</td> <td>Worksurface Finish</td> <td>Mercurial Walnut</td> </tr> <tr> <td></td> <td></td> <td>6</td> <td>Edge Trim Style</td> <td>Straight Trim</td> </tr> <tr> <td></td> <td></td> <td>4A</td> <td>Edge Trim Finish</td> <td>Mercurial Walnut</td> </tr> <tr> <td></td> <td></td> <td>3A</td> <td>Gable and Modesty Panel Finish</td> <td>Mercurial Walnut</td> </tr> <tr> <td></td> <td></td> <td>~Found</td> <td>Hardware Finish</td> <td>Foundation Colors</td> </tr> <tr> <td></td> <td></td> <td>6</td> <td>Foundation Colors</td> <td>Crisp Grey (Matte)</td> </tr> </tbody> </table>	Qty	Cat.	Part #	Option Group	Part Description	(2)	RCA	BWGLMS24		Semi-Supported Leg - Solid, 29"h, 24"d (1-3/16")			~S	Gable Finish	Source Laminate			3A	Source Laminate	Mercurial Walnut	(1)	RCA	BMRWL2472N		Rectangular Worksurface, 24"d x 72"w, No Grommet (1-3/16")			E	Support Left Side	Semi-Supported Leg (Not Included)			W	Support Right Side	Frame Leg (Not Included)			~A	Worksurface Finish	Foundation Laminate			2A	Foundation Laminate	Mercurial Walnut			6	Edge Trim Style	Straight Trim			4A	Edge Trim Finish	Mercurial Walnut	(1)	RCA	BMEC924244884L		Extended Corner Desk - Full Gable, Wall Access Modesty, 24" dA x 24" dB x 48" wA x 84"WB (1-3/16")			2A	Worksurface Finish	Mercurial Walnut			6	Edge Trim Style	Straight Trim			4A	Edge Trim Finish	Mercurial Walnut			3A	Gable and Modesty Panel Finish	Mercurial Walnut			~Found	Hardware Finish	Foundation Colors			6	Foundation Colors	Crisp Grey (Matte)
Qty	Cat.	Part #	Option Group	Part Description																																																																																									
(2)	RCA	BWGLMS24		Semi-Supported Leg - Solid, 29"h, 24"d (1-3/16")																																																																																									
		~S	Gable Finish	Source Laminate																																																																																									
		3A	Source Laminate	Mercurial Walnut																																																																																									
(1)	RCA	BMRWL2472N		Rectangular Worksurface, 24"d x 72"w, No Grommet (1-3/16")																																																																																									
		E	Support Left Side	Semi-Supported Leg (Not Included)																																																																																									
		W	Support Right Side	Frame Leg (Not Included)																																																																																									
		~A	Worksurface Finish	Foundation Laminate																																																																																									
		2A	Foundation Laminate	Mercurial Walnut																																																																																									
		6	Edge Trim Style	Straight Trim																																																																																									
		4A	Edge Trim Finish	Mercurial Walnut																																																																																									
(1)	RCA	BMEC924244884L		Extended Corner Desk - Full Gable, Wall Access Modesty, 24" dA x 24" dB x 48" wA x 84"WB (1-3/16")																																																																																									
		2A	Worksurface Finish	Mercurial Walnut																																																																																									
		6	Edge Trim Style	Straight Trim																																																																																									
		4A	Edge Trim Finish	Mercurial Walnut																																																																																									
		3A	Gable and Modesty Panel Finish	Mercurial Walnut																																																																																									
		~Found	Hardware Finish	Foundation Colors																																																																																									
		6	Foundation Colors	Crisp Grey (Matte)																																																																																									

D-15 (cont.)

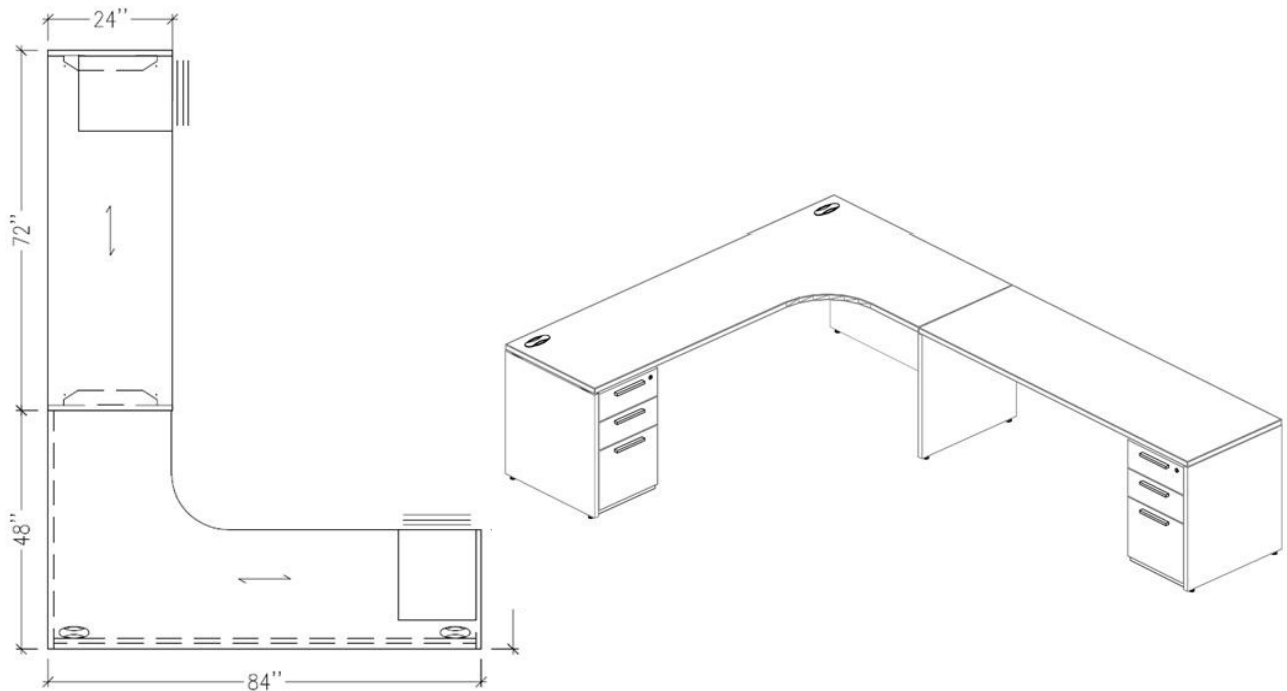
12640 - Desks

D-15 (cont.)

Each Desk to Consist of:

Qty	Cat.	Part #	Option Group	Part Description
(2)	RCQ	BNSPS18286612		Metal Pedestal, Stationary, 18"d x 28"h, Box, Box, File
	~Found	Drawer Front Finish		Foundation Colors
6		Foundation Colors		Crisp Grey (Matte)
	~Found	Case Finish		Foundation Colors
6		Foundation Colors		Crisp Grey (Matte)
9		Pull Style		Rectilinear
	~Found	Pull Finish		Foundation Colors
6		Foundation Colors		Crisp Grey (Matte)
K		Key Style		Key Alike
~		Counterweight Option		No Counterweight
				Subtotal

Overall Size: 84"x 24" and 24" x 60"



Locations:

3W50 1

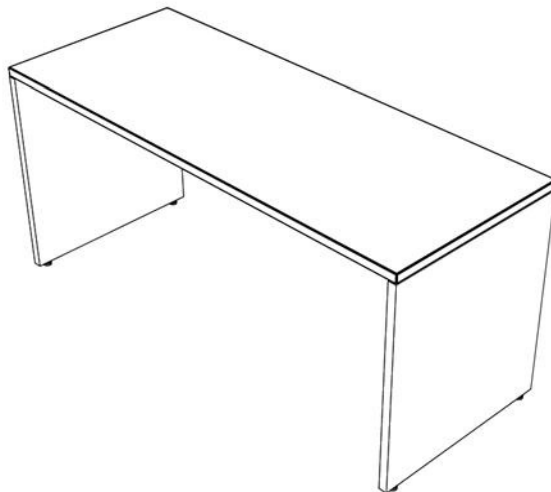


12640 - Desks

Spec Item No.	Furniture Selection	Qty	Description
D-16	Shell (60" x 24")	2	As Manufactured by Teknion

Each Desk to Consist of Expansion Items:

Qty	Cat.	Part #	Option Group	Part Description
(2)	RCA	BWGLMS24		Semi-Supported Leg - Solid, 29"h, 24"d (1-3/16")
		~S	Gable Finish	Source Laminate
		3A	Source Laminate	Mercurial Walnut
(1)	RCA	BMRWL2460N		Rectangular Worksurface, 24"d x 60"w, No Grommet (1-3/16")
		E	Support Left Side	Semi-Supported Leg (Not Included)
		W	Support Right Side	Frame Leg (Not Included)
		~A	Worksurface Finish	Foundation Laminate
		2A	Foundation Laminate	Mercurial Walnut
		6	Edge Trim Style	Straight Trim
		4A	Edge Trim Finish	Mercurial Walnut

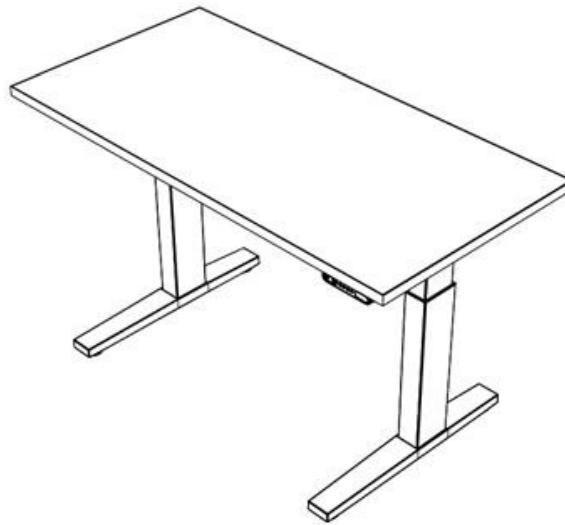


Locations:

2E75	1
3E56	1

12640 - Desks

Spec Item No.	Furniture Selection	Qty	Description																																																							
D-17	Sit / Stand Desk (48" x 24")	11	As Manufactured by Teknion  Each Desk to Consist of Expansion Items:																																																							
			<table border="1"> <thead> <tr> <th>Qty</th> <th>Cat.</th> <th>Part #</th> <th>Option Group</th> <th>Part Description</th> </tr> </thead> <tbody> <tr> <td>(1)</td> <td>TCO</td> <td>LVWR1XR2448</td> <td></td> <td>Livello Height Adjustable Workstation Table, Counterbalance, Counterbalance LE, Right, 48"w. x 24"d x 26" - 43"h.</td> </tr> <tr> <td></td> <td></td> <td>~A</td> <td>Surface Finishes</td> <td>Foundation Laminate</td> </tr> <tr> <td></td> <td></td> <td>2A</td> <td>Foundation Laminate</td> <td>Mercurial Walnut</td> </tr> <tr> <td></td> <td></td> <td>6</td> <td>Edge Trim Style</td> <td>Straight Trim</td> </tr> <tr> <td></td> <td></td> <td>4A</td> <td>Edge Trim Colors</td> <td>Mercurial Walnut</td> </tr> <tr> <td></td> <td></td> <td>~Founda</td> <td>Base Finish</td> <td>Foundation Colors</td> </tr> <tr> <td></td> <td></td> <td>6</td> <td>Foundation Colors</td> <td>Crisp Grey (Matte)</td> </tr> <tr> <td></td> <td></td> <td>NN</td> <td>Data / Electrical</td> <td>None</td> </tr> <tr> <td></td> <td></td> <td>D</td> <td>Switch</td> <td>None</td> </tr> <tr> <td></td> <td></td> <td>E</td> <td>Wire Management</td> <td>E-Chain</td> </tr> </tbody> </table>	Qty	Cat.	Part #	Option Group	Part Description	(1)	TCO	LVWR1XR2448		Livello Height Adjustable Workstation Table, Counterbalance, Counterbalance LE, Right, 48"w. x 24"d x 26" - 43"h.			~A	Surface Finishes	Foundation Laminate			2A	Foundation Laminate	Mercurial Walnut			6	Edge Trim Style	Straight Trim			4A	Edge Trim Colors	Mercurial Walnut			~Founda	Base Finish	Foundation Colors			6	Foundation Colors	Crisp Grey (Matte)			NN	Data / Electrical	None			D	Switch	None			E	Wire Management	E-Chain
Qty	Cat.	Part #	Option Group	Part Description																																																						
(1)	TCO	LVWR1XR2448		Livello Height Adjustable Workstation Table, Counterbalance, Counterbalance LE, Right, 48"w. x 24"d x 26" - 43"h.																																																						
		~A	Surface Finishes	Foundation Laminate																																																						
		2A	Foundation Laminate	Mercurial Walnut																																																						
		6	Edge Trim Style	Straight Trim																																																						
		4A	Edge Trim Colors	Mercurial Walnut																																																						
		~Founda	Base Finish	Foundation Colors																																																						
		6	Foundation Colors	Crisp Grey (Matte)																																																						
		NN	Data / Electrical	None																																																						
		D	Switch	None																																																						
		E	Wire Management	E-Chain																																																						



Locations:

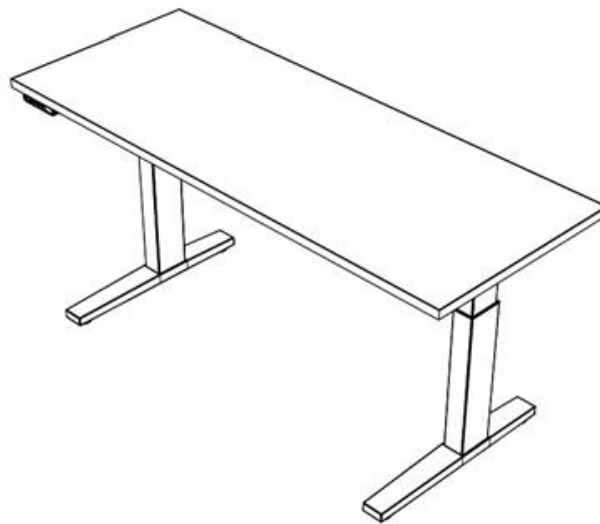
1W25	1	GW42	1
GW36	3	GW47	1
GW38	1	GW48	3
GW40	1		

12640 - Desks

Spec Item No.	Furniture Selection	Qty	Description
D-18	Sit / Stand Desk (60" x 24")	22	As Manufactured by Teknion

Each Desk to Consist of Expansion Items:

Qty	Cat.	Part #	Option Group	Part Description
(1)	TCO	LVWR1XR2460		Livello Height Adjustable Workstation Table, Counterbalance, Counterbalance LE, Right, 60"w. x 24"d x 26" - 43"h.
		~A	Surface Finishes	Foundation Laminate
		2A	Foundation Laminate	Mercurial Walnut
		6	Edge Trim Style	Straight Trim
		4A	Edge Trim Colors	Mercurial Walnut
		~Founda	Base Finish	Foundation Colors
		6	Foundation Colors	Crisp Grey (Matte)
		NN	Data / Electrical	None
		D	Switch	None
		E	Wire Management	E-Chain



Locations:

GW29	3	GW44	3
GW33	3	GW47	1
GW38	2	GW51	3
GW39	1	GW55	1
GW40	2	GW57	1
GW42	2		

12640 - Desks

Spec Item No.	Furniture Selection	Qty	Description
D-19	Mobile Desk with CPU Holder (48" x 24")	2	As Manufactured by Teknion Each Desk to Consist of Expansion Items:
		<b>Qty</b>	<b>Cat. Part # Option Group Part Description</b>
		(4)	RET CTPLB2 Post Leg, Fixed Height, Caster ~Found Foundation & Mica Foundation Colors Colors 6 Foundation Colors Crisp Grey (Matte)
		(1)	TCO YKCU1 TK CPU Holder, Fixed 7 Paint Finish Platinum (Satin)
		(1)	RCA BMRWL2448N Rectangular Worksurface, 24"d x 48"w, No Grommet (1-3/16") E Support Left Side Semi-Supported Leg (Not Included) W Support Right Side Frame Leg (Not Included) ~A Worksurface Finish Foundation Laminate 2A Foundation Laminate Mercurial Walnut 6 Edge Trim Style Straight Trim 4A Edge Trim Finish Mercurial Walnut



Locations:

GW15 2

12640 - Desks

Spec Item No.	Furniture Selection	Qty	Description	
D-20	Straight Surface with (1) Ped	1	As Manufactured by Teknion	
Each Desk to Consist of Expansion Items:				
Qty	Cat.	Part #	Option Group	Part Description
(1)	RCA	BMRWL2472N		Rectangular Worksurface, 24"d x 72"w, No Grommet (1-3/16")
		E	Support Left Side	Semi-Supported Leg (Not Included)
		W	Support Right Side	Frame Leg (Not Included)
		~A	Worksurface Finish	Foundation Laminate
		2A	Foundation Laminate	Mercurial Walnut
		6	Edge Trim Style	Straight Trim
		4A	Edge Trim Finish	Mercurial Walnut
(2)	RCA	BWGLMS24		Semi-Supported Leg - Solid, 29"h, 24"d (1-3/16")
		~S	Gable Finish	Source Laminate
		3A	Source Laminate	Mercurial Walnut
(1)	RCQ	BNSPS18286612		Metal Pedestal, Stationary, 18"d x 28"h, Box, Box, File
		~Found	Drawer Front Finish	Foundation Colors
		6	Foundation Colors	Crisp Grey (Matte)
		~Found	Case Finish	Foundation Colors
		6	Foundation Colors	Crisp Grey (Matte)
		9	Pull Style	Rectilinear
		~Found	Pull Finish	Foundation Colors
		6	Foundation Colors	Crisp Grey (Matte)
		K	Key Style	Key Alike
		~	Counterweight Option	No Counterweight

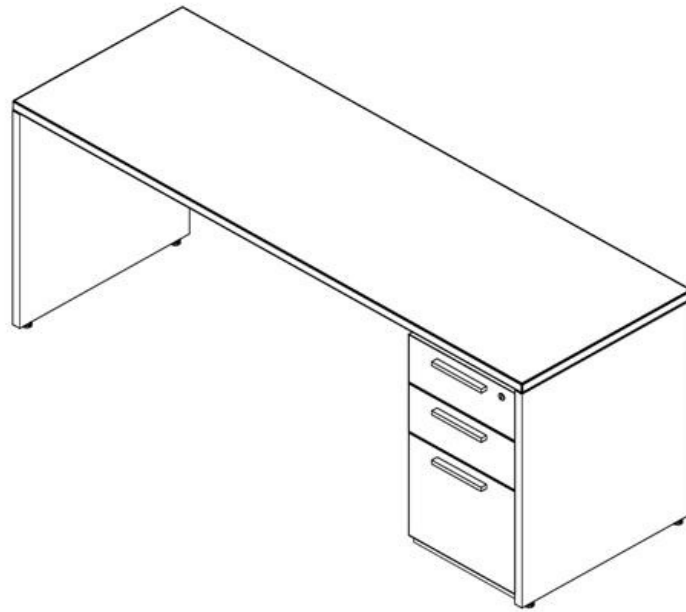
Overall Size: 72" x 24"

D-20 (cont.)

12640 - Desks

D-20 (cont.)

---



---

Locations:

GW35      1

12640 - Desks

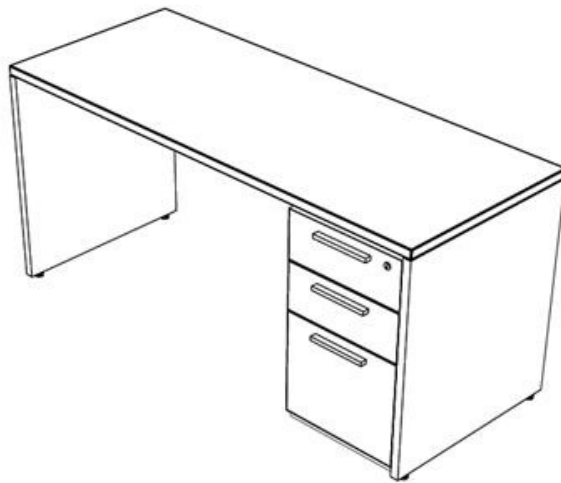
Spec Item No.	Furniture Selection	Qty	Description
D-21	Standard Desk with Ped on Right (60" x 30")	1	As Manufactured by Teknion
			Each Desk to Consist of Expansion Items:
		<b>Qty</b>	<b>Cat. Part # Option Group Part Description</b>
		(2)	RCA BWGLMS24 Semi-Supported Leg - Solid, 29"h, 24"d (1-3/16")
			~S Gable Finish Source Laminate
			3A Source Laminate Mercurial Walnut
		(1)	RCA BMRWL2460N Rectangular Worksurface, 24"d x 60"w, No Grommet (1-3/16")
			E Support Left Side Semi-Supported Leg (Not Included)
			W Support Right Side Frame Leg (Not Included)
			~A Worksurface Finish Foundation Laminate
			2A Foundation Laminate Mercurial Walnut
			6 Edge Trim Style Straight Trim
			4A Edge Trim Finish Mercurial Walnut
		(1)	RCQ BNSPS18286612 Metal Pedestal, Stationary, 18"d x 28"h, Box, Box, File
			~Found Drawer Front Finish Foundation Colors
			6 Foundation Colors Crisp Grey (Matte)
			~Found Case Finish Foundation Colors
			6 Foundation Colors Crisp Grey (Matte)
			9 Pull Style Rectilinear
			~Found Pull Finish Foundation Colors
			6 Foundation Colors Crisp Grey (Matte)
			K Key Style Key Alike
			~ Counterweight Option No Counterweight

D-21 (cont.)

12640 - Desks

D-21 (cont.)

---



---

Locations:

GW67      1

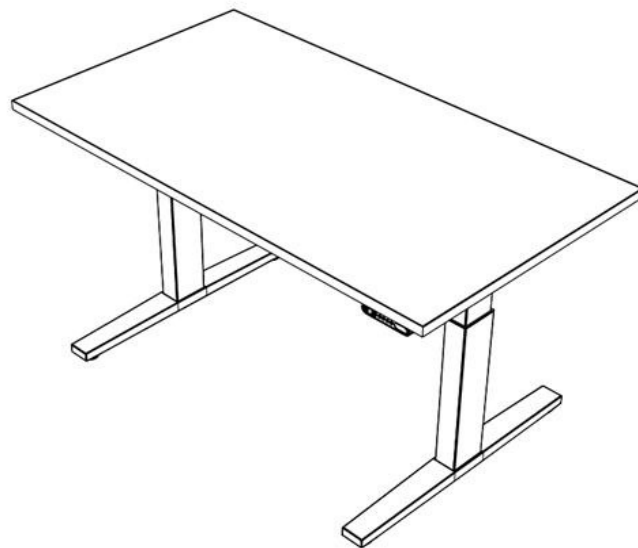


12640 - Desks

Spec Item No.	Furniture Selection	Qty	Description
D-22	Sit / Stand Desk (54" x 30")	14	As Manufactured by Teknion

Each Desk to Consist of Expansion Items:

Qty	Cat.	Part #	Option Group	Part Description
(1)	TCO	LVWR1XR3054		Livello Height Adjustable Workstation Table, Counterbalance, Counterbalance LE, Right, 54"w. x 30"d. x 26" - 43"h.
		~A	Surface Finishes	Foundation Laminate
		2A	Foundation Laminate	Mercurial Walnut
		6	Edge Trim Style	Straight Trim
		4A	Edge Trim Colors	Mercurial Walnut
		~Founda	Base Finish	Foundation Colors
		6	Foundation Colors	Crisp Grey (Matte)
		NN	Data / Electrical	None
		D	Switch	None
		E	Wire Management	E-Chain



Locations:

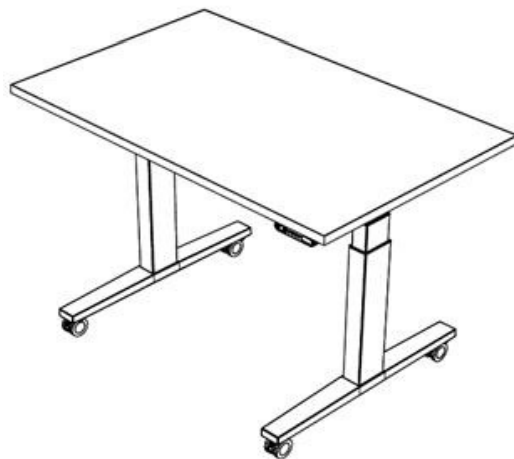
5W30	2	5W42	2
5W34	2	5W44	2
5W36	2	GW89	2
5W40	2		

12640 - Desks

Spec Item No.	Furniture Selection	Qty	Description
D-23	Sit / Stand Mobile Desk (48" x 30")	2	As Manufactured by Teknion

Each Desk to Consist of Expansion Items:

Qty	Cat.	Part #	Option Group	Part Description
(1)	TCO	LVWR9ER3048		Livello Height Adjustable Workstation Table on Casters, Extended Range Electric, Extended, Right, 30"d x 48"w x 22" - 48"h
		~A	Surface Finishes	Foundation Laminate
		2A	Foundation Laminate	Mercurial Walnut
		6	Edge Trim Style	Straight Trim
		4A	Edge Trim Colors	Mercurial Walnut
		~Founda	Base Finish	Foundation Colors
		6	Foundation Colors	Crisp Grey (Matte)
		NN	Data / Electrical	None
		D	Switch	Display with Up/Down Memory
		N	Wire Management	None



Locations:

GW87 2

12640 - Desks

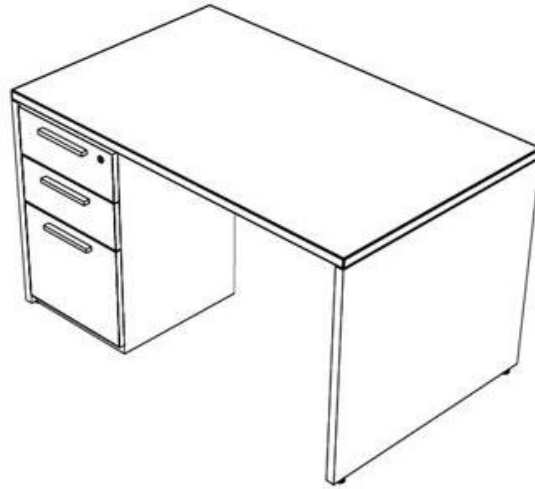
Spec Item No.	Furniture Selection	Qty	Description	
D-24	Fixed Desk with Single Pedestal	3	As Manufactured by Teknion	
Each Desk to Consist of Expansion Items:				
Qty	Cat.	Part #	Option Group	Part Description
(2)	RCA	BWGLMS30		Semi-Supported Leg - Solid, 29"h, 30"d (1-3/16")
		~S	Gable Finish	Source Laminate
		3A	Source Laminate	Mercurial Walnut
(1)	RCA	BMRWL3048N		Rectangular Worksurface, 30"d x 48"w, No Grommet (1-3/16")
		E	Support Left Side	Semi-Supported Leg (Not Included)
		W	Support Right Side	Frame Leg (Not Included)
		~A	Worksurface Finish	Foundation Laminate
		2A	Foundation Laminate	Mercurial Walnut
		6	Edge Trim Style	Straight Trim
		4A	Edge Trim Finish	Mercurial Walnut
(1)	RCQ	BNSPS18286612		Metal Pedestal, Stationary, 18"d x 28"h, Box, Box, File
		~Found	Drawer Front Finish	Foundation Colors
		6	Foundation Colors	Crisp Grey (Matte)
		~Found	Case Finish	Foundation Colors
		6	Foundation Colors	Crisp Grey (Matte)
		9	Pull Style	Rectilinear
		~Found	Pull Finish	Foundation Colors
		6	Foundation Colors	Crisp Grey (Matte)
		K	Key Style	Key Alike
		~	Counterweight Option	No Counterweight

D-24 (cont.)

12640 - Desks

D-24 (cont.)

---



---

Locations:

1W15	1
GW84	1
GW86	1

12640 - Desks

Spec Item No.	Furniture Selection	Qty	Description	
D-25	Straight Surface with Pedestal	1	As Manufactured by Teknion	
Each Desk to Consist of Expansion Items:				
Qty	Cat.	Part #	Option Group	Part Description
(1)	RCA	BOTMM2160		Markerboard - Hutch Mounted, Magnetic Glass, 21"h x 60"w
		K7	Glass Finish	Very White
(2)	RCA	BWGLMS24		Semi-Supported Leg - Solid, 29"h, 24"d (1-3/16")
		~S	Gable Finish	Source Laminate
		3A	Source Laminate	Mercurial Walnut
(1)	RCA	BMRWL2460C		Rectangular Worksurface, 24"d x 60"w, Centered Grommet (1-3/16")
		E	Support Left Side	Semi-Supported Leg (Not Included)
		W	Support Right Side	Frame Leg (Not Included)
		~A	Worksurface Finish	Foundation Laminate
		2A	Foundation Laminate	Mercurial Walnut
		6	Edge Trim Style	Straight Trim
		4A	Edge Trim Finish	Mercurial Walnut
		3A	Grommet Finish	Mercurial Walnut
(1)	RCA	BMHCL156037		Standard Hutch - Solid Hinged Doors, 15"d x 60"w x 37"h (1-3/16")
		~A	Door Front Finish	Foundation Laminate
		2A	Foundation Laminate	Mercurial Walnut
		4A	Edge Trim Finish	Mercurial Walnut
		3A	Case Finish	Mercurial Walnut
		~Found	Shelf & Hardware Finish	Foundation Colors
		6	Foundation Colors	Crisp Grey (Matte)
		K	Key Style	Key Alike

D-25 (cont.)

12640 - Desks

D-25 (cont.)

Each Desk to Consist of:

Qty	Cat.	Part #	Option Group	Part Description
(1)	RCQ	BNSPS18286612		Metal Pedestal, Stationary, 18"d x 28"h, Box, Box, File
	~Found	Drawer Front Finish		Foundation Colors
6		Foundation Colors		Crisp Grey (Matte)
	~Found	Case Finish		Foundation Colors
6		Foundation Colors		Crisp Grey (Matte)
9		Pull Style		Rectilinear
	~Found	Pull Finish		Foundation Colors
6		Foundation Colors		Crisp Grey (Matte)
K		Key Style		Key Alike
~		Counterweight Option		No Counterweight



Locations:

1W21 1

12640 - Desks

Spec

Item Furniture

No. Selection Qty Description

---

Work Benches, etc. n/a Lista - Lab Work Benches, Tables and Storage Cabinet Performance Requirements

**Workbench:**

- \* Workbench height is 30" (76 cm) or
- \* Heavy-duty 2" x 2" tubular legs include leveling glides.
- \* Load capacity for bench is 1,000 lbs. (454 kg) evenly distributed.

**Workbench Base Options:**

- \* **Leg Extenders -**
- \* Allow nominal height adjustment of 6" on 2" increments.
- \* Extender for 30" high workbench allows extended heights of 32", 34" or 36" overall height.
- \* **Caster Kit -**
- \* Set of casters used to add mobility.
- \* Swivel stem casters are 5" x 1-1/4" and replace glides which come with stationary legs. Increases overall nominal height by 6".

**Worksurfaces Options:**

- \* **Standard Laminate Worksurface -**
- \* Worksurface is constructed of 1 3/8" (3.5 cm) thick medium density particle board covered on top and all sides with non-glare matte finish plastic laminate.
- \* The front edge is contoured for comfort and chip resistance.
- \* The under side of the worksurface is sealed with a plastic tension sheet to prevent moisture absorption, warping and shedding.
- \* **Static Dissipative Laminate Worksurface -**
- \* Worksurface is the same as the standard laminate worksurface, but with non-glare matte finish plastic laminate that provides a controlled path to ground for the dissipation of static electricity.
- \* The worksurface is provided with a ground-ing kit that must be used to provide proper protection for components and personnel.
- \* Static dissipative value for the material is 10<sup>6</sup> - 10<sup>9</sup>.
- \* **Butcher Block Worksurface -**
- \* Worksurface is 1 3/4" (4.5 cm) thick satin finish hardwood with bullnose front edge.
- \* **Stainless steel, phenolic resin, ball transfer and other worksurfaces are also available.**

**Under Worksurface Options**

- \* **Hanging Drawer**
- \* Steel drawer mounts under worksurface, and can slide to any horizontal position.
- \* Includes steel ball bearing slides and recessed handles. 100% full extension.
- \* Each unit comes with a lock and 2 keys. Keyed-alike and master locks are available.
- \* 16 3/4" wide.
- \* **Lap Drawer**
- \* 21 3/8" wide x 18 3/4" deep. Lock not available. Steel ball bearing slides and full length integrated handle.

Lista Performance Requirements (cont.)

12640 - Desks

Spec

Item Furniture

No. Selection Qty Description

---

Work Benches, etc. n/a Lista - Lab Work Benches, Tables and Storage Cabinet Performance Requirements

Lista Performance Requirements (cont.)

\* **CPU Holder**

- \* Adjustable pullout CPU holder has storable slide travel of 19". 360° rotation. Accommodates CPU width range of 2"-8 1/2", CPU height range of 11"-22".

**Accessory Options**

\* **Privacy Panels**

- \* Steel privacy panels enclose ends and back of bench. Finished to match frame.

\* **Under Shelf**

- \* For extra storage space under your benches. 18" (46 cm) deep lower steel shelf fastens to the leg braces.

\* **Fixed Heavy Gauge Footrest**

- \* Channel steel footrest fastens to leg braces.

\* **Back And End Stops**

- \* Steel stops fasten to worksurface to provide back and end stops. Stops extend approx. 4" above work-bench top. End stops are 30" deep and have rounded front corners. Back stop can also be attached to riser shelf.

\* **Outlet Strip**

- \* Surface mounts to top or bottom of worksurface. Lighted on/off switch. Includes 6' power cord and circuit breaker. Painted silver finish.

**Riser Options**

\* **Riser Shelf With Box Supports**

- \* 14" (36 cm) deep shelves are finished in either standard laminate, static dissipative laminate or butcher block to match specified worksurface. (Other materials available upon request.) Steel box supports are 19" (48 cm) high and 11" (28 cm) deep.

\* **Light Fixture For Under Shelf**

- \* Fastens to underside of riser shelf with wood screws. Includes acrylic diffuser, 7 1/2' power cord and rocker switch. Lights feature economical electronic ballasts and come complete with T8 fluorescent lamp.

\* **Electrical Panel Insert For Box Support**

- \* The panel insert includes illuminated 15 Amp circuit breaker, 4 duplex receptacles and 7.5' powercord. Electrical panels can be used on one or both shelf supports and can be purchased with riser shelf or added later. CSA listed.

- \* 20 Amp and GFCI available on request.

Lista Performance Requirements (cont.)



12640 - Desks

Spec

Item Furniture

No. Selection Qty Description

---

Work Benches, etc. n/a Lista - Lab Work Benches, Tables and Storage Cabinet Performance Requirements

Lista Performance Requirements (cont.)

### Vertical Space Integrator (VSI) System

- \* The VSI (Vertical Space Integrator) System is designed to expand the efficiency of any workbench, regardless of manufacturer.
- \* Frames are sturdy, heavy gauge steel, and are slotted front and back at 1" increments for mounting accessories.
- \* Starter frames consist of 2 upright posts and a horizontal rail. Adder sets consist of an additional upright and horizontal rail.
- \* Foot plate is 2 3/4" x 4".

#### \* Shelves

- \* Shelves can be mounted parallel to the worksurface or at 15°. Capacity is 100 lbs. (45kg), evenly distributed.

#### \* Power Options

- \* Horizontal power beam has 8 receptacles, lighted power switch and 15 amp circuit breaker.
- \* Vertical power strip mounts vertically to front and back of upright.
- \* Bracket and hardware supplied.
- \* Lighted on/off switch and 7.5' power cord with circuit breaker are included.
- \* Fixture and brackets are black.

#### \* Monitor Arm

- \* Basic flat panel monitor arm supports 18 lbs. (8kg), maximum reach 16" (407mm).
- \* Articulates horizontally. Full function flat panel monitor arm supports 26 lbs. (12kg), maximum reach 15.9" (404mm). Articulates horizontally and vertically.

#### \* Louvered Panel

- \* Sturdy painted steel louvered panel, holds hanging plastic bin boxes, tool or supply holders. 18" high. Adjusts vertically in 1" increments.

#### \* Light Fixture Assembly

- \* Twin tube fluorescent light fixture. Uses energy-saving T8 lamps and electronic ballasts.
- \* Comes complete with (2) 32 watt lamps, parabolic diffuser and on/off switch.
- \* Color trim attaches to front lip of fixture. Includes 9' power cord.

### NS Mobile Carts and Companion Cabinets

- \* Lista's shallow depth NS light duty cabinet line, with a housing size of 16 7/8" wide x 22 1/2" deep, is a space-efficient and highly maneuverable mobile cart or companion cabinet.
- \* Depending on worksurface height, NS cabinets can be put beneath an All-Purpose Arlink 7000 workbench for convenient storage.

Lista Performance Requirements (cont.)

12640 - Desks

Spec

Item Furniture

No. Selection Qty Description

---

Work Benches, etc. n/a Lista - Lab Work Benches, Tables and Storage Cabinet Performance Requirements

Lista Performance Requirements (cont.)

\* **NS Mobile Cart**

- \* For extra storage space under or adjacent to your benches.
- \* NS Mobile Carts (17 1/2" W x 26" D x 31 1/2" H) Shelf Only
- \* NS Mobile Carts (17 1/2" W x 26" D x 31 1/2" H) with Drawers
- \* *\*drawers are full extension, 165 lb. capacity, with 12" wide x 18" deep usable inside drawer dimensions*

\* **NS Mobile Cabinet**

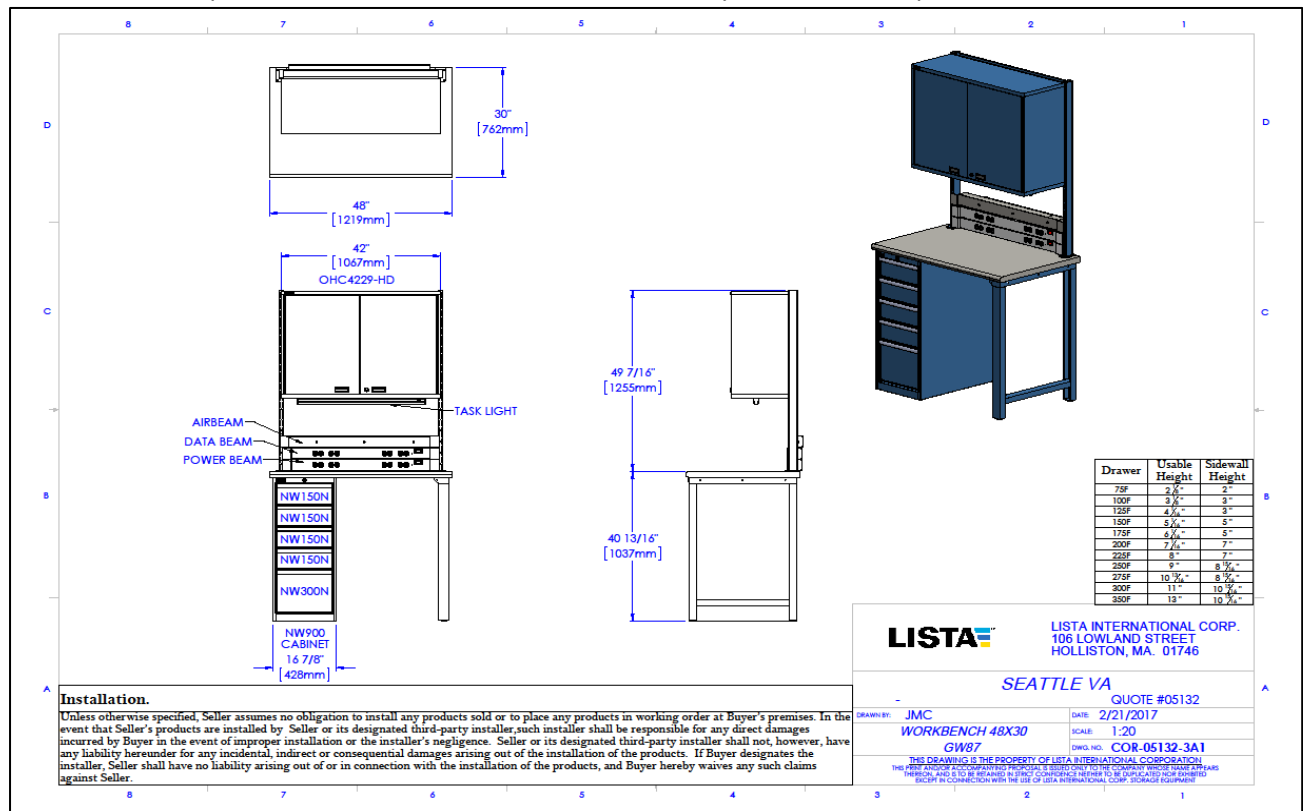
- \* A cost-competitive, space-efficient and highly maneuverable mobile cabinet.
- \* Full extension drawers with a weight capacity of 165 lbs. (75kg).
- \* Models whose part number ends in "A" come with pre-configured drawer interior sets.
- \* NS 450 Mobile Cabinets (16 7/8" W x 22 1/2" D x 26 1/2" H).
- \* NS 600 Mobile Cabinets (16 7/8" W x 22 1/2" D x 32 3/8" H).

12640 - Desks

Spec Item No.	Furniture Selection	Qty	Description
WB-01	Workbench (48" x 30")	4	As manufactured by Lista International Corporation
Each Workbench to Consist of:			
(1)	QQCSTOP-48x30BN		Chemsurf top 48x30 Bullnose black
(1)	WBLL39.5X28.5		Lista Leg, w/Glides 39.5h x 28.5d
(1)	NW900		NW Housing, 16-7/8w x 28-1/2d
(4)	NW150N		NW Drawer, 5-1/16 Usable Ht, 165lb Cap.
(4)	NWDR212-150		NW Drawer Layout, 12 Compartments
(1)	NW300N-FFH		NW File Drawer
(1)	NXF/SM4248		Nexus Frame 42w x 48h
(1)	-->4191		Powerbeam, 8 outlets & USB 42"
(1)	-->4188		Databeam SS, 8 Data Ports 42"
(1)	-->8846		Airbeam SS, 2 - 1/4 NPT Outlets 42"
(1)	OHC4229-HD		Overhead Cabinet - Hinged Door, 42" Wide
(1)	NX/OHC-BRK29		Nexus OHC Mounting Brackets (Pair), 29 High
(1)	SP12730-34		Undershelf LED Light Fixture 34"
Finish: #LG Light Grey			

Performance Specification: See Performance Specification requirements within this section.

Note: Selected offeror will be responsible for assembly of this unit. For assembly instructions go to: <http://lista-automotive.com/contact/assembly-instructions.aspx>.



Locations: GW87 4

12640 - Desks

Spec Item No.	Furniture Selection	Qty	Description
WB-02	Workbench "L" Shaped (96" x 30") with 60" Left Return	1	As manufactured by Lista International Corporation
			Each Workbench to Consist of:
		(1)	QQCSTOP-9630/BN Chemsurf top 96x30 bullnose black
		(1)	QQCSTOP-3030BN Chemsurf top 30x30 bullnose black
		(2)	WBLL39.5X28.5 Lista Leg, w/Glides 39.5h x 28.5d
		(1)	-->CP-12 Connecting Bracket
		(1)	-->WBTSC96/LLNW Top Support Rail, pair
		(1)	NW900 NW Housing, 16-7/8w x 28-1/2d
		(4)	NW150N NW Drawer, 5-1/16 Usable Ht, 165lb Cap.
		(4)	NWDR212-150 NW Drawer Layout, 12 Compartments
		(1)	NW300N-FFH NW File Drawer
		(1)	NXF/SM4248 Nexus Frame 42w x 48h
		(1)	NXF/SM4248A Nexus Adder Frame 42w x 48h
		(2)	-->4191 Powerbeam, 8 outlets & USB 42"
		(2)	-->4188 Databeam SS, 8 Data Ports 42"
		(2)	-->8846 Airbeam SS, 2 - 1/4 NPT Outlets 42"
		(2)	SP12730-34 Undershelf LED Light Fixture 34"
		(2)	OHC4229-HD Overhead Cabinet - Hinged Door, 42" Wide
		(2)	NX/OHC-BRK29 Nexus OHC Mounting Brackets (Pair), 29 High
			Finish: #LG Light Grey

Performance Specification: See Performance Specification requirements within this section.

Note: Selected offeror will be responsible for assembly of this unit. For assembly instructions go to: <http://lista-automotive.com/contact/assembly-instructions.aspx>.



See page 2 for imagery and additional spec details.

Locations:

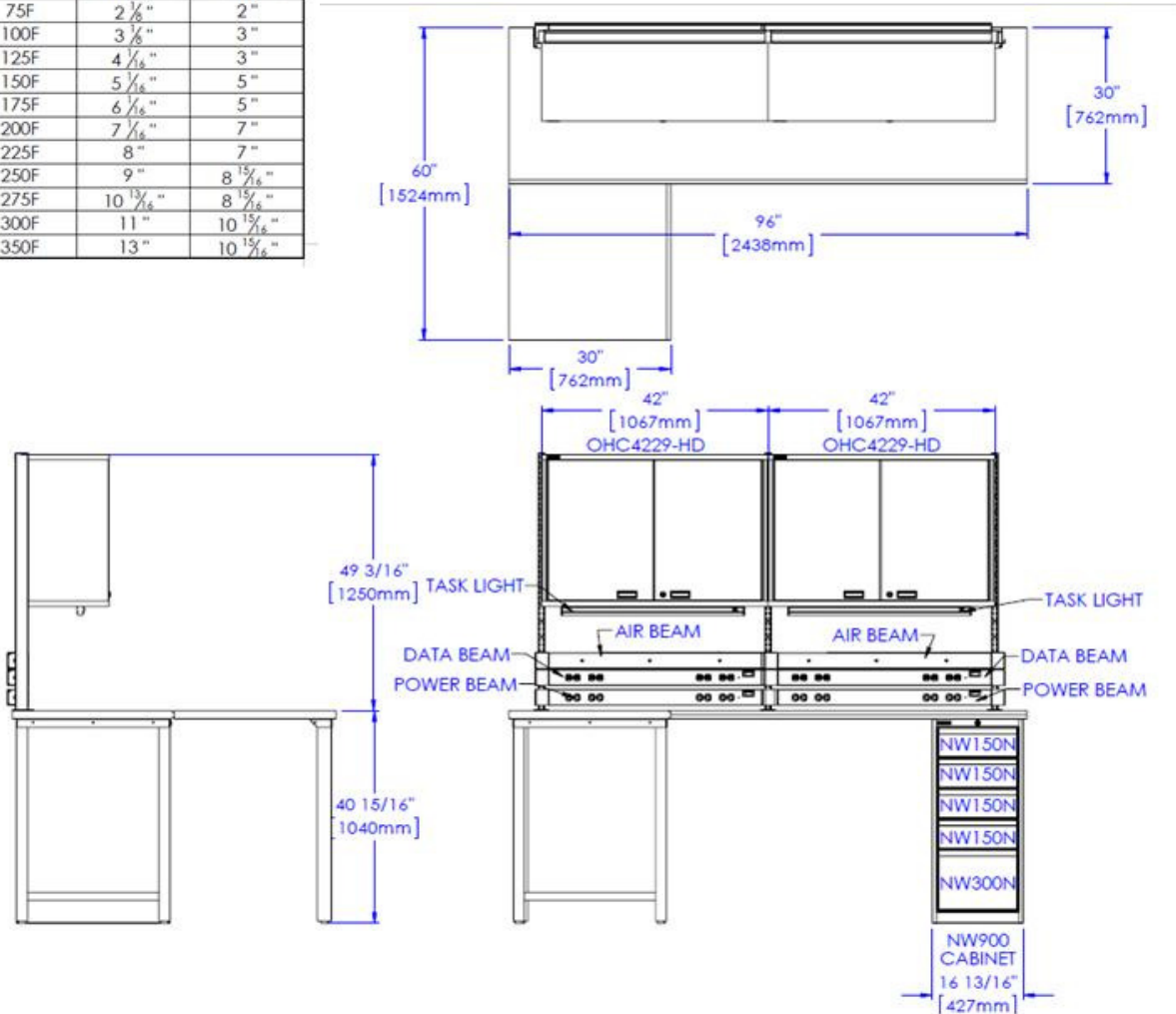
GW87 1

WB-02 Workbench "L" Shaped (96" x 30") with 60" Left Return (cont.)

12640 - Desks

WB-02 Workbench "L" Shaped (96" x 30") with 60" Left Return (cont.)

Drawer	Usable Height	Sidewall Height
75F	2 1/8"	2"
100F	3 1/8"	3"
125F	4 1/8"	3"
150F	5 1/8"	5"
175F	6 1/8"	5"
200F	7 1/8"	7"
225F	8"	7"
250F	9"	8 15/16"
275F	10 13/16"	8 15/16"
300F	11"	10 15/16"
350F	13"	10 15/16"



12640 - Desks

Spec Item No.	Furniture Selection	Qty	Description
WB-03	Workbench (72" x 30")	1	As manufactured by Lista International Corporation
			Each Workbench to Consist of:
		(1)	QQCSTOP-7230BN/BLACK ChemSurf top 72x30 bullnose black
		(1)	WBLL39.5X28.5 Lista Leg, w/Glides 39.5h x 28.5d
		(1)	NW900 NW Housing, 16-7/8w x 28-1/2d
		(4)	NW150N NW Drawer, 5-1/16 Usable Ht, 165lb Cap.
		(4)	NWDR212-150 NW Drawer Layout, 12 Compartments
		(1)	NW300N-FFH NW File Drawer
		(1)	NXF/SM6048 Nexus Frame 60w x 48h
		(1)	-->4691 Powerbeam, 10 outlets & USB 60"
		(1)	-->4688 Databeam SS, 8 Data Ports 60"
		(1)	8951 Airbeam: SS; 3 - 1/4 NPT Outlets; 60"
		(2)	OHC3029-HD Overhead Cabinet - Hinged Door, 30" Wide
		(2)	NX/OHC-BRK29 Nexus OHC Mounting Brackets (Pair), 29 High
		(1)	SP12730-34 Undershelf LED Light Fixture 34"

Finish: #LG Light Grey

Performance Specification: See Performance Specification requirements within this section.

Note: Selected offeror will be responsible for assembly of this unit. For assembly instructions go to: <http://lista-automotive.com/contact/assembly-instructions.aspx>.



See page 2 for imagery and additional spec details.

Locations:

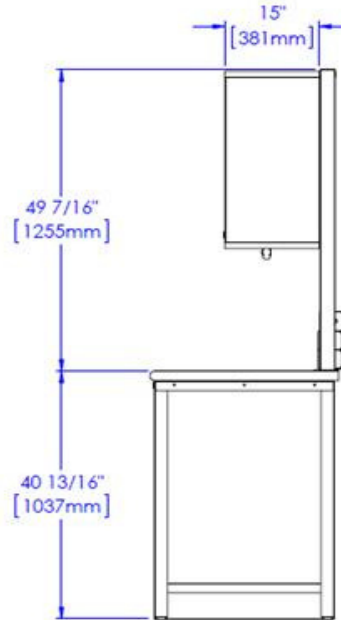
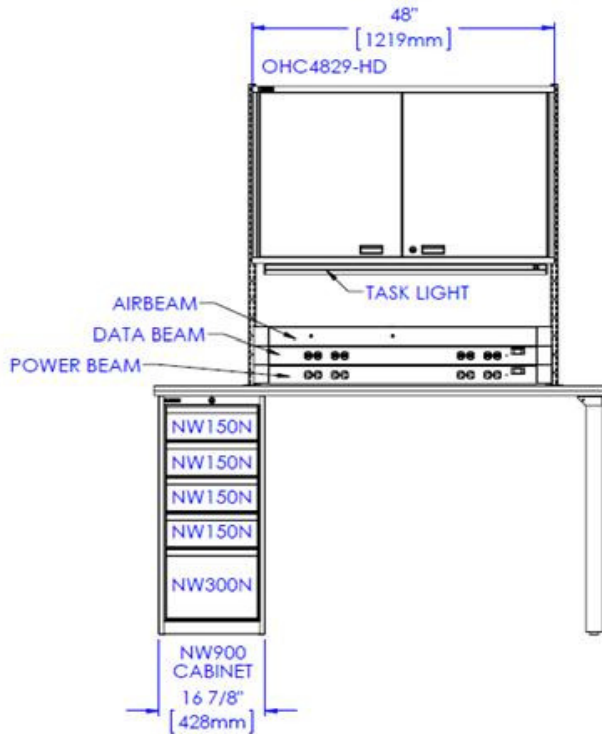
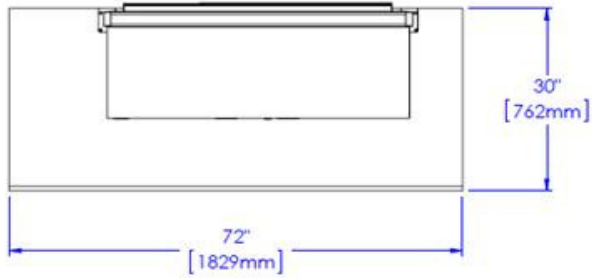
GW67 1

WB-03 Workbench (72" x 30") (cont.)

12640 - Desks

WB-03 Workbench (72" x 30") (cont.)

Drawer	Usable Height	Sidewall Height
75F	2 1/8"	2"
100F	3 3/8"	3"
125F	4 1/4"	3"
150F	5 1/8"	5"
175F	6 1/8"	5"
200F	7 1/8"	7"
225F	8"	7"
250F	9"	8 15/16"
275F	10 13/16"	8 15/16"
300F	11"	10 15/16"
350F	13"	10 15/16"



12640 - Desks

Spec Item No.	Furniture Selection	Qty	Description
WB-04	Workbench (120" x 30")	1	As manufactured by Lista International Corporation
			Each Workbench to Consist of:
		(1)	V-BTOP-120X30 Butcher block top 120" x 30"
		(1)	NXF/SM4248 Nexus Frame 42w x 48h
		(1)	NXF/SM4248A Nexus Adder Frame 42w x 48h
		(1)	NXF/SM2448A Nexus Adder Frame 24w x 48h
		(2)	OHC4229-SD Overhead Cabinet - Sliding Door, 42" Wide
		(2)	NX/OHC-BRK29 Nexus OHC Mounting Brackets (Pair), 29 High
		(2)	SP12730-34 Undershelf LED Light Fixture 34"
		(2)	-->4191 Powerbeam, 8 outlets & USB 42"
		(2)	-->4188 Databeam SS, 8 Data Ports 42"
		(1)	NXPP/2418 Nexus Pegboard Panel
		(1)	NXPP/2430 Nexus Pegboard Panel
		(2)	MP900 MP Housing, 22-3/16w x 28-1/2d
		(2)	MP150F MP Drawer, 5-1/16 Usable Ht, 440lb Cap.
		(2)	MPDR209-150 MP Drawer Layout, 9 Compartments
		(1)	FD750/27L FD Door Left 27U
		(1)	FD750/27R FD Door Right 27U
		(2)	MP-AS Adjustable Shelf
		(2)	MP-BS Bottom Shelf
		(1)	WBLL39.5X28.5 Lista Leg, w/Glides 39.5h x 28.5d

Finish: #LG Light Grey

Performance Specification: See Performance Specification requirements within this section.

Note: Selected offeror will be responsible for assembly of this unit. For assembly instructions go to: <http://lista-automotive.com/contact/assembly-instructions.aspx>.

See page 2 for imagery and additional spec details.

Locations:

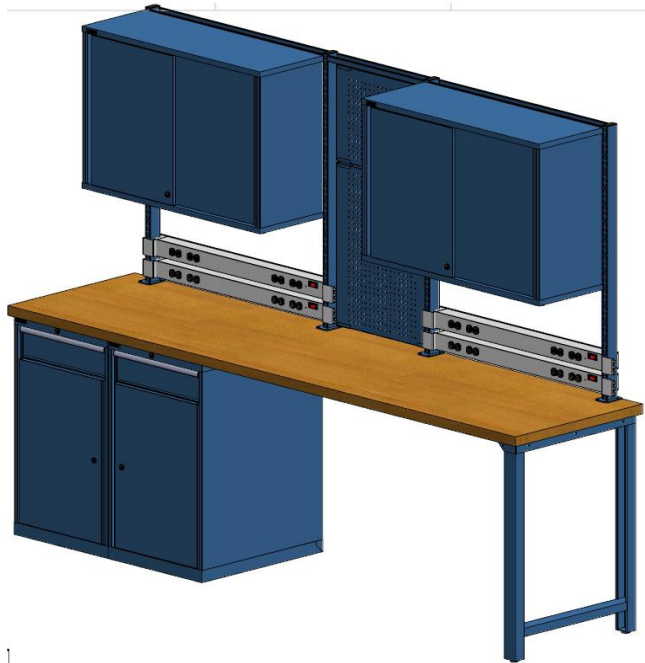
GW88 1

WB-04 Workbench (120" x 30") (cont.)



12640 - Desks

WB-04 Workbench (120" x 30") (cont.)



Drawer	Usable Height	Sidewall Height
75F	2 1/8"	2"
100F	3 1/8"	3"
125F	4 1/8"	3"
150F	5 1/8"	5"
175F	6 1/8"	5"
200F	7 1/8"	7"
225F	8"	7"
250F	9"	8 1/8"
275F	10 13/16"	8 5/8"
300F	11"	10 7/8"
350F	13"	10 15/16"

