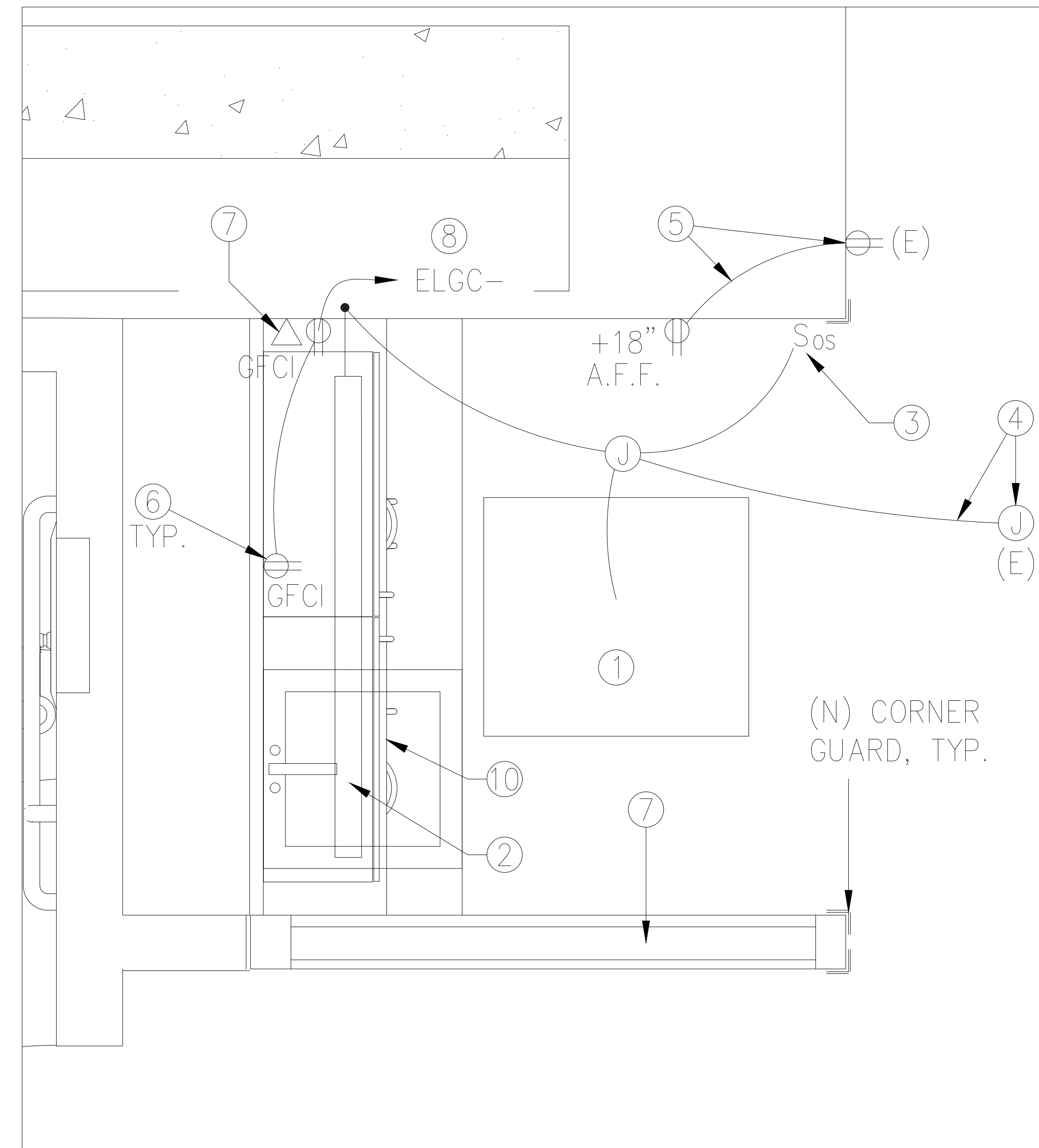


1 DEMO FLOOR PLAN - GA-203A
1" = 1'-0"

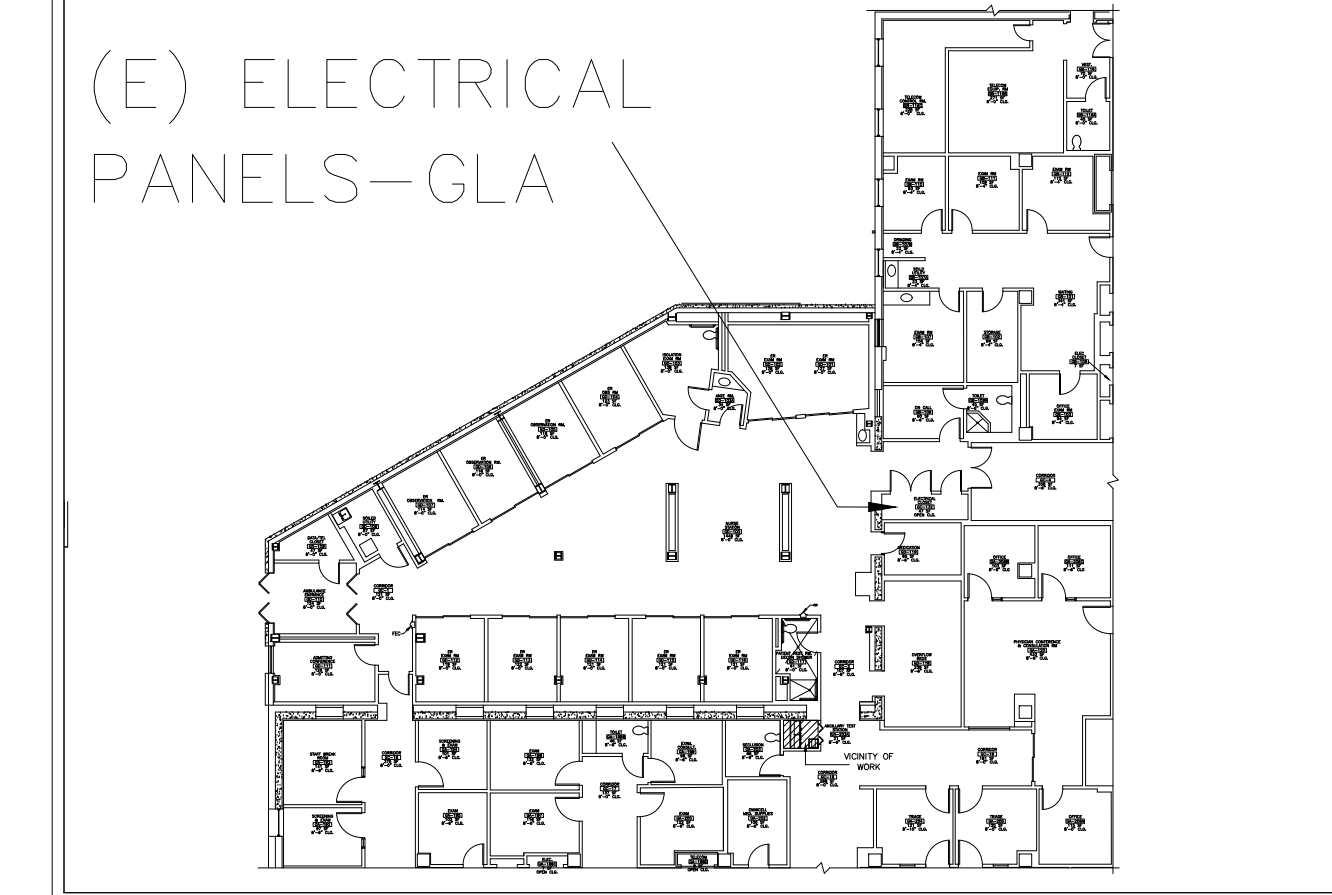


2 (N) FLOOR PLAN - GA-203A
1-1/2" = 1'-0"

GENERAL NOTES:

- ALL WORK TO BE DONE IN CONFORMANCE WITH THE STANDARDS OF THE VETERANS ADMINISTRATION PROGRAM GUIDES FOUND AT WWW.CFM.VA.GOV/TIL AND ALL APPLICABLE CODES AND STANDARDS AT THE DEPT. OF VETERANS ADMINISTRATION MEDICAL CENTER, 4150 CLEMENT STREET, SAN FRANCISCO, CA. 94121.
- THESE NOTES ARE NOT MEANT TO SUPERCEDE ANY VA ISSUED CONTRACT DOCUMENTS. IN THE CASE OF A CONFLICT BETWEEN THESE NOTES AND VA SPECIFICATIONS, STANDARDS OR CONTRACT DOCUMENTS THE VA DOCUMENTS GOVERN.
- DUST CONTROL AND NOISE CONTROL:
AT ALL TIMES DURING CONSTRUCTION AND UNTIL FINAL COMPLETION, THE CONTRACTOR, WHEN HE OR HIS SUBCONTRACTOR ARE OPERATING EQUIPMENT ON THE SITE, SHALL PREVENT THE FORMATION OF ANY AIRBORNE NUISANCE BY WATERING AND/OR TREATING THE SITE OF THE WORK IN SUCH A MANNER THAT WILL CONFINE DUST PARTICLES TO THE IMMEDIATE SURFACE OF THE WORK. THE CONTRACTOR WILL BE RESPONSIBLE FOR ANY DAMAGED CAUSED BY DUST FROM HIS OWN ACTIVITIES OR HIS SUBCONTRACTOR'S ACTIVITIES IN PERFORMING THE WORK UNDER THIS CONTRACT AND SHALL BE RESPONSIBLE FOR ANY CITATIONS, FINES OR CHARGES RESULTING FROM DUST NUISANCE.
IN ADDITION, THE NOISE LEVEL OF THE CONTRACTOR'S OPERATING SHALL BE KEPT TO A MINIMUM AS PER VA STANDARDS.

KEYNOTES: SEE ATTACH APPENDIX KEYNOTES



PARTIAL VICINITY MAP N.T.S.

Revisions Date	CONSULTANTS:	ARCHITECT/ENGINEERS:	Drawing Title (N) ANCILLARY TEST STATION GA-203A FOR EMERGENCY DEPARTMENT	Project Title (N) ANCILLARY TEST STATION GA-203A FOR ER DEPT.	Project Number 662-17-0016	Office of Construction and Facilities Management Department of Veterans Affairs
	Approved Project Director		Location VAMC SAN FRANCISCO CA 94121	Date 05/15/2017	Checked EB	
		Scale: As Noted		Drawing Number PH 1-103		Dwg. 1 of 1