

1 2 3 4 5 6 7 8 9 10

A

B

C

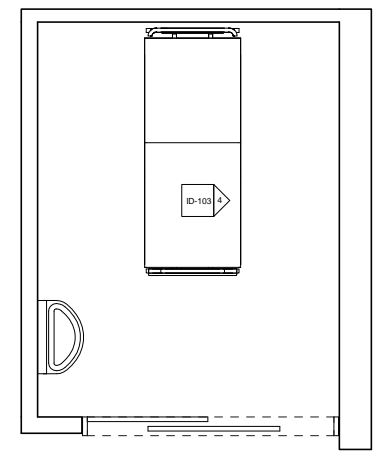
D

E

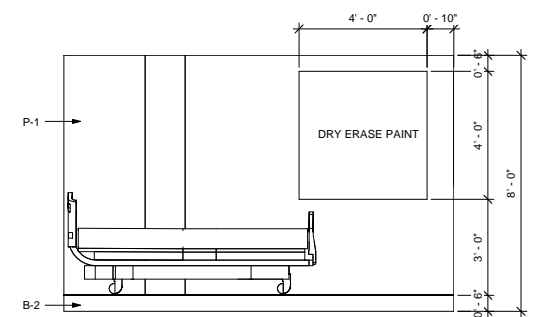
F

**GENERAL NOTES**

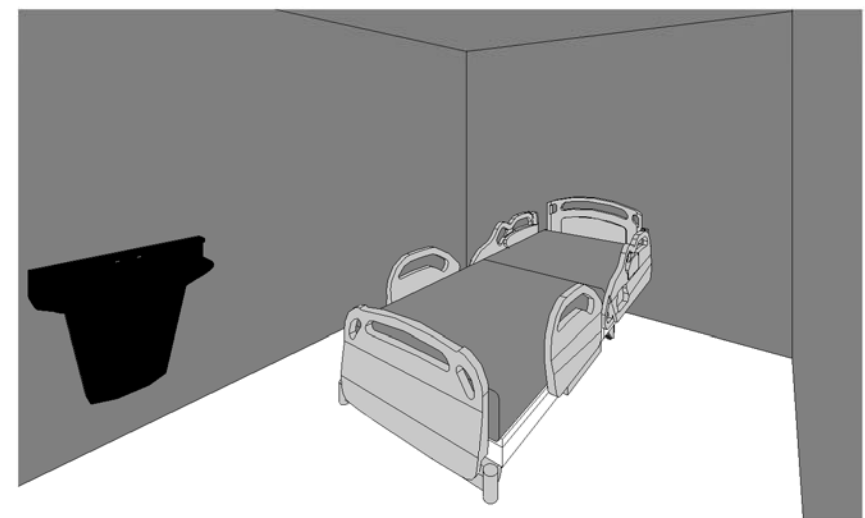
1. DEMOLISH EXISTING SINK.
2. INSTALL NEW SINK ACCORDING TO MANUFACTURERS INSTALLATION.
3. CONTRACTOR TO INSTALL NEW GYPSUM WALLBOARD CEILING WITHIN THE MENTAL HEALTH STANDARDS.
4. FLOORS TO BE STRIPPED AND RE-SEALED.
5. REMOVE ALL ITEMS FROM WALL.
6. WALLS TO BE PATCHED AND PAINTED ACCORDING TO VA STANDARD COLORS.
7. INSTALL NEW HEADWALL IN LOCATIONS INDICATED ON DRAWINGS.
8. INSTALL NEW DOOR ACCORDING TO MANUFACTURERS SPECIFICATIONS.
9. INSTALL BED BUMPER GUARDS ALONG BED WALL.
10. CONTRACTOR TO PAINT PAINT SECTION OF WALL WITH DRY ERASE PAINT AT PROVIDED LOCATION AND ELEVATION, PER DRAWINGS.



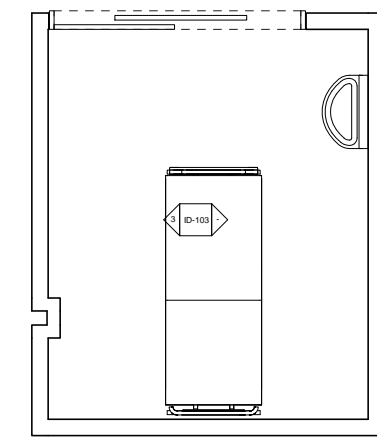
1 ROOM GC-105 (EXAM #8)  
1/2" = 1'-0"



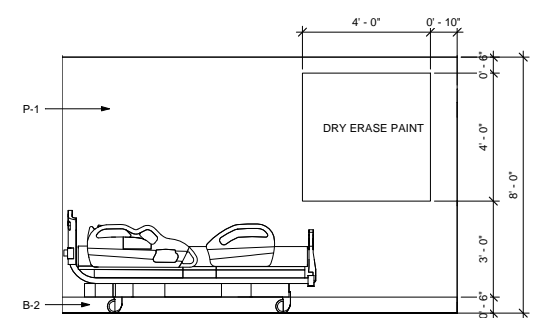
3 SAFE ROOM SPECIALTY PAINT  
1/2" = 1'-0"



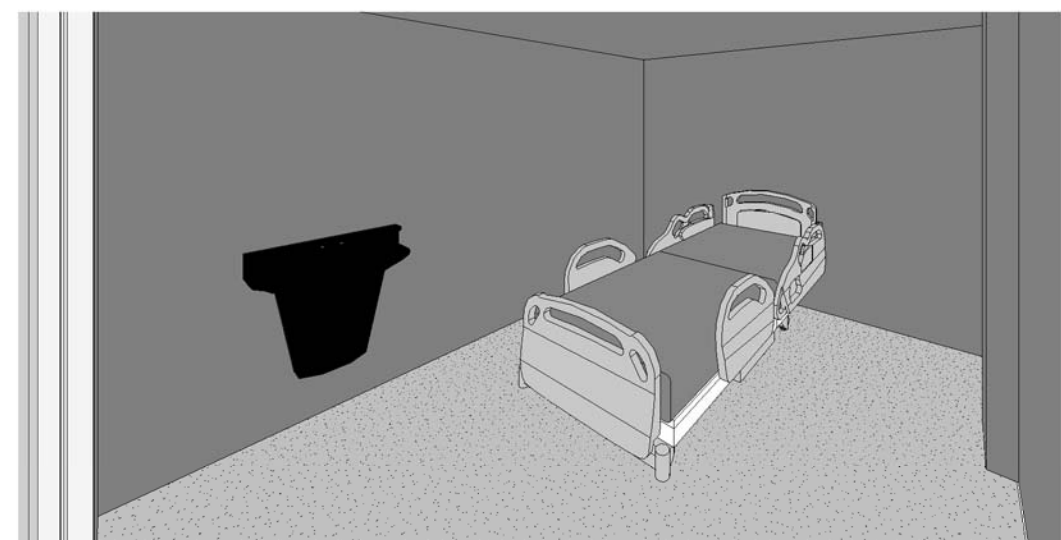
5 SAFE ROOM



2 ROOM GC-114 (EXAM #3)  
1/2" = 1'-0"



4 SAFE ROOM SPECIALTY PAINT  
ELEVATION  
1/2" = 1'-0"



6 SAFE ROOM 2

9/22/2017 11:16:07 PM  
 Engineering/INTERIOR DESIGN/Designer Foster/Gilman/Nunley - BLDG 200 GA-203 - Bathroom Remodel and Point of Care/BLDG 200 RM GA-203  
 11/15/2017

Revisions:	Date:

<b>CONSULTANT</b> Consultant:	<b>ARCHITECT/ENGINEER OF RECORD</b> A/E:	<b>STAMP</b>

Office of Construction and Facilities Management  
**VA** U.S. Department of Veterans Affairs

Drawing Title <b>SAFE ROOM FLOOR PLAN</b>	Phase
Approved:	

Project Title EMERGENCY DEPARTMENT SAFE ROOM		Project Number # 662-17-0016
Location SAN FRANCISCO VA MEDICAL CENTER		Building Number BLDG 200
Issue Date 5/19/2017	Checked 	Drawn GCM

Drawing Number <b>ID-103</b>
---------------------------------

VA FORM 08-4231 1 2 3 4 5 6 7 8 9 10