



**BUILDING CODE COMPLIANCE OFFICE (BCCO)  
PRODUCT CONTROL DIVISION**

**MIAMI-DADE COUNTY, FLORIDA  
METRO-DADE FLAGLER BUILDING  
140 WEST FLAGLER STREET, SUITE 1603  
MIAMI, FLORIDA 33130-1563  
(305) 375-2901 FAX (305) 375-2908**

**NOTICE OF ACCEPTANCE (NOA)**

---

**Wausau Window and Wall Systems  
P.O. Box 1746  
Wausau, WI 54402**

**SCOPE:**

This NOA is being issued under the applicable rules and regulations governing the use of construction materials. The documentation submitted has been reviewed by Miami-Dade County Product Control Division and accepted by the Board of Rules and Appeals (BORA) to be used in Miami Dade County and other areas where allowed by the Authority Having Jurisdiction (AHJ).

This NOA shall not be valid after the expiration date stated below. The Miami-Dade County Product Control Division (In Miami Dade County) and/or the AHJ (in areas other than Miami Dade County) reserve the right to have this product or material tested for quality assurance purposes. If this product or material fails to perform in the accepted manner, the manufacturer will incur the expense of such testing and the AHJ may immediately revoke, modify, or suspend the use of such product or material within their jurisdiction. BORA reserves the right to revoke this acceptance, if it is determined by Miami-Dade County Product Control Division that this product or material fails to meet the requirements of the applicable building code.

This product is approved as described herein, and has been designed to comply with the High Velocity Hurricane Zone of the Florida Building Code.

**DESCRIPTION: Series 3250 HP Aluminum Fixed Window – Small Missile Impact Resistant**

**APPROVAL DOCUMENT:** Drawing No. 1085, titled: **3250 HP Fixed Window (Small Missile Impact)**, sheets 1 through 3, prepared by W. W. Schaefer Engineering & Consulting, P.A., dated 01/25/02, signed and sealed by Warren W. Schaefer, P.E., bearing the Miami-Dade County Product Control Approval stamp with the Notice of Acceptance number and approval date by the Miami-Dade County Product Control Division.

**MISSILE IMPACT RATING: Small Missile Impact Resistant**

**LABELING:** Each unit shall bear a permanent label with the manufacturer's name or logo, city, state and following statement: "Miami-Dade County Product Control Approved", unless otherwise noted herein.

**RENEWAL** of this NOA shall be considered after a renewal application has been filed and there has been no change in the applicable building code negatively affecting the performance of this product.

**TERMINATION** of this NOA will occur after the expiration date or if there has been a revision or change in the materials, use, and/or manufacture of the product or process. Misuse of this NOA as an endorsement of any product, for sales, advertising or any other purposes shall automatically terminate this NOA. Failure to comply with any section of this NOA shall be cause for termination and removal of NOA.

**ADVERTISEMENT:** The NOA number preceded by the words Miami-Dade County, Florida, and followed by the expiration date may be displayed in advertising literature. If any portion of the NOA is displayed, then it shall be done in its entirety.

**INSPECTION:** A copy of this entire NOA shall be provided to the user by the manufacturer or its distributors and shall be available for inspection at the job site at the request of the Building Official.

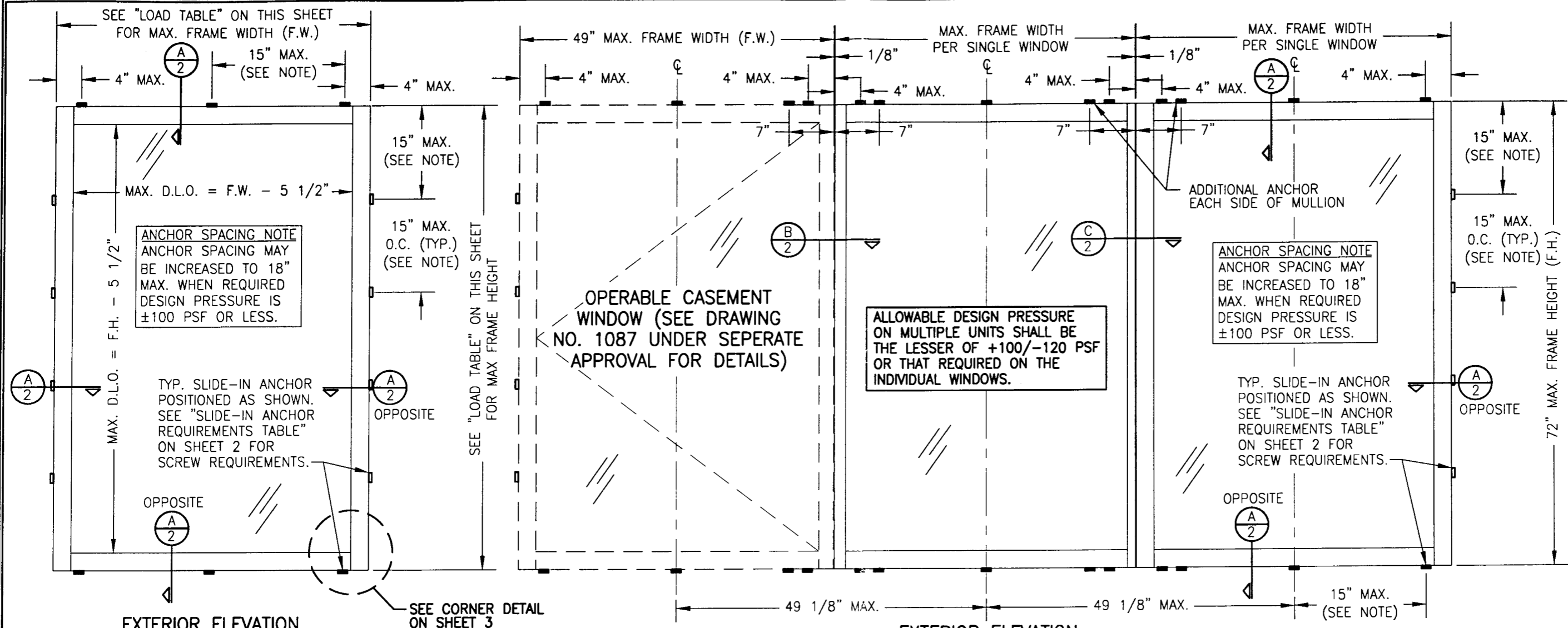
This NOA consists of this page 1 as well as approval document mentioned above.

The submitted documentation was reviewed by **Manuel Perez, P.E.**



**NOA No 02-0215.12  
Expiration Date: April 25, 2007  
Approval Date: April 25, 2002  
Page 1**

DRAWN BY: J.C.F.	CHECKED BY: W.W.S.
PLOT: 1=16	DATE: 01/25/02
DATE	BY
REVISION DESCRIPTION	NO.



**EXTERIOR ELEVATION  
SINGLE FIXED WINDOW**  
SCALE: 3/4"=1'-0"

**EXTERIOR ELEVATION  
MULTIPLE FIXED AND CASEMENT WINDOWS  
(MORE THAN THREE WINDOWS MAY BE COMBINED HORIZONTALLY)**  
SEE OTHER ELEVATION FOR FIXED WINDOW DETAILS  
SCALE: 3/4"=1'-0"

Approved as complying with the  
Florida Building Code  
Date: 01/25/2002  
NOA# 02-0215-12  
Miami Dade Product Control  
Division  
By: *Marcus Perez*

ALLOWABLE DESIGN PRESSURE												
(1) SHORT DIMENSION	DESIGN LOAD CAPACITY (POSITIVE & NEGATIVE PSF)											
	POS.	NEG.	POS.	NEG.	POS.	NEG.	POS.	NEG.	POS.	NEG.	POS.	NEG.
30"	100.0	120.0	100.0	120.0	100.0	120.0	100.0	120.0	100.0	120.0	100.0	120.0
36"	100.0	120.0	100.0	120.0	100.0	120.0	100.0	120.0	100.0	120.0		
42"	100.0	120.0	100.0	120.0	100.0	120.0	100.0	120.0				
49"	100.0	120.0	100.0	120.0	100.0	120.0						
54"	90.7	108.9	90.7	108.9								
59"	83.1	99.7										
(1) LONG DIMENSION	59"	65"	72"	84"	98"	117"						

**TABLE NOTES:**  
 (1) ALL WINDOW DIMENSION VALUES SHOWN ARE +/- 1/2" & ARE FRAME (F.H. & F.W.) DIMENSIONS  
 (2) THOSE SIZES WITH LOADS LISTED ARE MAXIMUM ALLOWABLE SIZES AT THAT LOAD. IF NO LOAD IS LISTED FOR A GIVEN SIZE, THAT SIZE EXCEEDS ALLOWABLE AND IS NOT ACCEPTABLE.

**NOTE: WHEN DIRECT MOUNTING TO A BLOCK/CONCRETE OPENING WITH CONCR. SCREWS, THE HEAD & SILL MUST BE CONCRETE, THE SIDES MAY BE BLOCK OR CONCRETE.**

- GENERAL NOTES**
- THESE WINDOW SYSTEMS HAVE BEEN TESTED, ANALYZED AND APPROVED FOR DESIGN PRESSURES NOT TO EXCEED THOSE SHOWN IN THE "ALLOWABLE DESIGN LOAD" TABLE.
  - BUCKING, OPENINGS & BUCKING FASTENERS MUST BE PROPERLY DESIGNED & INSTALLED TO TRANSFER WIND LOADS TO THE STRUCTURE.
  - ALL HARDWARE & FASTENERS SHALL BE IN ACCORDANCE WITH THESE DRAWINGS & MAY NOT VARY UNLESS SPECIFICALLY MENTIONED ON THE DRAWINGS.
  - THE DETAILS & SPECIFICATIONS SHOWN HEREIN REPRESENT THE PRODUCTS TESTED & PROPOSED FOR WATER, AIR, IMPACT, CYCLIC & UNIFORM STATIC AIR PRESSURE TESTING IN CONFORMANCE WITH DADE COUNTY PROTOCOLS PA 201, 202 & 203 FOR SMALL MISSILE IMPACT WINDOWS.
  - THESE WINDOW SYSTEMS HAVE BEEN DESIGNED IN ACCORDANCE WITH THE SOUTH FLORIDA BUILDING CODE, 1994 MIAMI-DADE COUNTY EDITION.
  - ALL ANCHORS SHALL BE INSTALLED AS SPECIFIED ON THESE DRAWINGS. SPECIFIED EMBEDMENT TO BASE MATERIAL SHALL BE BEYOND WALL FINISH OR STUCCO.
  - THERE SHALL BE NO LIMIT TO THE NUMBER OF HORIZONTAL PANELS USED FOR ANY JOB PROVIDING ALL RESTRICTIONS ARE MET PER THE ELEVATIONS.
  - ALL SUBSTRATE SHALL HAVE THE FOLLOWING MINIMUM REQUIREMENTS.
    - ALL CONCRETE SUBSTRATE SHALL BE MIN. 3000 PSI.
    - ALL WOOD SUBSTRATE SHALL BE MIN. G = 0.55 DENSITY.
    - ALL METAL STUD SUBSTRATE SHALL BE MIN. 16 GA. Fy = 50 ksi.
    - ALL STRUCTURAL STEEL SUBSTRATE SHALL BE MIN. 12 GA. Fy = 36 ksi.
  - THESE WINDOWS ARE SMALL MISSILE IMPACT RATED & MAY NOT BE INSTALLED AT ELEVATIONS BELOW 30 FT. ABOVE GRADE WITHOUT AN APPROVED SHUTTER.

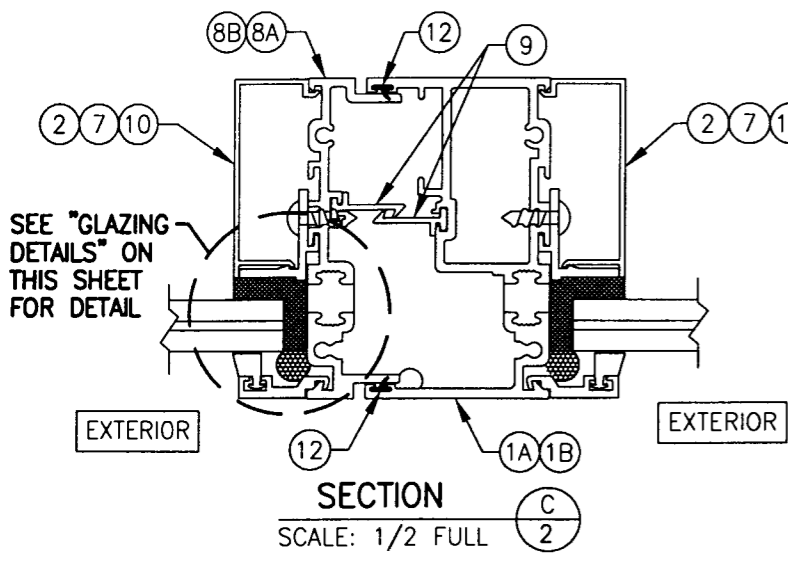
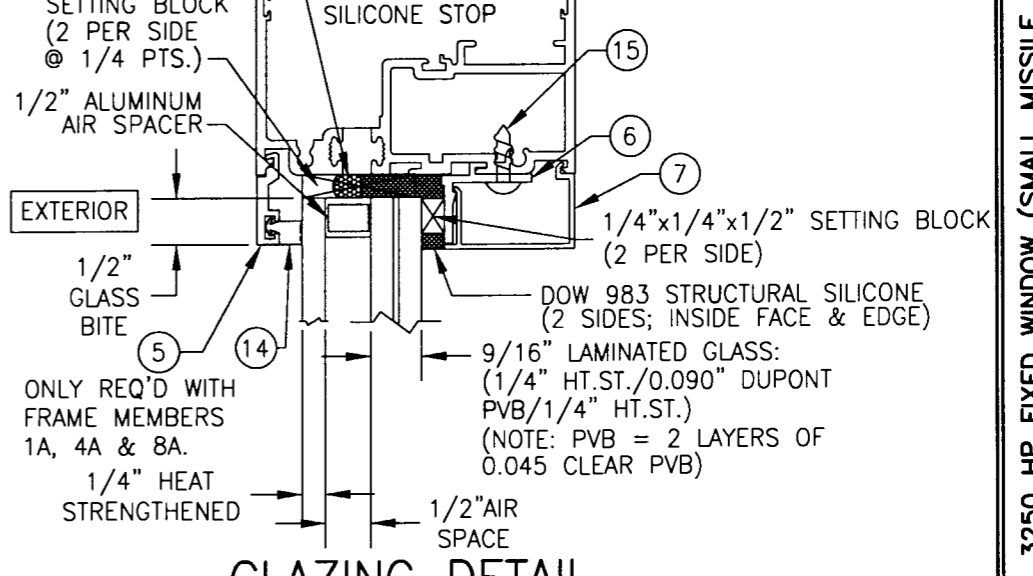
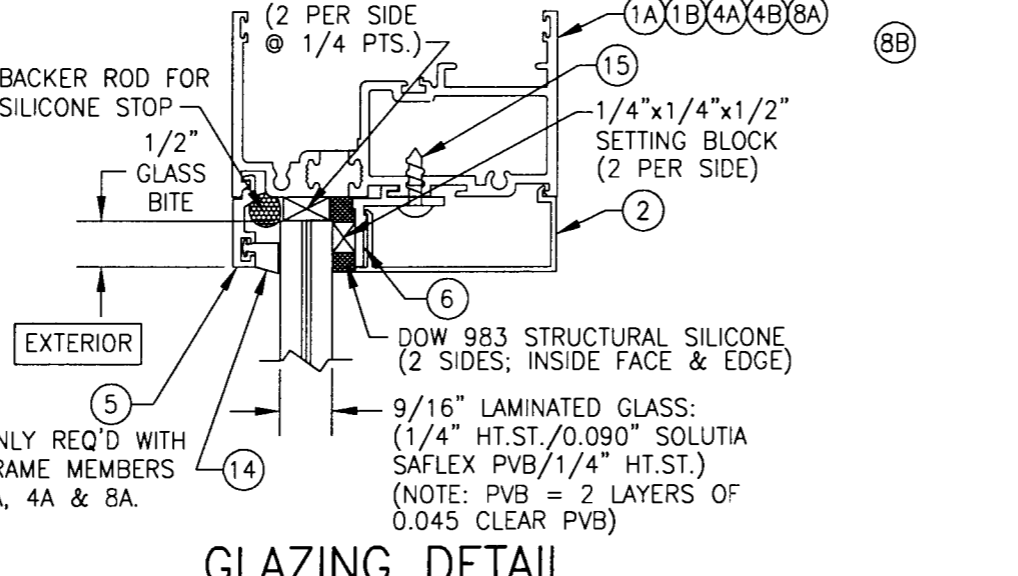
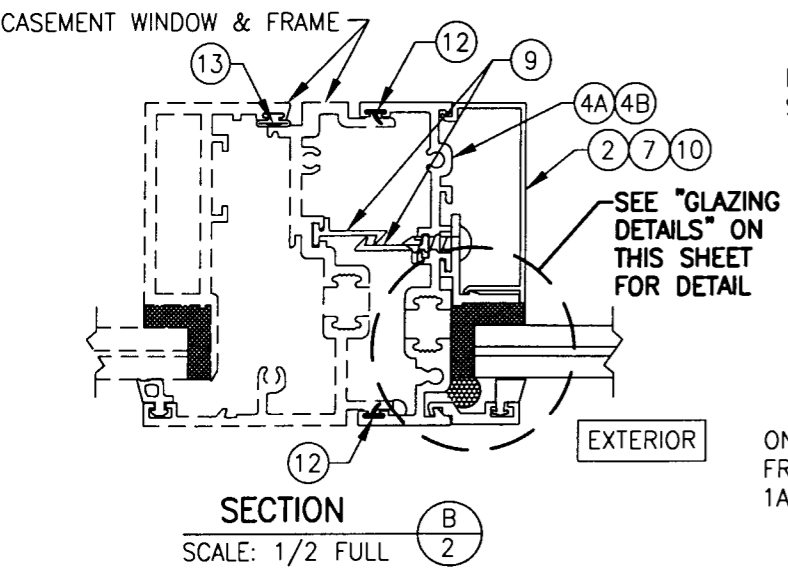
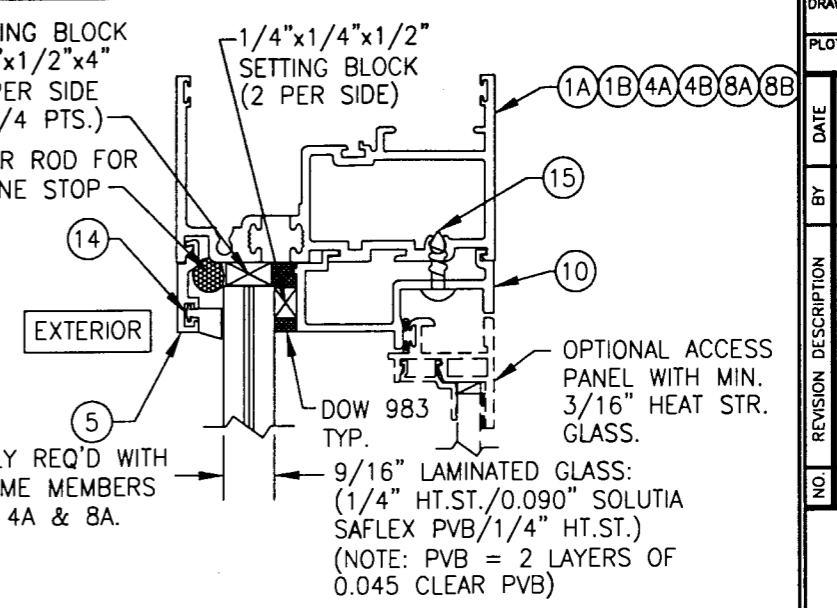
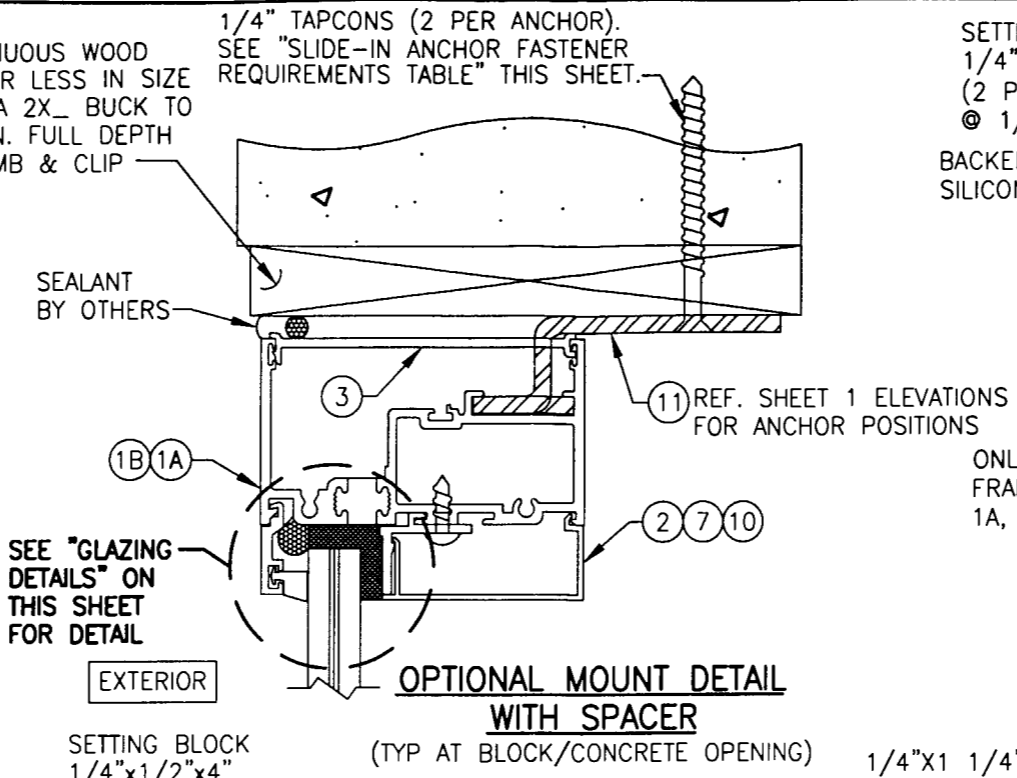
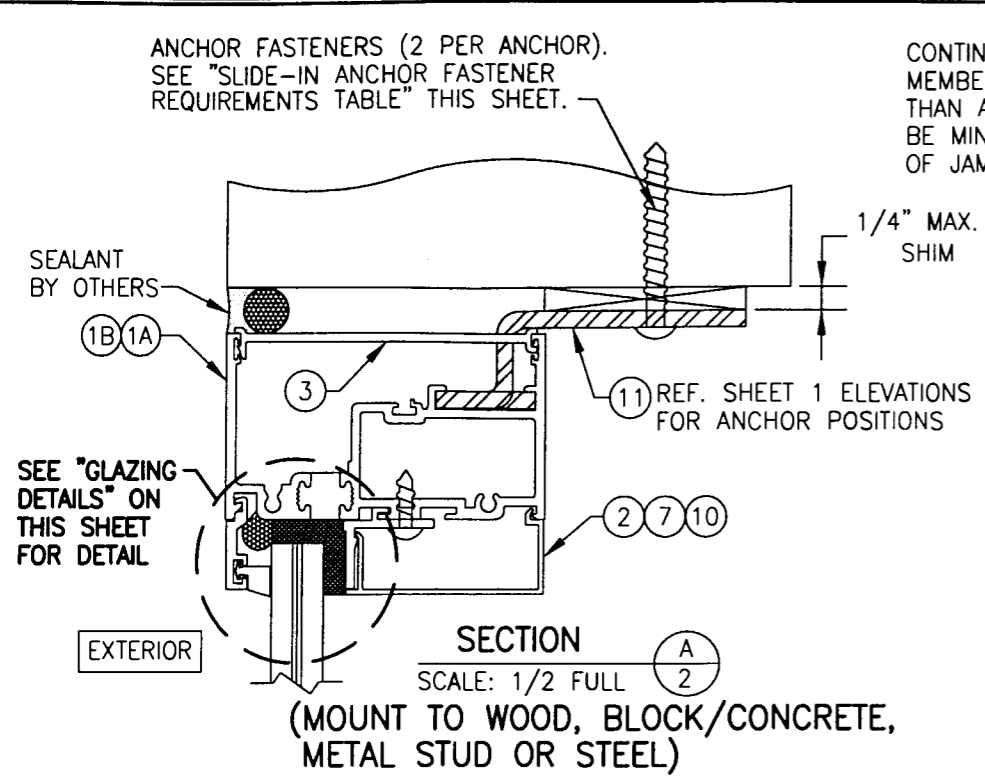
**3250 HP FIXED WINDOW (SMALL MISSILE IMPACT)**

MANUFACTURER  
**WAUSAU WINDOW & WALL SYSTEMS**  
 1415 WEST STREET  
 P.O. BOX 1746  
 WAUSAU, WI. 54402-1746  
 715-845-2161

CONSULTANTS  
**W. W. SCHAEFER ENGINEERING & CONSULTING, P.A.**  
 600 SANDTREE DRIVE, SUITE 203B  
 PALM BEACH GARDENS, FL 33403  
 PHONE: 561-775-4902 FAX: 561-775-4903

CERTIFICATION  
**APR 01 2002**  
 WARREN W. SCHAEFER, P.E.  
 P.E. NO. 44135

DRAWING NO. **1085** REV.  
 SHEET NO. **1** OF **3**



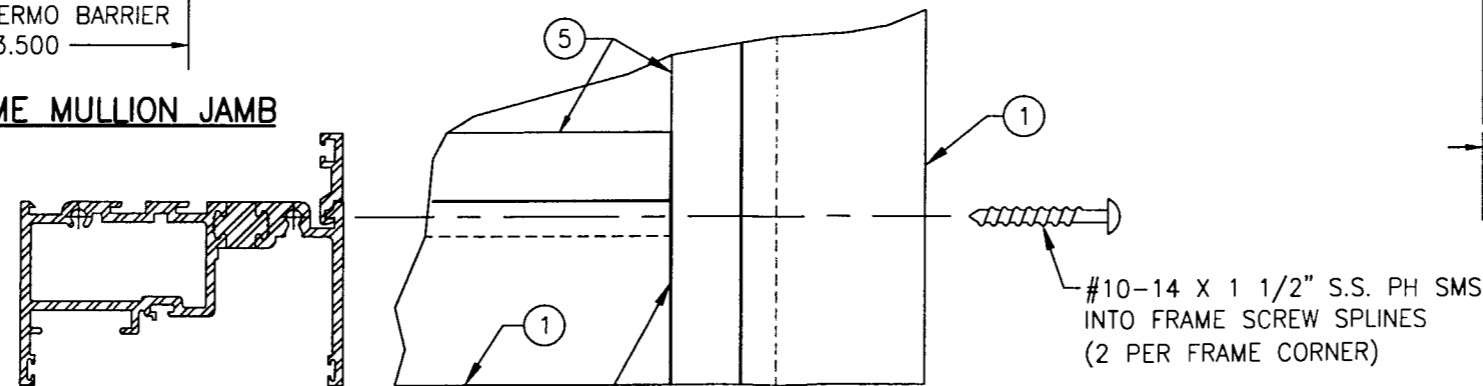
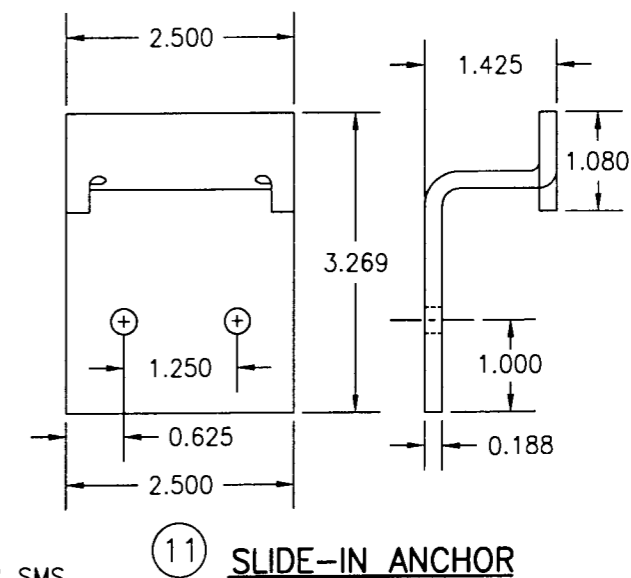
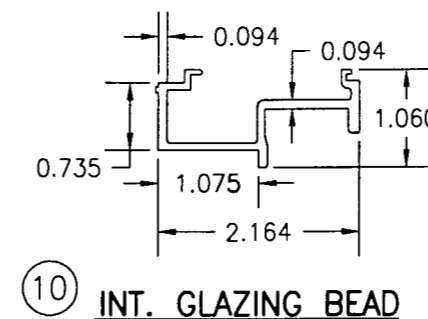
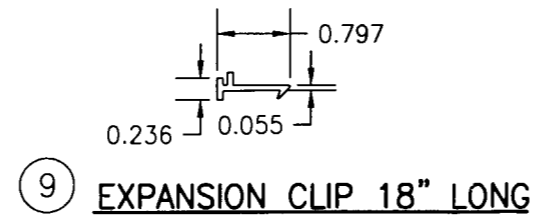
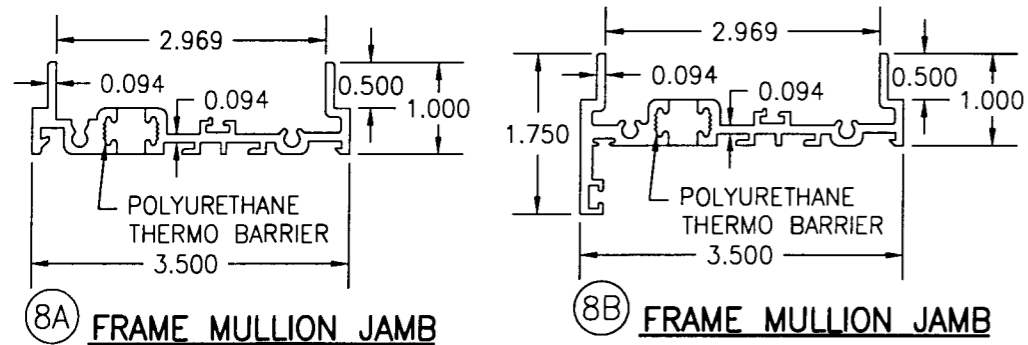
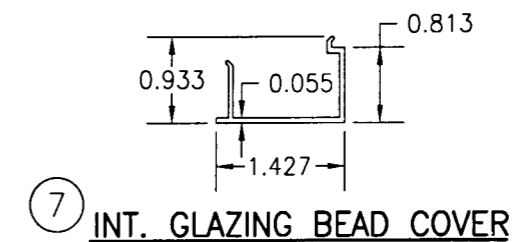
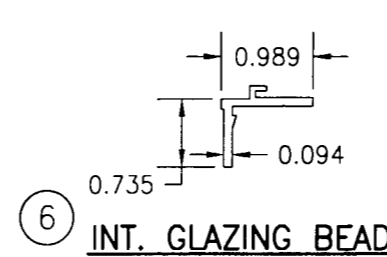
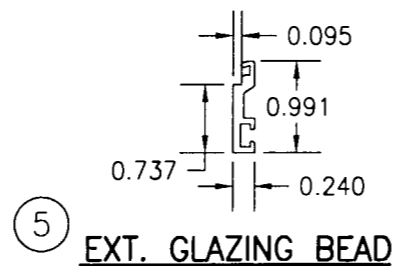
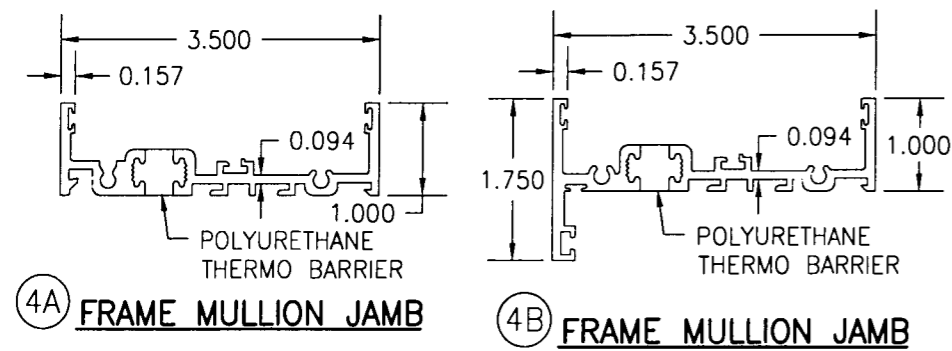
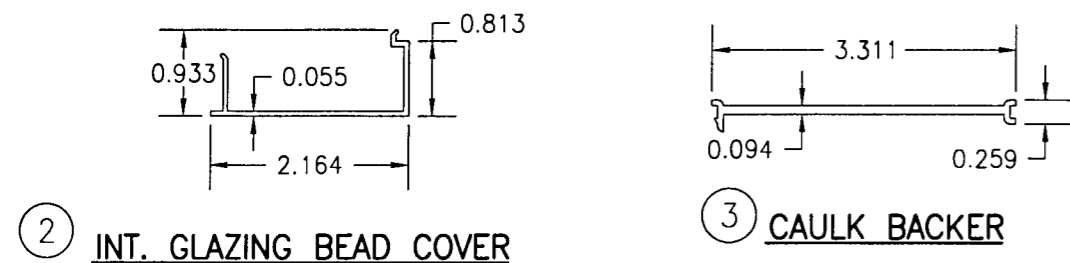
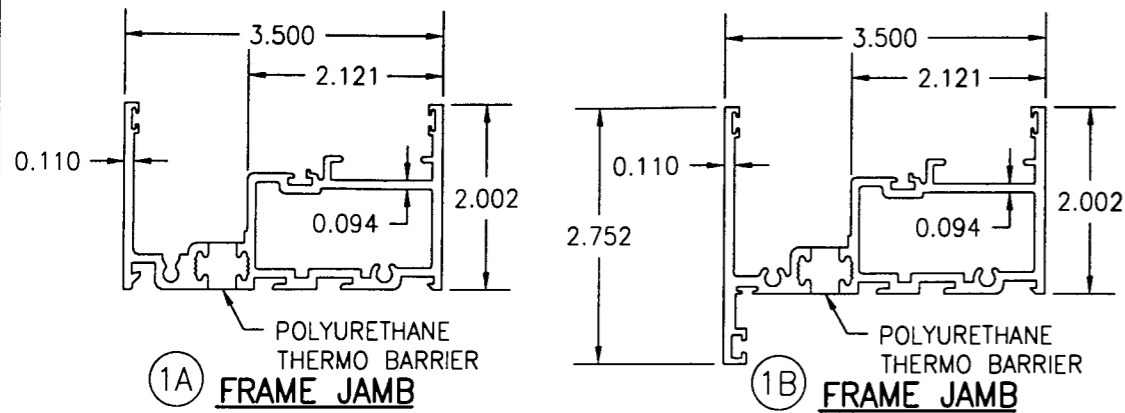
OPENING TYPE (SUBSTRATE)	ANCHOR TO OPENING FASTENER TYPE	NO. FASTENERS PER ANCHOR INTO SUBSTRATE	MINIMUM EMBED	MINIMUM EDGE DIST.
WOOD	NO. 14 S.S. SMS	2	1 3/8"	1"
MIN. 16 GA. STUD	NO. 14 TEK SCREW	2	FULL	1/2"
MIN. 12 GA. STRUCT. STEEL	NO. 14 TEK SCREW	2	FULL	1/2"
BLOCK/CONCRETE	(1) 1/4" CONCRETE SCREW	2	1 1/4"	2 1/4"

(1) CONCRETE SCREWS SHALL BE ITW RAMSET/RED HEAD TAPCONS, HILTI KWIK-CON II OR POWERS RAWL TAPPER (HARDENED STEEL OR S.S.).

**ANCHOR NOTE:** WHEN ANCHORED TO A BLOCK/CONCRETE OPENING CLIPS MAY BE EITHER DIRECT MOUNTED TO THE OPENING, MOUNTED ONTO A CONTINUOUS WOOD SPACER, OR ANCHORED TO A MIN. 2X NO. 3 SOUTHERN PINE WOOD BUCK. WHEN ANCHORED TO A 2X BUCK, NO. 14 SCREWS SHALL BE USED. WHEN DIRECT MOUNTED OR MOUNTED WITH SPACER, 1/4" CONCR. SCREWS SHALL BE USED. SEE "ANCHOR REQUIREMENTS TABLE" FOR EMBED REQUIREMENTS. PROPER MATERIAL SHALL BE USED BETWEEN ALL DISSIMILAR MATERIALS (BLOCK/CONCRETE, STEEL & ALUMINUM).

Approved as complying with the Florida Building Code  
 Date: 04/25/2002  
 NOA# 02-0215-12  
 Miami Dade Product Control Division  
 By: *[Signature]*

DRAWN BY: J.C.F.	CHECKED BY: W.W.S.
PLOT: 1=2	DATE: 01/25/02
DATE	BY
REVISION DESCRIPTION	NO.
DRAWING TITLE 3250 HP FIXED WINDOW (SMALL MISSILE IMPACT)	
MANUFACTURER WAUSAU WINDOW & WALL SYSTEMS 1415 WEST STREET P.O. BOX 1746 WAUSAU, WI. 54402-1746 715-845-2161	
CONSULTANTS W. W. SCHAEFER ENGINEERING & CONSULTING, P.A. 600 SANOTREE DRIVE, SUITE 203B PALM BEACH GARDENS, FL 33403 PHONE: 561-775-4902 FAX: 561-775-4903	
CERTIFICATION APR 01 2002	WARREN W. SCHAEFER, P.E. P.E. NO. 44135
DRAWING NO. 1085	REV.
SHEET NO. 2 OF 3	



SCHNEE-MOREHEAD SEALANT #SM5504 AT EXTERIOR PORTION OF JOINT BETWEEN FRAME MEMBERS.

**FRAME CORNER DETAIL**  
OUTSIDE VIEW

ITEM #	PART	ITEM DESCRIPTION	MANUFACTURER/NOTES
PARTS			
1A	313052	MAIN FRAME JAMB	6063-T6 ALUMINUM
1B	313109	OPTIONAL MAIN FRAME JAMB	6063-T6 ALUMINUM
2	805672	INTERIOR GLAZING BEAD COVER	6063-T6 ALUMINUM
3	445	CAULK BACKER (LENGTH OF JAMB, NOTCHED FOR ANCHOR)	PVC
4A	313050	FRAME JAMB AT FIXED TO CASEMENT MULLION	6063-T6 ALUMINUM
4B	313105	OPTIONAL FRAME JAMB AT FIXED TO CASEMENT MULLION	6063-T6 ALUMINUM
5	805669	EXTERIOR GLAZING BEAD	6063-T6 ALUMINUM
6	805670	INTERIOR GLAZING BEAD	6063-T6 ALUMINUM
7	805676	INTERIOR GLAZING BEAD COVER	6063-T6 ALUMINUM
8A	313056	FRAME JAMB AT FIXED TO FIXED MULLION	6063-T6 ALUMINUM
8B	313107	OPTIONAL FRAME JAMB AT FIXED TO FIXED MULLION	6063-T6 ALUMINUM
9	907290	EXPANSION CLIP 18" LONG @ MIDSPAN OF MULL.	6063-T6 ALUMINUM
10	805674	INTERIOR GLAZING BEAD (USED WITH OPTIONAL INT. PANEL)	6063-T6 ALUMINUM
11	134790	SLIDE-IN ANCHOR	7 GA. ZINC PLATED STEEL
SEALS & SEALANTS			
12	9680	WEATHER STRIP	RIGID PVC ALCRYN/CLIM-TECH.
13	9989	BULB GASKET	THERMO PLASTIC/ULTRA FAB
14	6676	SOLID GLAZING GASKET	SILICONE/TREMCO
FASTENERS			
15	-	#10-32 X 5/8" S.S. PH (2/GLAZING BEAD @ 1/4 PTS.)	

DRAWN BY: J.C.F.	CHECKED BY: W.W.S.
PLOT: 1-2	DATE: 01/25/02
DATE	
BY	
REVISION DESCRIPTION	
NO.	

**3250 HP FIXED WINDOW (SMALL MISSILE IMPACT)**

MANUFACTURER  
**WAUSAU WINDOW & WALL SYSTEMS**  
1415 WEST STREET  
P.O. BOX 1746  
WAUSAU, WI. 54402-1746  
715-845-2161

CONSULTANTS  
**W. W. SCHAEFER ENGINEERING & CONSULTING, P.A.**  
600 SANDTREE DRIVE, SUITE 203B  
PALM BEACH GARDENS, FL 33403  
PHONE: 561-775-4902 FAX: 561-775-4903

DRAWING TITLE

CERTIFICATION  
**APR 01 2002**  
WARREN W. SCHAEFER, P.E.  
P.E. NO. 44135

Approved as complying with the Florida Building Code  
Date: **04/25/2002**  
NOA# **02-0215-12**  
Miami Dade Product Control  
Division  
By: *Manuel*

DRAWING NO. <b>1085</b>	REV.
SHEET NO. <b>3</b>	OF <b>3</b>