

SAMSUNG

SAMSUNG GC85



SIoux FALLS VA MEDICAL CENTER

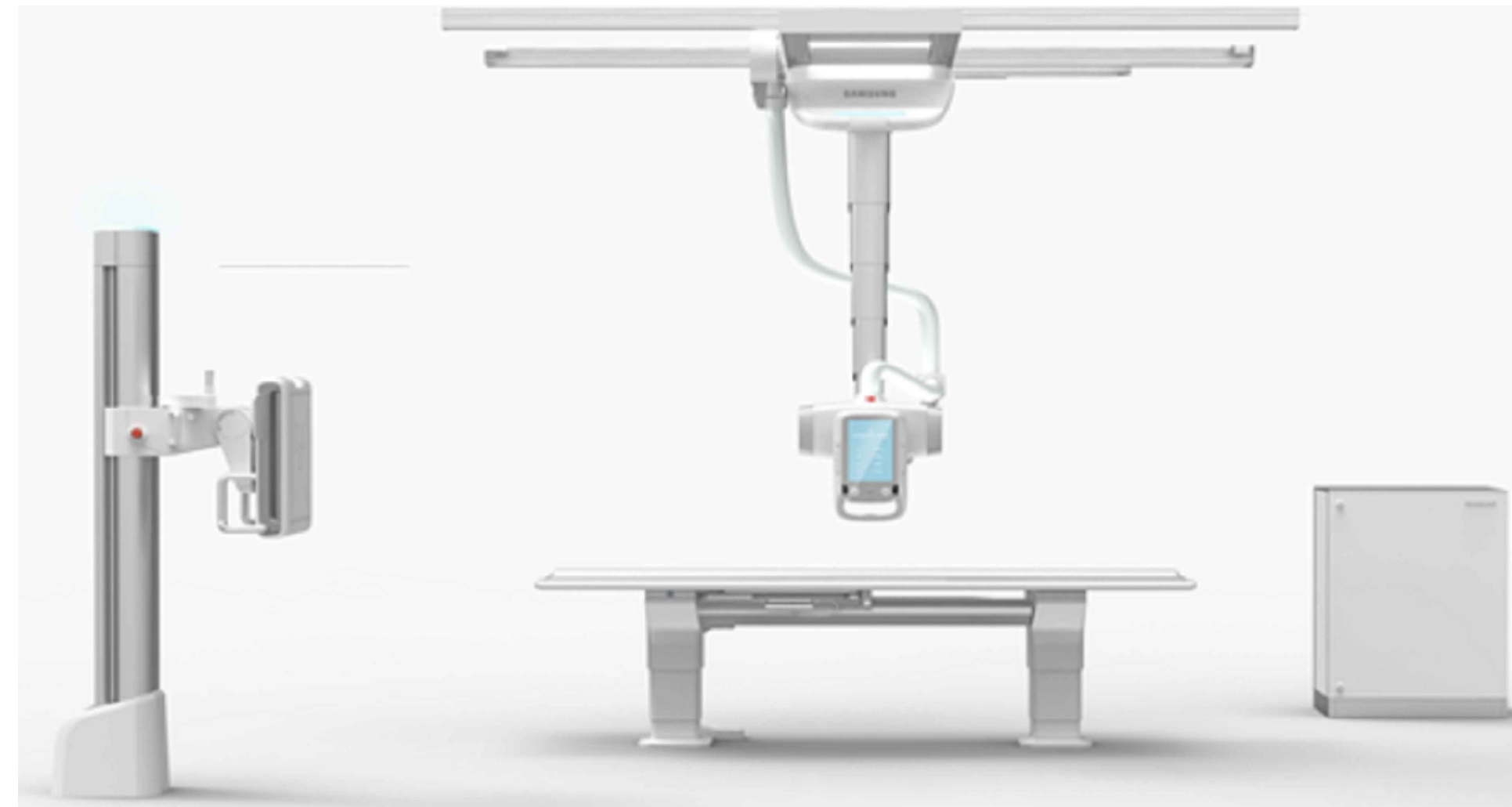
2501 WEST 22ND ST, SIOUX FALLS, SD, 57105

~ DRAWING INDEX ~

A1.1	EQUIPMENT LAYOUT ROOM 146
A1.2	EQUIPMENT LAYOUT ROOM 164
AN	NOTES
E1	ELECTRICAL LAYOUT GC85 ROOM# A21
E2	ELECTRICAL LAYOUT GC85 ROOM# A20
E1.1	ELECTRICAL DETAILS
E1.3	MAIN PANEL DETAILS
S1	OVERHEAD STRUCTURAL LAYOUT ROOM #A21
S2	OVERHEAD STRUCTURAL LAYOUT ROOM #A20
S1.1	STRUCTURAL NOTES GENERAL CONNECTION DETAILS
Q1	EQUIPMENT DETAILS GC85
QE1	EQUIPMENT CABLE LENGTH GC85

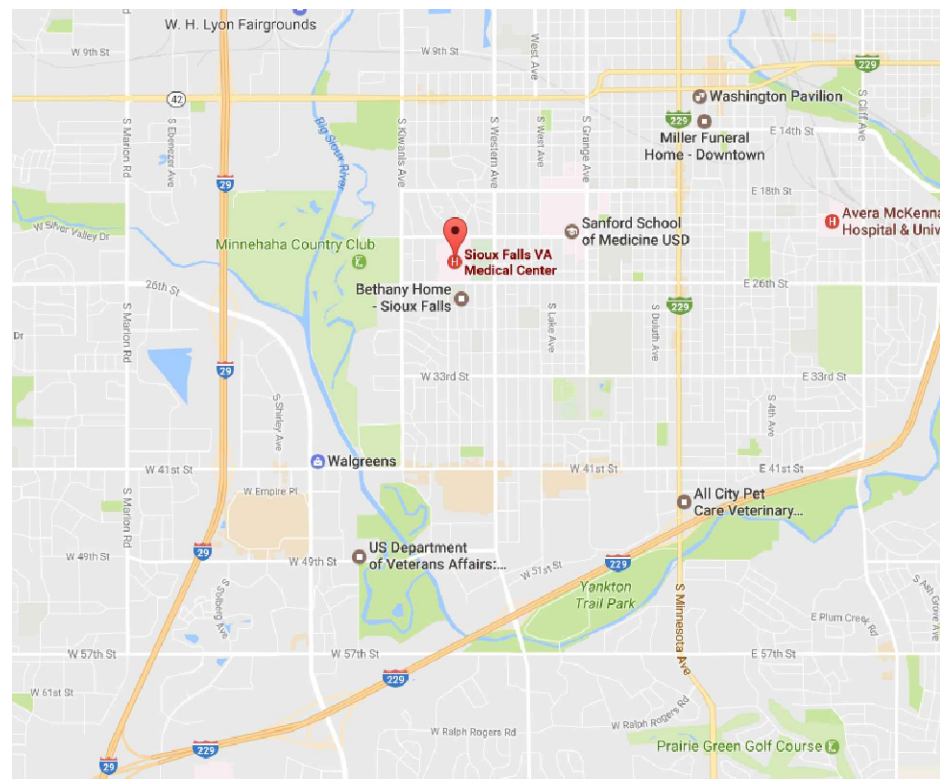
PROJECT MANAGER: SHAWN SALANDER
5257 27TH ST S. SUITE 101
FARGO, NORTH DAKOTA
58104

OFFICE PHONE 701-297-0305
CELL PHONE 701-371-0505
E-MAIL SSALANDER@IMAGINGSOLUTIONSINC.COM



- SITE PROGRESS CHECKLIST -

- REVIEW EQUIPMENT ORDER FOR EXACT ITEMS PURCHASED. OPTIONAL/- FUTURE ITEMS NOT ON ORDER MAY BE INDICATED ON THESE PLANS.
- ALL ROOM DIMENSIONS ARE CRITICAL! IMMEDIATELY CONTACT GENE NOWACZYK AT RADSOURCE IF CHANGES OCCUR OR DIMENSIONS ARE NOT CORRECT.
- CONTACT A RADIATION PHYSICIST OR CONSULTANT TO SPECIFY REQUIREMENTS FOR RADIATION CONTAINMENT.
- PROVIDE A LOCKABLE EQUIPMENT HOLDING AREA CLOSE TO THE INSTALLATION FOR STORING TOOLS AND TEST EQUIPMENT.
- MAKE ARRANGEMENTS FOR ANY RIGGING, SPECIAL HANDLING, OR FACILITY MODIFICATIONS THAT MUST BE MADE IN ORDER FOR THE EQUIPMENT TO BE DELIVERED TO THE INSTALLATION SITE. IF DESIRED, YOUR LOCAL RADSOURCE TEAM REPRESENTATIVE CAN SUPPLY A REFERENCE LIST OF RIGGERS.
- MAKE SURE A DUST FREE, TEMPERATURE AND HUMIDITY CONTROLLED ENVIRONMENT IS AVAILABLE FOR STORING THE EQUIPMENT IF YOUR SITE IS NOT READY FOR INSTALLATION AT THE TIME OF DELIVERY. ONCE THE SITE IS PREPARED, YOU ARE THEN RESPONSIBLE FOR DELIVERING THE EQUIPMENT TO THE SITE.



INSTALL LOCATION MAP

CUSTOMER

ALL REQUIREMENTS FOR THIS EQUIPMENT ARE NOT NOTED ON THIS SHEET. IT IS SUGGESTED THAT THESE DRAWINGS BE REVIEWED BY QUALIFIED PROFESSIONALS WHO CAN ASSIST WITH MAKING DECISIONS REGARDING RADIATION CONTAINMENT, MAGNETIC FIELD CONTAINMENT, ELECTRICAL, STRUCTURAL AND MECHANICAL REQUIREMENTS. ALTHOUGH THE EQUIPMENT MAY BE INSTALLED IN AN EXISTING ROOM OF SIMILAR FUNCTION, REQUIREMENTS STILL NEED TO BE CHECKED.

SITE VISIT

NORMAL PROCEDURE IS TO ATTEND AN INITIAL CONSTRUCTION MEETING AND THEN PERFORM AN INSPECTION OF THE ELECTRICAL BUILD OUT AT OR ABOUT THE SAME TIME AS THE ELECTRICAL ROUGH IN (PRIOR TO SHEETROCK OR LEAD BEING INSTALLED), ADDITIONAL VISITS MAY BE REQUIRED

RECEIPT OF DRAWING FINAL/REVIEW

THIS SIGNATURE PRINTED OR OTHERWISE REPRESENTS RECEIPT OF THIS SET OF PLANS. IT IS UNDERSTOOD THAT ANY DEVIATION FROM THESE DRAWINGS, DETAILS AND SPECIFICATIONS MAY ENCROACH UPON THE EQUIPMENT OPERATION, SERVICEABILITY, OR SAFETY GUIDELINES. ALSO I AM AWARE THAT ANY CHANGES MADE AFTER 16 June 2017 COULD RESULT IN ADDITIONAL EXPENSES BEING INCURRED IF RADSOURCE IS NOT NOTIFIED IN WRITING I.E. E-MAIL ETC... NEW SHEETS WILL BE ISSUED AS ADDITIONS AND REVISIONS WILL HAVE CURRENT DATES ADDED.

NAME: KERRY NILSON DATE: _____

PRINTED: _____

COMPANY: _____

NAME: TROY MERGEN DATE: _____

PRINTED: _____

COMPANY: _____

NAME: ERIN HEWER DATE: _____

PRINTED: _____

COMPANY: _____

NAME: _____ DATE: _____

PRINTED: _____

COMPANY: _____

NAME: _____ DATE: _____

PRINTED: _____

COMPANY: _____

SAMSUNG | NeuroLogica

GENE NOWACZYK
MEP
SITE PLANNING &
PROJECT DEVELOPMENT

OFFICE: 816-741-5558
CELL: 816-223-6378
FAX: 816-587-2423
EMAIL: GNOWACZYK@RADSOURCE.NET
8121 N.W. 97TH TERR
KANSAS CITY, MISSOURI 64153

PROJECT

SAMSUNG GC85

SIoux FALLS VA MEDICAL
CENTER

2501 WEST 22ND ST, SIOUX FALLS, SD, 57105

ARCHITECT:

N/A
p.N/A
N/A

ELECTRICAL CONTRACTOR:

XXX
p.XXX-XXX-XXXX
m.XXX-XXX-XXXX
.NET/.COM

GENERAL CONTRACTOR:

N/A
p.XXX-XXX-XXXX
m.XXX-XXX-XXXX
N/A

PROJECT MANAGER FOR CUSTOMER:

KERRY NILSON
p.XXX
KERRY.NILSON@VA.GOV

IT MANAGER

TROY MERGEN
p. XXX
TROY.MERGEN@VA.GOV

RADIOLOGY MANAGER

ERIN HEWER
p.XXX
ERIN.HEWER@VA.GOV

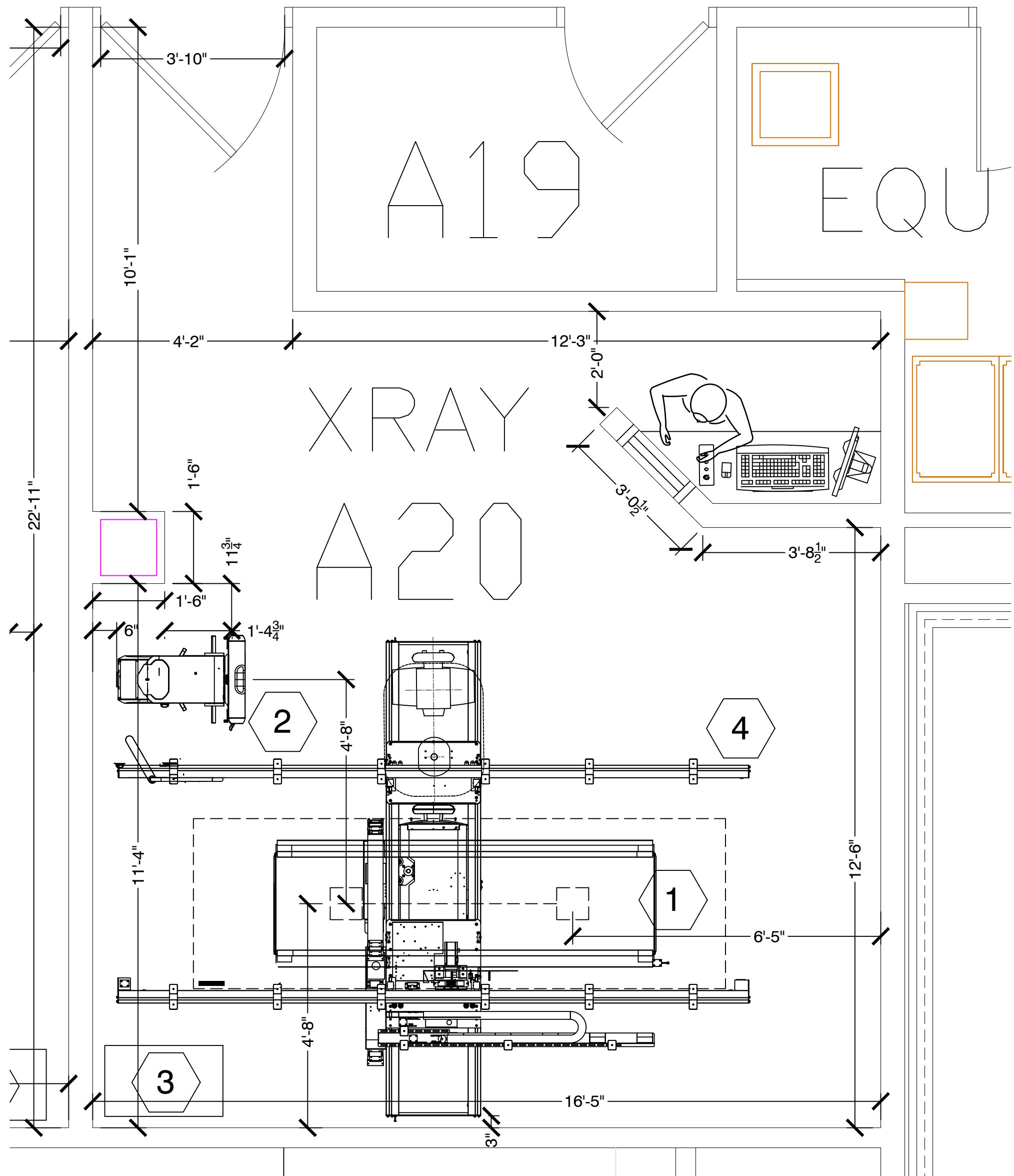
REVISION:	DATE:

DRAWN BY:	GENE N.
CHK'D BY:	A.W.
CUSTOMER:	
SCALE:	NOTED
DATE:	6/16/2017 10:43:52 AM

FILE NAME:
Sioux Falls F1 06-16-2017.dwg

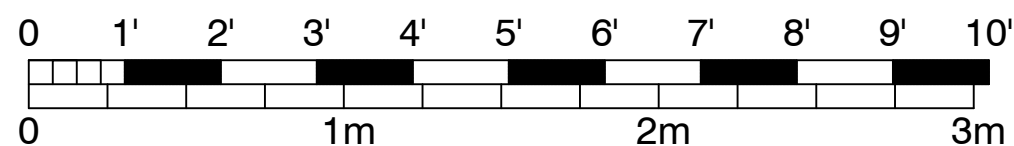
DRAWING SHEET #

COVER



ROOM LAYOUT - RADIOLOGY A20

SCALE: 1/2" = 1'-0"
 MINIMUM CEILING HEIGHT: MIN 9'-4" / MAX 9'-6.0"



NOTE:
 THIS SAMSUNG GC85 ROOM CONFIGURATION UTILIZES A STANDARD THREE (3) METER TRANSVERSE BRIDGE AND STANDARD FOUR (4) METER LONGITUDE RAILS OTHER VARIATIONS ARE AVAILABLE AT AN ADDITIONAL EXPENSE BUT NOT REQUIRED. CONTACT YOUR SALES PERSONAL FOR INFORMATION.

COUNTER TOP IN OPERATOR CONTROL AREA SHOULD BE AT 40.0"-42.0" A.F.F. FOR STANDING OPERATIONS

NOTE:
 ARCHITECT / CONTRACTOR IS TO VERIFY ALL DIMENSIONS ON THIS DRAWING AGAINST AS BUILT. DIMENSIONS ILLUSTRATED WITH IN HAVE BEEN USED FOR PROPER EQUIPMENT PLACEMENT AND MAY BE USED IN THE FUTURE FOR RADIATION SHIELDING PROTECTION BY THE CUSTOMERS SELECTED PHYSICIST.

EACH RESPECTIVE ROOM WILL HAVE AN ENLARGED VIEW ILLUSTRATING THE PLACEMENT OF THE RADIOLOGY EQUIPMENT FOR THE ASSOCIATED ROOM IDENTIFICATION AS SHOWN ON SHEETS LABELED WITH THE LETTER "AQ-?".

SUPPLEMENTAL NOTES:
 ALL ITEMS LISTED BELOW ARE TO BE PROVIDED / DESIGNED BY THE ARCHITECT N/A. THE ARCHITECT N/A SHALL CONSULT WITH SIOUX FALLS VA MEDICAL CENTER FOR ANY ADDITIONAL INFORMATION.

- ALL DIAGNOSTIC ROOMS INCLUDING X-RAY, MAMMO, R/F, CT, ETC., SHALL HAVE " LED" CAN LIGHTING AND/OR FLORESCENT LIGHT FIXTURES. THE LED FIXTURES ARE TO BE DISTRIBUTED AROUND THE ROOM AND SHOULD BE PROVIDED WITH DIMMER CONTROLS. THE DIMMER CONTROLS SHOULD BE LOCATED NEAR THE ENTRANCES AND IN THE CONTROL AREAS.
- IT IS RECOMMENDED THAT ALL DIAGNOSTIC ROOMS SHOULD HAVE TILE OR VINYL FLOORING.
- A TILE DROP CEILING IS RECOMMENDED FOR ANY DIAGNOSTIC ROOMS. MINIMUM CEILING HEIGHT MIN 9'-4" / MAX 9'-6.0"
- ALL CABINERY WORK IS TO BE DESIGNED BY THE ARCHITECT AND PROVIDED BY SIOUX FALLS VA MEDICAL CENTER AND OR N/A . RECOMMEND ALL COUNTERS SHALL HAVE ROUNDED CORNERS.
- PROVIDE FOR REFUSE REMOVAL AND DISPOSAL (E.G. CRATES, CARTONS, PACKING)
- PROVIDE A WORKING RESTROOM WITH SUPPLIES WITH IN THE FACILITY

NOTE:
 SPECIAL DELIVERY TO BUILDING NOT COVERED BY SAMSUNG , TO BE COORDINATED BETWEEN "SIOUX FALLS VA MEDICAL CENTER AND/OR N/A" AND SAMSUNG

ENVIRONMENT

AMBIENT OPERATION TEMPERATURE: 55-75° (F)
 ALLOWABLE TEMPERATURE CHANGE: 15° (F) PER HOUR
 HUMIDITY: 20-80 PERCENT NON CONDENSING
 ALLOWABLE HUMIDITY CHANGE: 10 PERCENT PER HOUR

EQUIPMENT LEGEND SAMSUNG XGEO-GC85

OWNER: SIOUX FALLS VA MEDICAL CENTER

ITEM	QUANTITY	DESCRIPTION	WEIGHT	HEAT OUTPUT	PROVIDED BY	INSTALLED BY
1	1	PATIENT TABLE	440LBS	2,046 BTU	OWNER	SAMSUNG
2	1	WALL / CHEST STAND	330 LBS	511 BTU	OWNER	SAMSUNG
3	1	GENERATOR CABINET	220 LBS	11,798 BTU	OWNER	SAMSUNG
4	1	CEILING RAIL	140 LBS	3400 BTU	OWNER	SAMSUNG
5	1	CEILING MOUNTED TUBE HEAD	616 LBS	1,909 BTU	OWNER	SAMSUNG
6	1	WORK STATION	35 LBS	1,364 BTU	OWNER	SAMSUNG
7	1	STITCHING STAND	235 LBS	N/A BTU	OWNER	SAMSUNG

GENE NOWACZYK
 MEP
 SITE PLANNING &
 PROJECT DEVELOPMENT

OFFICE: 816-741-5558
 CELL: 816-223-6378
 FAX: 816-587-2423
 EMAIL: GNOWACZYK@RADSOURCE.NET
 8121 N.W. 97TH TERR
 KANSAS CITY, MISSOURI 64153

PROJECT

SAMSUNG GC85

SIOUX FALLS VA MEDICAL
 CENTER

2501 WEST 22ND ST, SIOUX FALLS, SD, 57105

ARCHITECT:

N/A
 p.N/A
 N/A

ELECTRICAL CONTRACTOR:

XXX
 p.XXX-XXX-XXXX
 m.XXX-XXX-XXXX
 .NET/.COM

GENERAL CONTRACTOR:

N/A
 p.XXX-XXX-XXXX
 m.XXX-XXX-XXXX
 N/A

PROJECT MANAGER FOR CUSTOMER:

KERRY NILSON
 p.XXX
 KERRY.NILSON@VA.GOV

IT

TROY MERGEN
 p. XXX
 TROY.MERGEN@VA.GOV

RADIOLOGY MANAGER

ERIN HEWER
 p.XXX
 ERIN.HEWER@VA.GOV

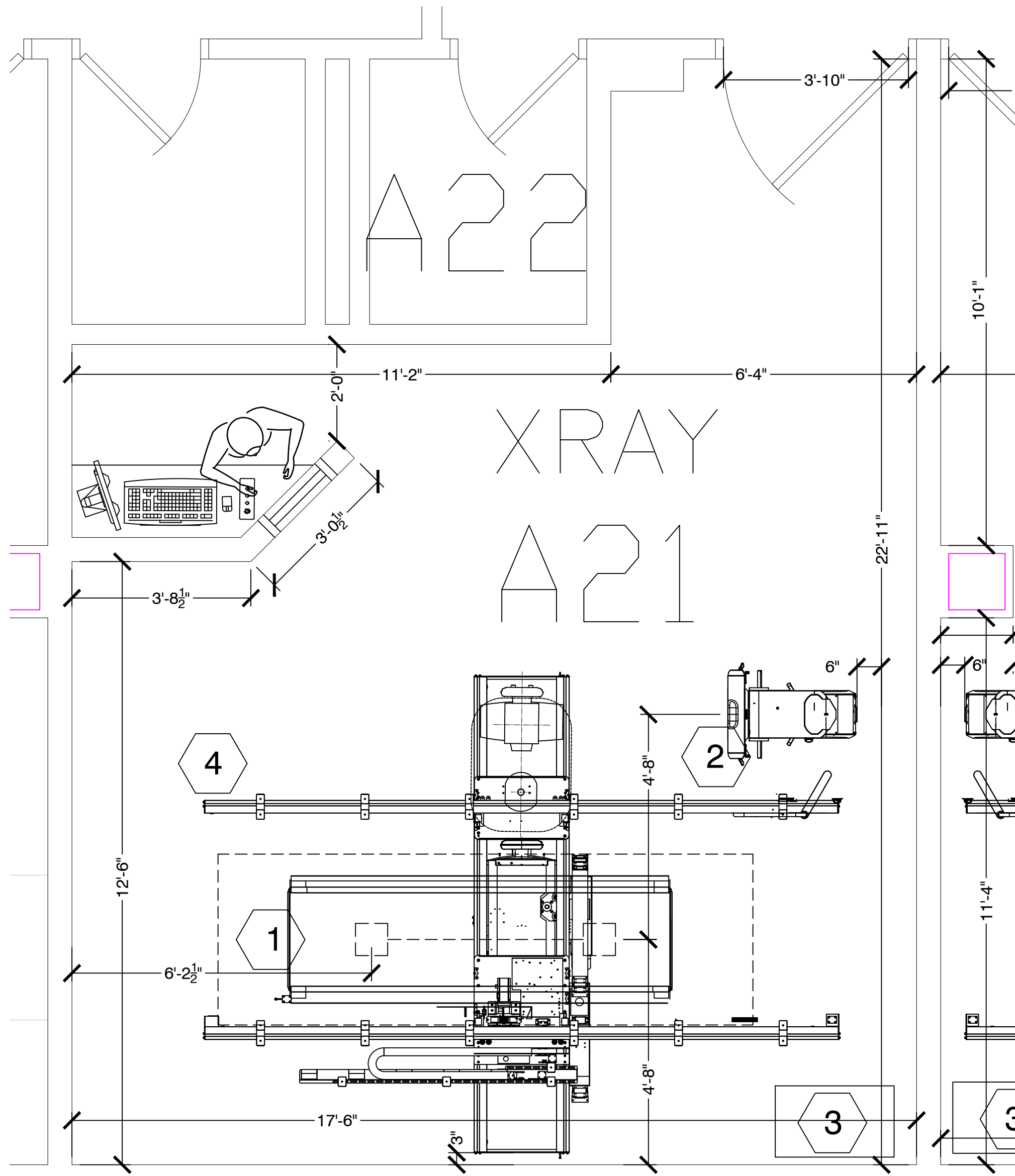
REVISION:	DATE:

DRAWN BY:	GENE N.
CHK'D BY:	A.W.
CUSTOMER :	
SCALE:	NOTED
DATE:	6/16/2017 10:43:52 AM

FILE NAME:
 Sioux Falls F1 06-16-2017.dwg

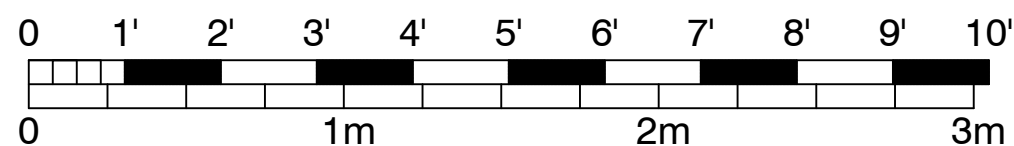
DRAWING SHEET #

A1.2



ROOM LAYOUT - RADIOLOGY A21

SCALE: 1/2" = 1'-0"
 MINIMUM CEILING HEIGHT: MIN 9'-4" / MAX 9'-6.0"



NOTE:
 THIS SAMSUNG GC85 ROOM CONFIGURATION UTILIZES A STANDARD THREE (3) METER TRANSVERSE BRIDGE AND STANDARD FOUR (4) METER LONGITUDE RAILS OTHER VARIATIONS ARE AVAILABLE AT AN ADDITIONAL EXPENSE BUT NOT REQUIRED. CONTACT YOUR SALES PERSONAL FOR INFORMATION.

COUNTER TOP IN OPERATOR CONTROL AREA SHOULD BE AT 40.0"-42.0" A.F.F. FOR STANDING OPERATIONS

NOTE:
 ARCHITECT / CONTRACTOR IS TO VERIFY ALL DIMENSIONS ON THIS DRAWING AGAINST AS BUILT. DIMENSIONS ILLUSTRATED WITH IN HAVE BEEN USED FOR PROPER EQUIPMENT PLACEMENT AND MAY BE USED IN THE FUTURE FOR RADIATION SHIELDING PROTECTION BY THE CUSTOMERS SELECTED PHYSICIST.

EACH RESPECTIVE ROOM WILL HAVE AN ENLARGED VIEW ILLUSTRATING THE PLACEMENT OF THE RADIOLOGY EQUIPMENT FOR THE ASSOCIATED ROOM IDENTIFICATION AS SHOWN ON SHEETS LABELED WITH THE LETTER "AQ-?".

SUPPLEMENTAL NOTES:
 ALL ITEMS LISTED BELOW ARE TO BE PROVIDED / DESIGNED BY THE ARCHITECT N/A. THE ARCHITECT N/A SHALL CONSULT WITH SIOUX FALLS VA MEDICAL CENTER FOR ANY ADDITIONAL INFORMATION.

- ALL DIAGNOSTIC ROOMS INCLUDING X-RAY, MAMMO, R/F, CT, ETC., SHALL HAVE " LED" CAN LIGHTING AND/OR FLORESCENT LIGHT FIXTURES. THE LED FIXTURES ARE TO BE DISTRIBUTED AROUND THE ROOM AND SHOULD BE PROVIDED WITH DIMMER CONTROLS. THE DIMMER CONTROLS SHOULD BE LOCATED NEAR THE ENTRANCES AND IN THE CONTROL AREAS.
- IT IS RECOMMENDED THAT ALL DIAGNOSTIC ROOMS SHOULD HAVE TILE OR VINYL FLOORING.
- A TILE DROP CEILING IS RECOMMENDED FOR ANY DIAGNOSTIC ROOMS. MINIMUM CEILING HEIGHT MIN 9'-4" / MAX 9'-6.0"
- ALL CABINERY WORK IS TO BE DESIGNED BY THE ARCHITECT AND PROVIDED BY SIOUX FALLS VA MEDICAL CENTER AND OR N/A . RECOMMEND ALL COUNTERS SHALL HAVE ROUNDED CORNERS.
- PROVIDE FOR REFUSE REMOVAL AND DISPOSAL (E.G. CRATES, CARTONS, PACKING)
- PROVIDE A WORKING RESTROOM WITH SUPPLIES WITH IN THE FACILITY

NOTE:
 SPECIAL DELIVERY TO BUILDING NOT COVERED BY SAMSUNG , TO BE COORDINATED BETWEEN "SIOUX FALLS VA MEDICAL CENTER AND/OR N/A" AND SAMSUNG

ENVIRONMENT

AMBIENT OPERATION TEMPERATURE: 55-75° (F)
 ALLOWABLE TEMPERATURE CHANGE: 15° (F) PER HOUR
 HUMIDITY: 20-80 PERCENT NON CONDENSING
 ALLOWABLE HUMIDITY CHANGE: 10 PERCENT PER HOUR

EQUIPMENT LEGEND SAMSUNG XGEO-GC85

OWNER: SIOUX FALLS VA MEDICAL CENTER

ITEM	QUANTITY	DESCRIPTION	WEIGHT	HEAT OUTPUT	PROVIDED BY	INSTALLED BY
1	1	PATIENT TABLE	440LBS	2,046 BTU	OWNER	SAMSUNG
2	1	WALL / CHEST STAND	330 LBS	511 BTU	OWNER	SAMSUNG
3	1	GENERATOR CABINET	220 LBS	11,798 BTU	OWNER	SAMSUNG
4	1	CEILING RAIL	140 LBS	3400 BTU	OWNER	SAMSUNG
5	1	CEILING MOUNTED TUBE HEAD	616 LBS	1,909 BTU	OWNER	SAMSUNG
6	1	WORK STATION	35 LBS	1,364 BTU	OWNER	SAMSUNG
7	1	STITCHING STAND	235 LBS	N/A BTU	OWNER	SAMSUNG

GENE NOWACZYK
 MEP
 SITE PLANNING &
 PROJECT DEVELOPMENT

OFFICE: 816-741-5558
 CELL: 816-223-6378
 FAX: 816-587-2423
 EMAIL: GNOWACZYK@RADSOURCE.NET
 8121 N.W. 97TH TERR
 KANSAS CITY, MISSOURI 64153

PROJECT

SAMSUNG GC85

SIOUX FALLS VA MEDICAL
 CENTER

2501 WEST 22ND ST, SIOUX FALLS, SD, 57105

ARCHITECT:

N/A
 p.N/A
 N/A

ELECTRICAL CONTRACTOR:

XXX
 p.XXX-XXX-XXXX
 m.XXX-XXX-XXXX
 .NET/.COM

GENERAL CONTRACTOR:

N/A
 p.XXX-XXX-XXXX
 m.XXX-XXX-XXXX
 N/A

PROJECT MANAGER FOR CUSTOMER:

KERRY NILSON
 p.XXX
 KERRY.NILSON@VA.GOV

IT

TROY MERGEN
 p.XXX
 TROY.MERGEN@VA.GOV

RADIOLOGY MANAGER

ERIN HEWER
 p.XXX
 ERIN.HEWER@VA.GOV

REVISION:	DATE:

DRAWN BY:	GENE N.
CHK'D BY:	A.W.
CUSTOMER :	
SCALE:	NOTED
DATE:	6/16/2017 10:43:52 AM

FILE NAME:
 Sioux Falls F1 06-16-2017.dwg

DRAWING SHEET #

A1.2

MINIMUM SITE PREPARATION REQUIREMENTS

WALLS TO BE PAINTED OR COVERED, BASEBOARDS INSTALLED, FLOORS TO BE TITLED AND OR COVERED, CEILING SHALL HAVE GRID TILES AND LIGHTING FIXTURES INSTALLED.

DOORS AND WINDOWS, ESPECIALLY RADIATION PROTECTION BARRIERS, INSTALLED AND FINISHED WITH LOCK SETS OPERATIONAL.

ALL ELECTRICAL CONVENIENCE, CONDUIT, RACEWAY AND JUNCTION BOXES INSTALLED.

INCOMING MAINS POWER OPERATIONAL AND CONNECTED TO X-RAY ROOM BREAKER.

115 VOLTS CONVENIENCE OUTLETS OPERATIONAL.

ALL SUPPORT STRUCTURES CORRECTLY INSTALLED.

ALL CHANNELS, PIPES, BEAM'S AND OR OTHER SUPPORTING DEVICES SHOULD BE LEVEL, PARALLEL AND FREE OF LATERAL OR LONGITUDINAL MOVEMENTS.

ALL CONTRACTOR SUPPLIED CABLES PULLED AND TERMINATED.

A DUST FREE ENVIRONMENT IN AND AROUND THE PROCEDURE ROOM.

ALL HEATING AND VENTILATION / AIR-CONDITIONING INSTALLED AND OPERATIONAL.

A CLEAR DOOR OPENING FOR MOVING EQUIPMENT INTO THE BUILDING MUST BE 42 IN. X 82 IN. OR LARGER CONTINGENT ON AN 8' CORRIDOR WIDTH.

NOTICE:

THIS DRAWING SET IS THE SOLE PROPERTY OF NOWACZYK / PEMBER & ASSOCIATES MEP / ARCHITECTURAL ENGINEERS

ITS USE IS AUTHORIZED ONLY FOR THE CUSTOMER SIOUX FALLS VA MEDICAL CENTER/CONTRACTOR N/A TO DESIGN AND INCORPORATE OUR CONCEPT INTO CONSTRUCTION AND PREPARATION FOR IMAGING EQUIPMENT INSTALLATION. THESE DRAWINGS SHALL NOT BE USED FOR ANY PURPOSE OTHER THAN THE AGREED UPON DESIGN BETWEEN NEUROLOGICA AND THEIR CUSTOMER.

THE CUSTOMER SIOUX FALLS VA MEDICAL CENTER IS RESPONSIBLE FOR ALL ROOM PREPARATION COSTS, FEES, PERMITS AND INSPECTIONS UNLESS OTHERWISE SPECIFIED IN THE GENERAL ORDER FOR THE EQUIPMENT PURCHASE.

RADIATION SHIELDING IS NOT SHOWN ON THESE PLANS. HOWEVER, THE CUSTOMER SIOUX FALLS VA MEDICAL CENTER SHALL, AT THEIR OWN EXPENSE, HAVE SHIELDING CALCULATIONS FOR THE ROOM PREPARED BY A LICENSED RADIATION PHYSICIST.

PREFACE

THESE DRAWINGS HAVE BEEN PREPARED BY NEUROLOGICA , THEIR PURPOSE IS TO PROVIDE THE SITING, ELECTRICAL, MECHANICAL AND ENVIRONMENTAL SPECIFICATIONS REQUIRED TO ACCOMMODATE THE INSTALLATION AND OPERATION OF THE DIAGNOSTIC IMAGING EQUIPMENT AND SUB-COMPONENTS ILLUSTRATED.

THE LAYOUT(S) PROVIDED FOR ALL COMPONENTS PURCHASED FROM AND/OR PROVIDED BY THE EQUIPMENT MANUFACTURER SHALL SERVE AS A GUIDE FOR INSTALLATION BY THE LOCAL SERVICE/INSTALLATION REPRESENTATIVES.

INFORMATION IN THESE DRAWINGS RELATING TO BUILDING/FACILITY SPECIFICATIONS THAT WILL SUPPORT IMAGING EQUIPMENT COMPONENTS SUCH AS ELECTRICAL, STRUCTURAL, MECHANICAL AND ENVIRONMENTAL REQUIREMENTS SHALL BE UTILIZED AS A GUIDE BY THE CUSTOMER'S ARCHITECT N/A AND/OR CONTRACTOR N/A. FACILITY CONDITIONS MAY DICTATE ACTUAL CONSTRUCTION METHODS AND MATERIALS APPLIED. HOWEVER, ALL METHODS AND MATERIALS MUST COMPLY WITH EQUIPMENT MANUFACTURER SPECIFICATIONS, AS WELL AS LOCAL AND/OR NATIONAL BUILDING CODES.

THE REQUIRED CEILING HEIGHT OF MIN 9'-4" / MAX 9'-6.0" INDICATED ON THESE PLANS IS TO INSURE EQUIPMENT FUNCTION IS NOT INHIBITED. CONSULT WITH YOUR EQUIPMENT INSTALLATION SPECIALIST REGARDING ACCEPTABILITY OF THE OTHER CEILING HEIGHTS. CHECK ALL DOOR OPENINGS FROM DELIVERY LOCATION TO WHERE EQUIPMENT IS TO BE INSTALLED.

THE QUALITY OF CONSTRUCTION METHODS, MATERIALS AND CONFORMANCE TO EQUIPMENT MANUFACTURER SPECIFICATIONS AND TOLERANCES, WILL AFFECT EQUIPMENT PERFORMANCE.

MAGNETIC INTERFERENCE SPECIFICATIONS

DIGITAL FLAT PANEL MUST BE LOCATED IN AMBIENT STATIC MAGNETIC FIELDS OF LESS THAN ONE GAUSS TO GUARANTEE SPECIFIED IMAGING PERFORMANCE.

X-RAY TUBES AND EQUIPMENT MUST BE LOCATED IN AMBIENT STATIC MAGNETIC FIELDS OF LESS THAN TEN GAUSS TO GUARANTEE SPECIFIED PERFORMANCE DATA INTEGRITY

SYSTEM ELECTRONICS / EQUIPMENT MUST BE LOCATED IN AMBIENT STATIC MAGNETIC FIELDS OF LESS THAN TEN GAUSS TO GUARANTEE DATA INTEGRITY

CONSOLE EQUIPMENT MUST BE LOCATED IN AMBIENT STATIC MAGNETIC FIELDS OF LESS THAN ONE GAUSS TO OBTAIN SPECIFIED GEOMETRIC LINEARITY.

SITE ENVIRONMENT SPECIFICATIONS

AMBIENT OPERATING TEMPERATURE: 55° TO 75° F (16° TO 24° C) MAXIMUM

ALLOWABLE TEMPERATURE CHANGE OF 15° F, (5° C) / HOUR MAXIMUM ROOM

TEMPERATURE GRADIENT 5° F, (3° C)

HUMIDITY: 20 TO 80 PERCENT NON-CONDENSING, MAXIMUM ALLOWABLE CHANGE OF 5 PERCENT / HOUR

ALTITUDE: NOT TO EXCEED 10,000 FT (3050M) ABOVE SEA LEVEL

THE ENVIRONMENT FOR THE ELECTRONICS CABINET MUST BE CONTROLLED SO THE ABOVE RESTRICTIONS ARE NOT EXCEEDED.

DO NOT RESTRICT THE AIR INTAKE OR AIR EXHAUST OF THE SYSTEM COMPONENTS.

ENVIRONMENTAL CONDITIONS LISTED ABOVE MUST BE MAINTAINED AT ALL TIMES, INCLUDING OVERNIGHT AND HOLIDAYS.

SAMSUNG | NeuroLogica

GENE NOWACZYK
MEP
SITE PLANNING &
PROJECT DEVELOPMENT

OFFICE: 816-741-5558
CELL: 816-223-6378
FAX: 816-587-2423
EMAIL: GNOWACZYK@RADSOURCE.NET
8121 N.W. 97TH TERR
KANSAS CITY, MISSOURI 64153

PROJECT

SAMSUNG GC85

SIOUX FALLS VA MEDICAL CENTER

2501 WEST 22ND ST, SIOUX FALLS, SD, 57105

ARCHITECT:
N/A
p.N/A
N/A

ELECTRICAL CONTRACTOR:
XXX
p.XXX-XXX-XXXX
m.XXX-XXX-XXXX
.NET/.COM

GENERAL CONTRACTOR:
N/A
p.XXX-XXX-XXXX
m.XXX-XXX-XXXX
N/A

PROJECT MANAGER FOR CUSTOMER:
KERRY NILSON
p.XXX
KERRY.NILSON@VA.GOV

IT
TROY MERGEN
p. XXX
TROY.MERGEN@VA.GOV

RADIOLOGY MANAGER
ERIN HEWER
p.XXX
ERIN.HEWER@VA.GOV

REVISION:	DATE:

DRAWN BY: GENE N.

CHK'D BY: A.W.

CUSTOMER :

SCALE: NOTED

DATE: 6/16/2017 10:43:52 AM

FILE NAME:
Sioux Falls F1 06-16-2017.dwg

DRAWING SHEET #

AN

ELECTRICAL LEGEND

CBE1 MAIN DISCONNECT CONTRACTOR SUPPLIED, PART # (NEA-43080-4W-ST24DC-SPD-WLC-FC) SEE SHEET (E1.3) CAN BE OBTAINED FROM RADSOURCE IMAGING, CONTACT GENE NOWACZYK AT 816-223-6378
 480VAC @ 80 AMP FRAME, UL LISTED WITH MAGNETIC CONTACTOR, SEMI FLUSH MOUNTED IN X-RAY EXAM ROOM.
 FEED THREE (3) CONDUCTORS #__AWG, ONE (1) NEUTRAL#__AWG AND ONE (1) #1__ GROUND TO "XG" FROM BREAKER PER N.E.C.
 INSTALL A 5.0' TAIL IN METAL FLEX ON SPLIT COVER LEAVING 2.0' OF EXPOSED CONDUCTOR OUTSIDE THE FLEX, ELECTRICAL CONTRACTOR TO SUPPLY AND INSTALL MAIN DISCONNECT LISTED ALONG WITH FLEX AND CONNECTORS AS REQUIRED, TERMINATE FLEX WITH A 90DEG BOTH ENDS.
 SEE SHEET E-3 FOR DETAILS

UB 1 @ 6 x 6 x 4 JUNCTION BOX PART # (JB060604) MOUNT BOTTOM OF BOX TO FINISHED FLOOR OR AT MIN DIRECTLY ABOVE COVE BASE
 1 @ COVER
 1 @ 2-1/2 CHASE NIPPLE WITH BUSHING AND LOCKNUT, INSTALLED BY CONTRACTOR (CENTER IN COVER)

OC 1 @ 6 x 6 x 4 JUNCTION BOX, PART # (JB060604) MOUNT CENTER OF BOX TO 18.0" A.F.F.
 1 @ COVER
 1 @ 2-1/2 CHASE NIPPLE WITH BUSHING AND LOCKNUT, INSTALLED BY CONTRACTOR (CENTER IN COVER)

XG 1 @ 14.5 x 12 x 4 RECESSED MOUNTED JUNCTION BOX WITH SPLIT COVER AND DIVIDER, PART # (JB14.51204-SC-SP-DV) CONNECT TO "CBE1" PER N.E.C. MOUNT CENTER 18.0" A.F.F. SEE SHEET (E1.3)

INSTALL A 5.0' TAIL IN METAL FLEX ON SMALL SIDE OF SPLIT COVER LEAVING 2.0' OF EXPOSED CONDUCTOR OUTSIDE THE FLEX, ELECTRICAL CONTRACTOR TO SUPPLY AND INSTALL JUNCTION BOX, FLEX AND CONNECTORS AS REQUIRED, TERMINATE FLEX WITH A 90DEG BOTH ENDS.

XT 1 @ 10 x 3 x 4 RECESSED MOUNTED WALL DUCT WITH COVERS, MOUNT MOUNT ON TOP OF "XG" WITH SUPPLIED CONNECTORS IN KIT. SEE SHEET (E1.3)

ST1 SINGLE GANG 2-1/2" DEEP FLUSH MOUNTED JUNCTION BOX, SUPPLY AND INSTALL MUSHROOM HEAD "EMERGENCY STOP BUTTON" 60.0" A.F.F.. WIRE TO "CBE1" MAIN DISCONNECT MAGNETIC CONTACTOR PER N.E.C. SUPPLIED AND INSTALLED BY ELECTRICAL CONTRACTOR

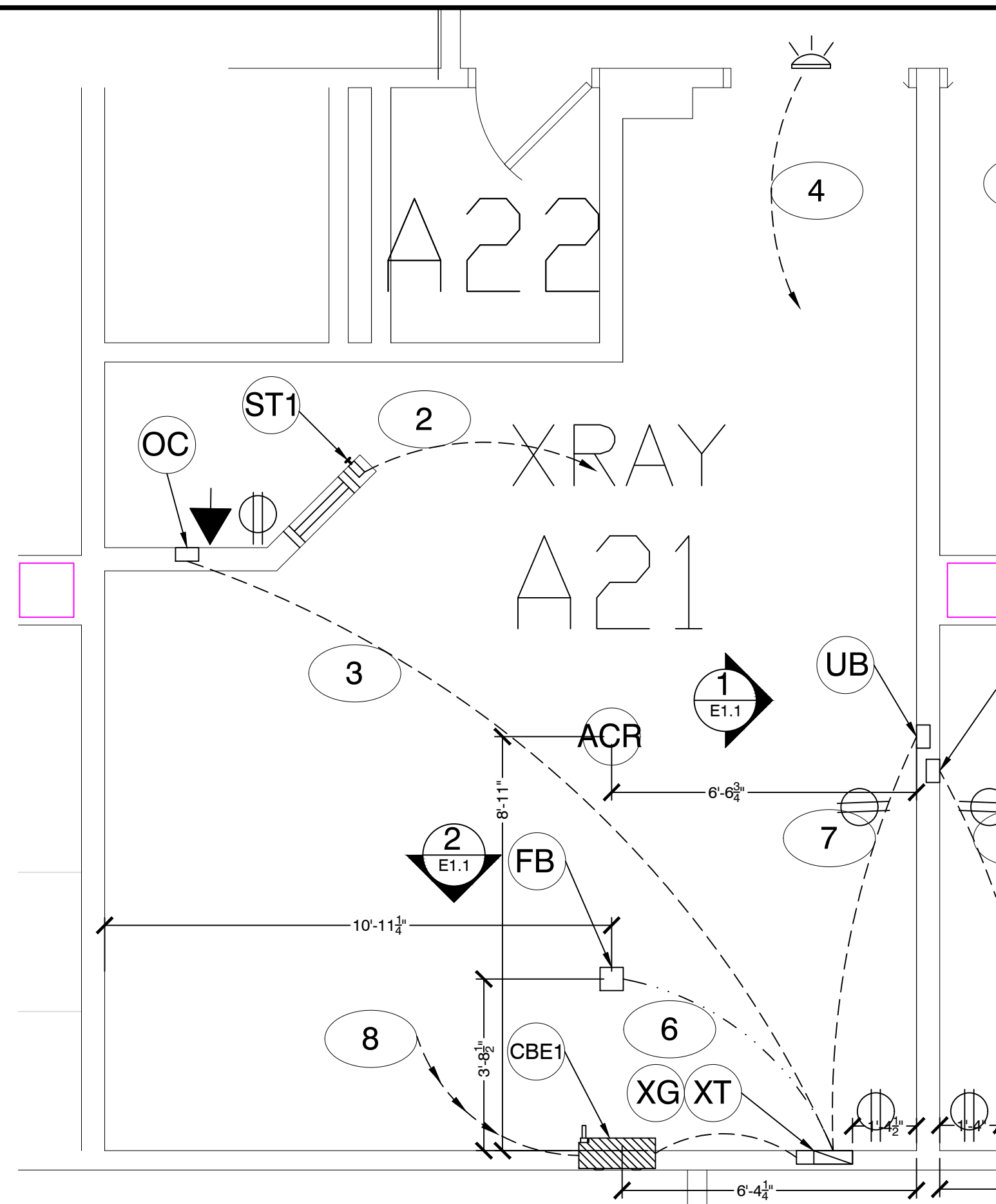
WL WARNING LIGHT (X-RAY ON), LED LIGHT FIXTURE SUPPLIED AND INSTALLED BY CONTRACTOR

ACR 1 @ 120 VAC RECEPTACLE MOUNTED ABOVE FINISHED CEILING, PLACE TAG IN CEILING GRID DIRECTLY BELOW INDICATING ABOVE CEILING OUTLET.

FB 1 @ 6 x 6 x 4 JUNCTION BOX PART # (JB060604) MOUNT TOP OF BOX FLUSH TO FINISHED FLOOR
 1 @ COVER
 1 @ 2-1/2 CHASE NIPPLE WITH BUSHING AND LOCKNUT, INSTALLED BY CONTRACTOR (CENTER IN COVER)

SAMSUNG GC 85 ELECTRICAL INSTALLATION KIT CONTRACTOR SUPPLIED

NEA-43080-5W-ST24DC-SPD-WLC-FC	MAIN DISCONNECT , 3 PHASE, 480VAC, 80 AMP, 5 WIRE, 24VDC SHUNT TRIP, INTEGRAL 24VDC CONTROL VOLTAGE, TYPE 2 SP200 200KA SURGE PROTECTION, CONTROLS FOR X-RAY IN USE SIGNAGE, FLUSH COVER 15.4" w x 32.4" h
NEA-ESTOP22	EMERGENCY STOP PUSH BUTTON / 2NO-2NC CONTACTS
NEA-ESTOPCV	EMERGENCY STOP COVER PVC
NEAX-ON-24DC-E	X-RAY IN USE LED WARNING LIGHT, 24VDC, ETHERNET CONNECTIVITY
XIU-CABLE	50.0' ETHERNET CABLE FOR X-RAY IN USE LIGHT
W1035-KIT-GC	WIRE DUCT KIT FOR ALL SAMSUNG X-RAY INSTALLATIONS. INCLUDES 10.0" X 3.5" VERTICAL RISER WITH 2 DIVIDERS, TERMINAL BOX 14.0" X 12.0" X 3.5" AND RELATED ACCESSORIES, FLUSH MOUNTED
JB060604-FC	6.0" X 6.0" X 3.5" JUNCTION BOX WITH FLUSH COVER, PAINTED STEEL
JB060604-FB	6.0" x 6.0" x 3.5" WELDED JUNCTION BOX WITH FLUSH COVER, PAINTED STEEL



ELECTRICAL LAYOUT SAMSUNG GC85

SCALE: 3/8" = 1'-0"
 MINIMUM CEILING HEIGHT: MIN 9'-4" / MAX 9'-6.0"

REQUIRED CONDUIT RUNS FOR BASE SYSTEM BY CONTRACTOR

NO.	FROM	TO	TYPE	DESCRIPTION
1	CBE1	TO	XG	CONDUIT ABOVE CEILING PER N.E.C., PULL 3 @ #3AWG; PULSE 1 @ #3 AWG GROUND. CONNECT WIRE TO BREAKER AND LEAVE 6' TAILS AT "XG". LABEL "FOR X-RAY POWER"
2	CBE1	TO	ST1	CONDUIT AS REQUIRED PER N.E.C. ABOVE CEILING, PULL 2 @ #__ CONNECT TO SHUNT TRIP EMERGENCY STOP DEVICE
3	XG	TO	OC	2.0" CONDUIT, ABOVE CEILING IS ILLUSTRATED HOWEVER BELOW GRAD IS ACCEPTABLE
4	CBE1	TO	WL	NO CONDUIT REQUIRED WITH KIT, WITH OUT KIT USE 3/4" CND
5	N/A	TO	N/A	1/2" CNDUIT ABOVE CEILING, PULL 18-2 AWG THERMOSTATE WIRE, LEAVE 3.0' AT CBE1 AND 12.0' AT XG, LABEL BOTH ENDS "FOR WARNING LIGHT"
6	XG	TO	FB	2.0" CONDUIT BELOW GRAD
7	XG	TO	UB	2.0" CONDUIT, ABOVE CEILING IS ILLUSTRATED HOWEVER BELOW GRAD IS ACCEPTABLE
8	INCOMING MAINS	TO	CBE1	CONDUIT AS REQUIRED

ELECTRICAL NOTES

ALL WIRES SPECIFIED SHALL BE COPPER STRANDED, FLEXIBLE, THERMO-PLASTIC, COLOR CODED, CUT 10 FOOT LONG AT OUTLET BOXES, DUCT TERMINATION POINTS OR STUBBED CONDUIT ENDS. ALL CONDUCTORS, POWER, SIGNAL AND GROUND, MUST BE RUN IN A CONDUIT OR DUCT SYSTEM. ELECTRICAL CONTRACTOR SHALL RING OUT AND TAG ALL WIRES AT BOTH ENDS. WIRE RUNS MUST BE CONTINUOUS COPPER STRANDED AND FREE FROM SPLICES. MIN 2 PULL STRINGS PER CONDUIT RUN.

WIRE SIZES GIVEN ARE FOR USE OF EQUIPMENT. LARGER SIZES MAY BE REQUIRED BY LOCAL CODES.

IT IS RECOMMENDED THAT ALL WIRES BE COLOR CODED, AS REQUIRED IN ACCORDANCE WITH NATIONAL AND LOCAL ELECTRICAL CODES.

LOCATE AT LEAST ONE CONVENIENCE OUTLET CLOSE TO THE SYSTEM CONTROL, THE POWER DISTRIBUTION UNIT AND ONE ON EACH WALL OF THE PROCEDURE ROOM. USE HOSPITAL APPROVED OUTLET OR EQUIVALENT.

GENERAL ROOM ILLUMINATION IS NOT ILLUSTRATED. CAUTION SHOULD BE TAKEN TO AVOID EXCESSIVE HEAT FROM OVERHEAD SPOTLIGHTS. DAMAGE CAN OCCUR TO CEILING MOUNTING COMPONENTS AND WIRING IF HIGH WATTAGE BULBS ARE USED. RECOMMEND LED BULBS, USE DIMMER CONTROLS (EXCEPT MR). DO NOT MOUNT LIGHTS DIRECTLY ABOVE AREAS WHERE CEILING MOUNTED ACCESSORIES WILL BE PARKED.

ROUTING OF CABLE DUCTWORK, CONDUITS, ETC., MUST RUN DIRECT AS POSSIBLE OTHERWISE MAY RESULT IN THE NEED FOR GREATER THAN STANDARD CABLE LENGTHS (REFER TO THE INTERCONNECTION DIAGRAM FOR MAXIMUM USABLE LENGTHS POINT TO POINT). SHEET QE1

CONDUIT TURNS TO HAVE LARGE, SWEEPING BENDS WITH MINIMUM RADIUS IN ACCORDANCE WITH NATIONAL AND LOCAL ELECTRICAL CODES.

PHYSICAL CONNECTION OF PRIMARY POWER TO SAMSUNG EQUIPMENT IS TO BE MADE BY CUSTOMERS ELECTRICAL CONTRACTOR XXX WITH THE SUPERVISION OF A RADSOURCE IMAGING REPRESENTATIVE. THE RADSOURCE IMAGING REPRESENTATIVE WOULD BE REQUIRED TO IDENTIFY THE PHYSICAL CONNECTION LOCATION, AND INSURE PROPER HANDLING OF SAMSUNG EQUIPMENT.

ALL ELECTRICAL CONVEINCE, NETWORKIING AND PHONE OUTLETS TO BE 18.0' A.F.F. UNLESS OTHER WISE NOTED

FEILD VERIFY EXACT LOCATIONS OF EXISTING ELECTRICAL PANELS, CONDUITS, JUNCTION BOXES ETC FOR NEW CONNECTIONS.

LENGTH OF FLEXIBLE CONDUIT SHALL NOT EXCEED 6FT

ALL CONDUITS & CONDUCTERS SHALL BE INSTALLED INSIDE WALLS OR ABOVE CEILING, NO EXPOSED CONDUIT OR CONDUCTORS WILL BE ALLOWED.

ALL WIRE RUNS WILL BE A MINIMUM OF FLEXIBLE METAL CONDUIT (FMC)

SYMBOLS LEGEND

- GFI GROUND FAULT INTERRUPT RECEPTACLE
- 110/115VAC 20 AMP
- PHONE / DATA
- PHONE
- DATA
- WALL MOUNTED PHONE 48"A.F.F.
- ABOVE CEILING CONDUIT
- - - BELOW GRAD CONDUIT
- 3 x 10 HORIZONTAL WALL DUCT
- 3 x 10 FLUSH TO FINISHED FLOOR DUCT

GENE NOWACZYK
 MEP
 SITE PLANNING &
 PROJECT DEVELOPMENT

OFFICE: 816-741-5558
 CELL: 816-223-6378
 FAX: 816-587-2423
 EMAIL: GNOWACZYK@RADSOURCE.NET
 8121 N.W. 97TH TERR
 KANSAS CITY, MISSOURI 64153

PROJECT

SAMSUNG GC85

SIoux FALLS VA MEDICAL CENTER

2501 WEST 22ND ST, SIoux FALLS, SD, 57105

ARCHITECT:
 N/A
 p.N/A
 N/A

ELECTRICAL CONTRACTOR:
 XXX
 p.XXX-XXX-XXXX
 m.XXX-XXX-XXXX
 .NET/.COM

GENERAL CONTRACTOR:
 N/A
 p.XXX-XXX-XXXX
 m.XXX-XXX-XXXX
 N/A

PROJECT MANAGER FOR CUSTOMER:
 KERRY NILSON
 p.XXX
 KERRY.NILSON@VA.GOV

IT
 TROY MERGEN
 p. XXX
 TROY.MERGEN@VA.GOV

INFECTIOUS DISEASE
 ERIN HEWER
 p.XXX
 ERIN.HEWER@VA.GOV

REVISION:	DATE:

DRAWN BY:	GENE N.
CHK'D BY:	A.W.
CUSTOMER :	
SCALE:	NOTED
DATE:	6/16/2017 10:43:52 AM

FILE NAME:
 Sioux Falls F1 06-16-2017.dwg

DRAWING SHEET #

E1

ELECTRICAL LEGEND

CBE1 MAIN DISCONNECT CONTRACTOR SUPPLIED, PART # (NEA-43080-4W-ST24DC-SPD-WLC-FC) SEE SHEET (E1.3) CAN BE OBTAINED FROM RADSOURCE IMAGING, CONTACT GENE NOWACZYK AT 816-223-6378
 480VAC @ 80 AMP FRAME, UL LISTED WITH MAGNETIC CONTACTOR, SEMI FLUSH MOUNTED IN X-RAY EXAM ROOM.
 FEED THREE (3) CONDUCTORS # ___ AWG, ONE (1) NEUTRAL# ___AWG AND ONE (1) #1___ GROUND TO "XG" FROM BREAKER PER N.E.C.
 INSTALL A 5.0' TAIL IN METAL FLEX ON SPLIT COVER LEAVING 2.0' OF EXPOSED CONDUCTOR OUTSIDE THE FLEX, ELECTRICAL CONTRACTOR TO SUPPLY AND INSTALL MAIN DISCONNECT LISTED ALONG WITH FLEX AND CONNECTORS AS REQUIRED, TERMINATE FLEX WITH A 90DEG BOTH ENDS.
 SEE SHEET E-3 FOR DETAILS

UB 1 @ 6 x 6 x 4 JUNCTION BOX PART # (JB060604) MOUNT BOTTOM OF BOX TO FINISHED FLOOR OR AT MIN DIRECTLY ABOVE COVE BASE
 1 @ COVER
 1 @ 2-1/2 CHASE NIPPLE WITH BUSHING AND LOCKNUT, INSTALLED BY CONTRACTOR (CENTER IN COVER)

OC 1 @ 6 x 6 x 4 JUNCTION BOX, PART # (JB060604) MOUNT CENTER OF BOX TO 18.0" A.F.F.
 1 @ COVER
 1 @ 2-1/2 CHASE NIPPLE WITH BUSHING AND LOCKNUT, INSTALLED BY CONTRACTOR (CENTER IN COVER)

XG 1 @ 14.5 x 12 x 4 RECESSED MOUNTED JUNCTION BOX WITH SPLIT COVER AND DIVIDER, PART # (JB14.51204-SC-SP-DV) CONNECT TO "CBE1" PER N.E.C. MOUNT CENTER 18.0" A.F.F. SEE SHEET (E1.3)

INSTALL A 5.0' TAIL IN METAL FLEX ON SMALL SIDE OF SPLIT COVER LEAVING 2.0' OF EXPOSED CONDUCTOR OUTSIDE THE FLEX, ELECTRICAL CONTRACTOR TO SUPPLY AND INSTALL JUNCTION BOX, FLEX AND CONNECTORS AS REQUIRED, TERMINATE FLEX WITH A 90DEG BOTH ENDS.

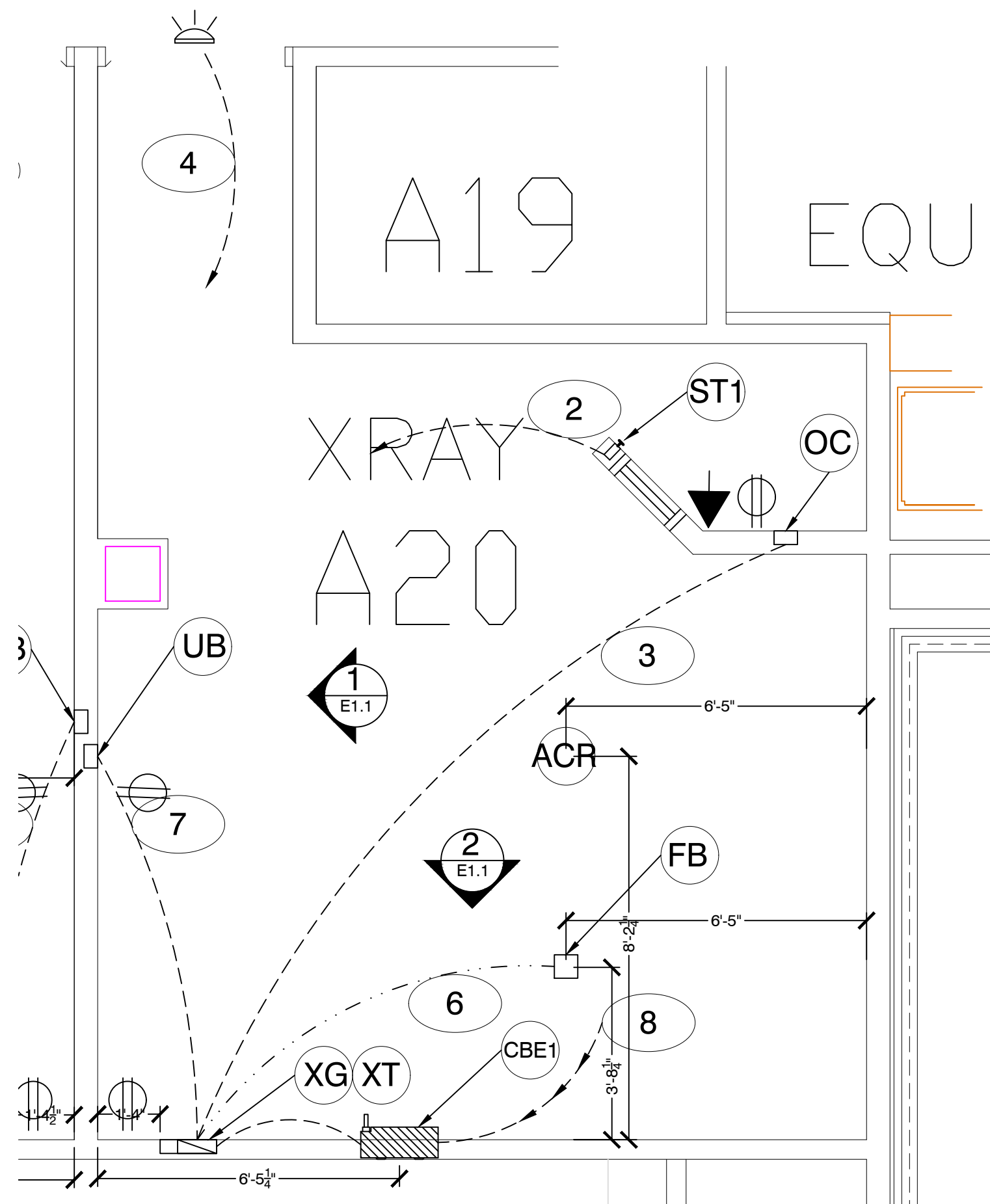
XT 1 @ 10 x 3 x 4 RECESSED MOUNTED WALL DUCT WITH COVERS, MOUNT MOUNT ON TOP OF "XG" WITH SUPPLIED CONNECTORS IN KIT. SEE SHEET (E1.3)

ST1 SINGLE GANG 2-1/2" DEEP FLUSH MOUNTED JUNCTION BOX, SUPPLY AND INSTALL MUSHROOM HEAD "EMERGENCY STOP BUTTON" 60.0" A.F.F.. WIRE TO "CBE1" MAIN DISCONNECT MAGNETIC CONTACTOR PER N.E.C. SUPPLIED AND INSTALLED BY ELECTRICAL CONTRACTOR

WL WARNING LIGHT (X-RAY ON), LED LIGHT FIXTURE SUPPLIED AND INSTALLED BY CONTRACTOR

ACR 1 @ 120 VAC RECEPTACLE MOUNTED ABOVE FINISHED CEILING, PLACE TAG IN CEILING GRID DIRECTLY BELOW INDICATING ABOVE CEILING OUTLET.

FB 1 @ 6 x 6 x 4 JUNCTION BOX PART # (JB060604) MOUNT TOP OF BOX FLUSH TO FINISHED FLOOR
 1 @ COVER
 1 @ 2-1/2 CHASE NIPPLE WITH BUSHING AND LOCKNUT, INSTALLED BY CONTRACTOR (CENTER IN COVER)



ELECTRICAL LAYOUT SAMSUNG GC85

SCALE: 3/8" = 1'-0"
 MINIMUM CEILING HEIGHT: MIN 9'-4" / MAX 9'-6.0"

REQUIRED CONDUIT RUNS FOR BASE SYSTEM BY CONTRACTOR

Callout	From	To	Notes
1	CBE1	TO XG	CONDUIT ABOVE CEILING PER N.E.C., PULL 3 @ #3AWG; PULSE 1 @ #3 AWG GROUND. CONNECT WIRE TO BREAKER AND LEAVE 6' TAILS AT "XG". LABEL "FOR X-RAY POWER"
2	CBE1	TO ST1	CONDUIT AS REQUIRED PER N.E.C. ABOVE CEILING, PULL 2 @ # ___ CONNECT TO SHUNT TRIP EMERGENCY STOP DEVICE
3	XG	TO OC	2.0" CONDUIT, ABOVE CEILING IS ILLUSTRATED HOWEVER BELOW GRAD IS ACCEPTABLE
4	CBE1	TO WL	NO CONDUIT REQUIRED WITH KIT, WITH OUT KIT USE 3/4" CND
5	N/A	TO N/A	1/2" CNDUIT ABOVE CEILING, PULL 18-2 AWG THERMOSTATE WIRE, LEAVE 3.0' AT CBE1 AND 12.0' AT XG, LABEL BOTH ENDS "FOR WARNING LIGHT"
6	XG	TO FB	2.0" CONDUIT BELOW GRAD
7	XG	TO UB	2.0" CONDUIT, ABOVE CEILING IS ILLUSTRATED HOWEVER BELOW GRAD IS ACCEPTABLE
8	INCOMING MAINS	TO CBE1	CONDUIT AS REQUIRED

ELECTRICAL NOTES

ALL WIRES SPECIFIED SHALL BE COPPER STRANDED, FLEXIBLE, THERMO-PLASTIC, COLOR CODED, CUT 10 FOOT LONG AT OUTLET BOXES, DUCT TERMINATION POINTS OR STUBBED CONDUIT ENDS. ALL CONDUCTORS, POWER, SIGNAL AND GROUND, MUST BE RUN IN A CONDUIT OR DUCT SYSTEM. ELECTRICAL CONTRACTOR SHALL RING OUT AND TAG ALL WIRES AT BOTH ENDS. WIRE RUNS MUST BE CONTINUOUS COPPER STRANDED AND FREE FROM SPLICES. MIN 2 PULL STRINGS PER CONDUIT RUN.

WIRE SIZES GIVEN ARE FOR USE OF EQUIPMENT. LARGER SIZES MAY BE REQUIRED BY LOCAL CODES.

IT IS RECOMMENDED THAT ALL WIRES BE COLOR CODED, AS REQUIRED IN ACCORDANCE WITH NATIONAL AND LOCAL ELECTRICAL CODES.

LOCATE AT LEAST ONE CONVENIENCE OUTLET CLOSE TO THE SYSTEM CONTROL, THE POWER DISTRIBUTION UNIT AND ONE ON EACH WALL OF THE PROCEDURE ROOM. USE HOSPITAL APPROVED OUTLET OR EQUIVALENT.

GENERAL ROOM ILLUMINATION IS NOT ILLUSTRATED. CAUTION SHOULD BE TAKEN TO AVOID EXCESSIVE HEAT FROM OVERHEAD SPOTLIGHTS. DAMAGE CAN OCCUR TO CEILING MOUNTING COMPONENTS AND WIRING IF HIGH WATTAGE BULBS ARE USED. RECOMMEND LED BULBS, USE DIMMER CONTROLS (EXCEPT MR). DO NOT MOUNT LIGHTS DIRECTLY ABOVE AREAS WHERE CEILING MOUNTED ACCESSORIES WILL BE PARKED.

ROUTING OF CABLE DUCTWORK, CONDUITS, ETC., MUST RUN DIRECT AS POSSIBLE OTHERWISE MAY RESULT IN THE NEED FOR GREATER THAN STANDARD CABLE LENGTHS (REFER TO THE INTERCONNECTION DIAGRAM FOR MAXIMUM USABLE LENGTHS POINT TO POINT). SHEET QE1

CONDUIT TURNS TO HAVE LARGE, SWEEPING BENDS WITH MINIMUM RADIUS IN ACCORDANCE WITH NATIONAL AND LOCAL ELECTRICAL CODES.

PHYSICAL CONNECTION OF PRIMARY POWER TO SAMSUNG EQUIPMENT IS TO BE MADE BY CUSTOMERS ELECTRICAL CONTRACTOR XXX WITH THE SUPERVISION OF A RADSOURCE IMAGING REPRESENTATIVE. THE RADSOURCE IMAGING REPRESENTATIVE WOULD BE REQUIRED TO IDENTIFY THE PHYSICAL CONNECTION LOCATION, AND INSURE PROPER HANDLING OF SAMSUNG EQUIPMENT.

ALL ELECTRICAL CONVEINCE, NETWORKIING AND PHONE OUTLETS TO BE 18.0' A.F.F. UNLESS OTHER WISE NOTED

FEILD VERIFY EXACT LOCATIONS OF EXISTING ELECTRICAL PANELS, CONDUITS, JUNCTION BOXES ETC FOR NEW CONNECTIONS.

LENGTH OF FLEXIBLE CONDUIT SHALL NOT EXCEED 6FT

ALL CONDUITS & CONDUCTERS SHALL BE INSTALLED INSIDE WALLS OR ABOVE CEILING, NO EXPOSED CONDUIT OR CONDUCTORS WILL BE ALLOWED.

ALL WIRE RUNS WILL BE A MINIMUM OF FLEXIBLE METAL CONDUIT (FMC)

SYMBOLS LEGEND

- GROUND FAULT INTERRUPT RECEPTACLE
- 110/115VAC 20 AMP
- PHONE / DATA
- PHONE
- DATA
- WALL MOUNTED PHONE 48"A.F.F.
- ABOVE CEILING CONDUIT
- BELOW GRAD CONDUIT
- 3 x 10 HORIZONTAL WALL DUCT
- 3 x 10 FLUSH TO FINISHED FLOOR DUCT

SAMSUNG GC 85 ELECTRICAL INSTALLATION KIT CONTRACTOR SUPPLIED

NEA-43080-5W-ST24DC-SPD-WLC-FC	MAIN DISCONNECT , 3 PHASE, 480VAC, 80 AMP, 5 WIRE, 24VDC SHUNT TRIP, INTEGRAL 24VDC CONTROL VOLTAGE, TYPE 2 SP200 200KA SURGE PROTECTION, CONTROLS FOR X-RAY IN USE SIGNAGE, FLUSH COVER 15.4"w x 32.4"h
NEA-ESTOP22	EMERGENCY STOP PUSH BUTTON / 2NO-2NC CONTACTS
NEA-ESTOPCV	EMERGENCY STOP COVER PVC
NEAX-ON-24DC-E	X-RAY IN USE LED WARNING LIGHT, 24VDC, ETHERNET CONNECTIVITY
XIU-CABLE	50.0' ETHERNET CABLE FOR X-RAY IN USE LIGHT
W1035-KIT-GC	WIRE DUCT KIT FOR ALL SAMSUNG X-RAY INSTALLATIONS. INCLUDES 10.0" X 3.5" VERTICAL RISER WITH 2 DIVIDERS, TERMINAL BOX 14.0" X 12.0" X 3.5" AND RELATED ACCESSORIES, FLUSH MOUNTED
JB060604-FC	6.0" X 6.0" X 3.5" JUNCTION BOX WITH FLUSH COVER, PAINTED STEEL
JB060604-FB	6.0" x 6.0" x 3.5" WELDED JUNCTION BOX WITH FLUSH COVER, PAINTED STEEL

GENE NOWACZYK
 MEP
 SITE PLANNING &
 PROJECT DEVELOPMENT

OFFICE: 816-741-5558
 CELL: 816-223-6378
 FAX: 816-587-2423
 EMAIL: GNOWACZYK@RADSOURCE.NET
 8121 N.W. 97TH TERR
 KANSAS CITY, MISSOURI 64153

PROJECT

SAMSUNG GC85

SIoux FALLS VA MEDICAL
 CENTER

2501 WEST 22ND ST, SIoux FALLS, SD, 57105

ARCHITECT:

N/A
 p.N/A
 N/A

ELECTRICAL CONTRACTOR:

XXX
 p.XXX-XXX-XXXX
 m.XXX-XXX-XXXX
 .NET/.COM

GENERAL CONTRACTOR:

N/A
 p.XXX-XXX-XXXX
 m.XXX-XXX-XXXX
 N/A

PROJECT MANAGER FOR CUSTOMER:

KERRY NILSON
 p.XXX
 KERRY.NILSON@VA.GOV

IT

TROY MERGEN
 p. XXX
 TROY.MERGEN@VA.GOV

INFECTIOUS DISEASE

ERIN HEWER
 p.XXX
 ERIN.HEWER@VA.GOV

REVISION:	DATE:

DRAWN BY:	GENE N.
CHK'D BY:	A.W.
CUSTOMER :	
SCALE:	NOTED
DATE:	6/16/2017 10:43:52 AM

FILE NAME:
 Sioux Falls F1 06-16-2017.dwg

DRAWING SHEET #

E2

GENE NOWACZYK
 MEP
 SITE PLANNING &
 PROJECT DEVELOPMENT
 OFFICE: 816-741-5558
 CELL: 816-223-6378
 FAX: 816-587-2423
 EMAIL: GNOWACZYK@RADSOURCE.NET
 8121 N.W. 97TH TERR
 KANSAS CITY, MISSOURI 64153

PROJECT
SAMSUNG GC85
 SIOUX FALLS VA MEDICAL
 CENTER
 2501 WEST 22ND ST, SIOUX FALLS, SD, 57105

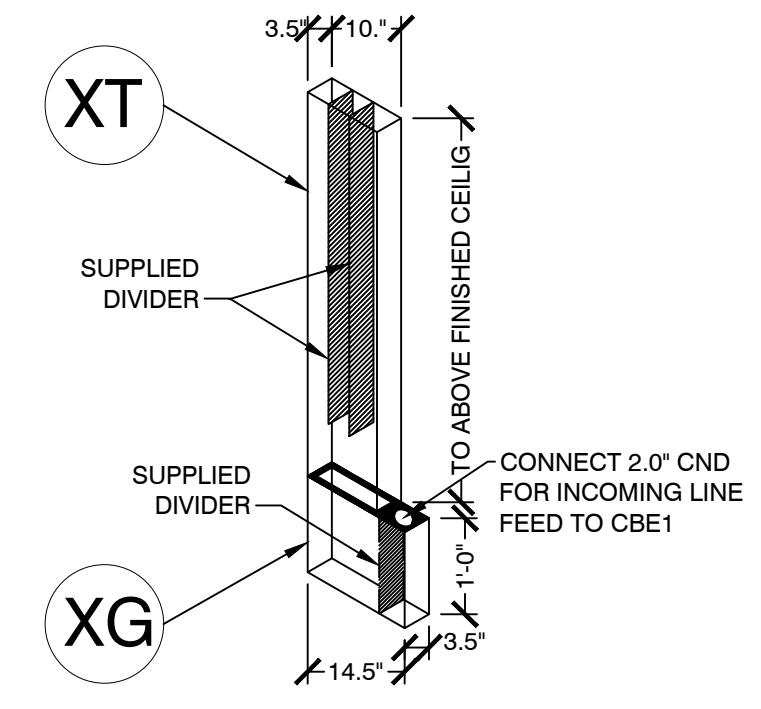
ARCHITECT:
 N/A
 p.N/A
 N/A
 ELECTRICAL CONTRACTOR:
 XXX
 p.XXX-XXX-XXXX
 m.XXX-XXX-XXXX
 .NET/.COM
 GENERAL CONTRACTOR:
 N/A
 p.XXX-XXX-XXXX
 m.XXX-XXX-XXXX
 N/A
 PROJECT MANAGER FOR CUSTOMER:
 KERRY NILSON
 p.XXX
 KERRY.NILSON@VA.GOV
 IT
 TROY MERGEN
 p. XXX
 TROY.MERGEN@VA.GOV
 INFECTIOUS DISEASE
 ERIN HEWER
 p.XXX
 ERIN.HEWER@VA.GOV

REVISION:	DATE:

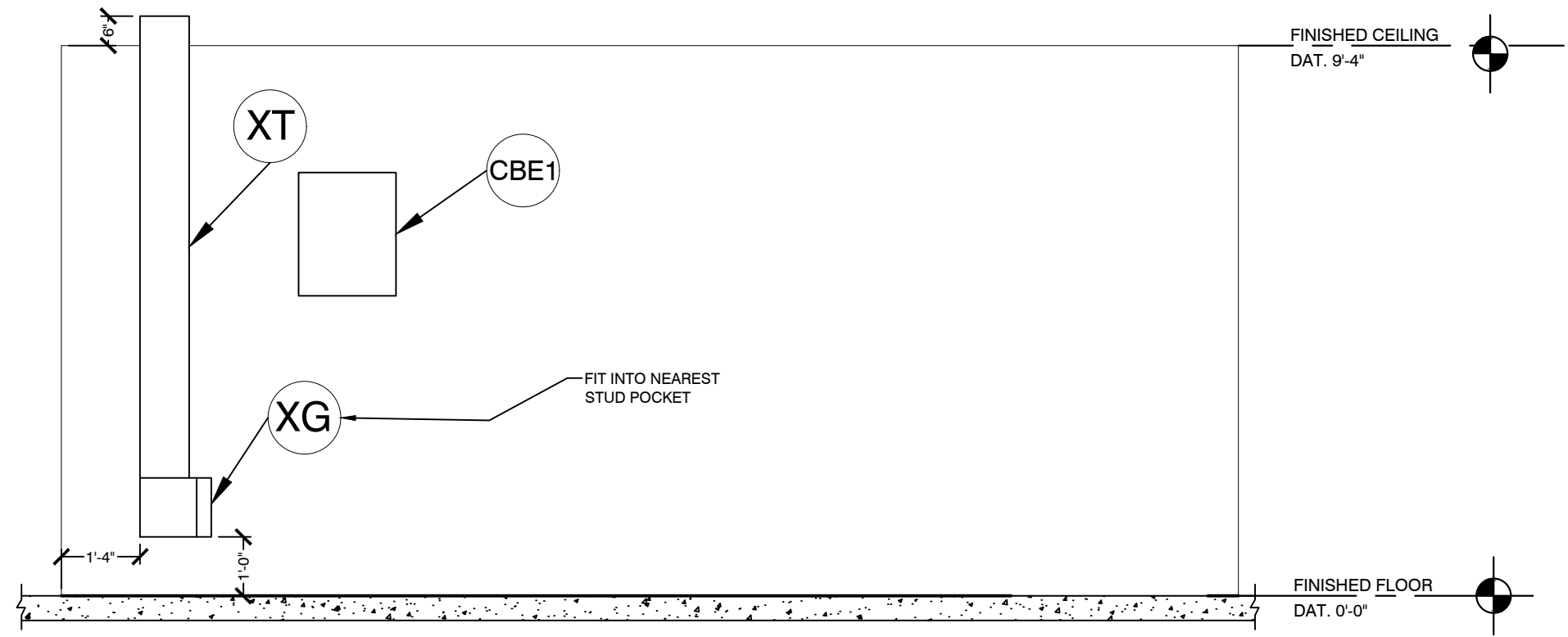
DRAWN BY:	GENE N.
CHK'D BY:	A.W.
CUSTOMER :	
SCALE:	NOTED
DATE:	6/16/2017 10:43:52 AM

FILE NAME:
 Sioux Falls F1 06-16-2017.dwg

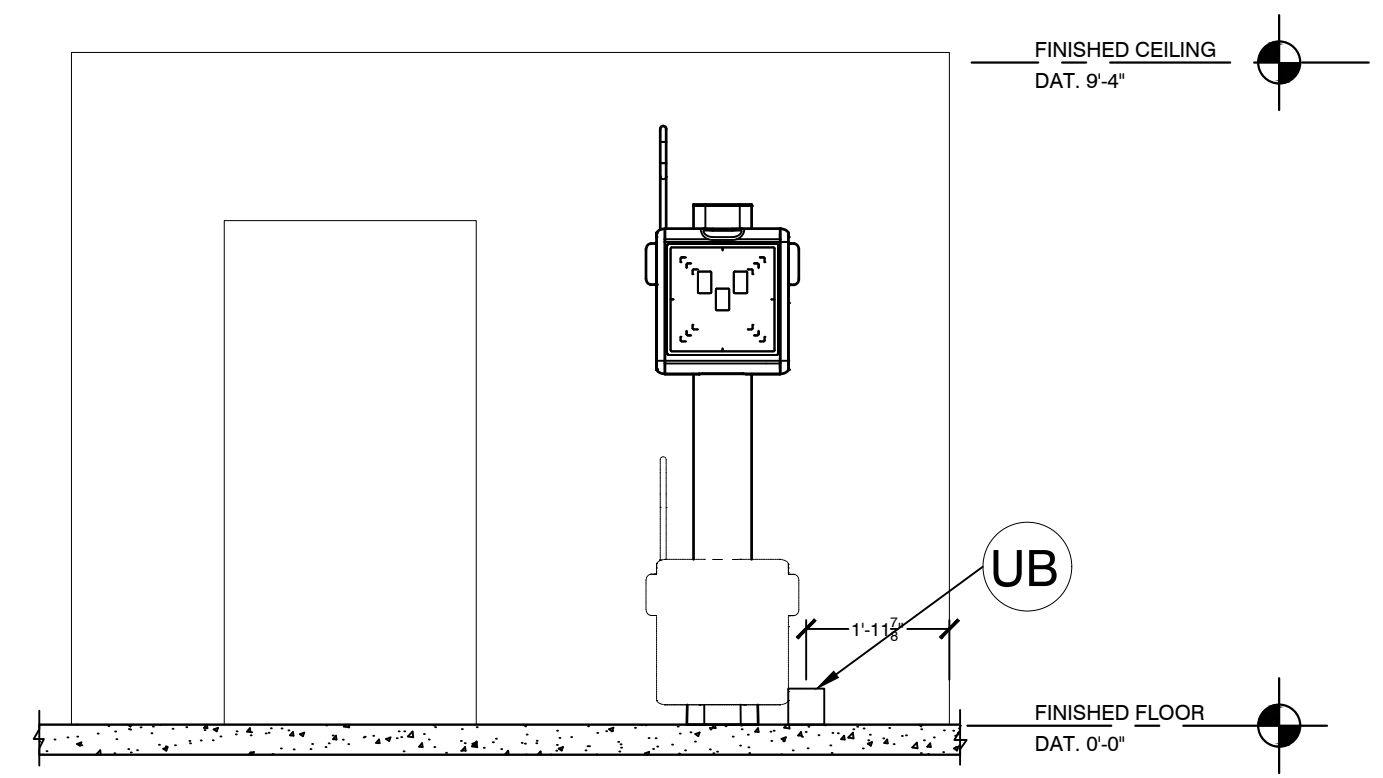
DRAWING SHEET #
E1.1



JUNCTION BOX/DUCT DETAILS
 SCALE: NTS



1 JUNCTION BOX ELEVATION
 SCALE: 3/8" = 1'-0"



2 UPRIGHT ELEVATION
 SCALE: 3/8" = 1'-0"

GENE NOWACZYK
 MEP
 SITE PLANNING &
 PROJECT DEVELOPMENT
 OFFICE: 816-741-5558
 CELL: 816-223-6378
 FAX: 816-587-2423
 EMAIL: GNOWACZYK@RADSOURCE.NET
 8121 N.W. 97TH TERR
 KANSAS CITY, MISSOURI 64153

PROJECT
SAMSUNG GC85
 SIOUX FALLS VA MEDICAL
 CENTER
 2501 WEST 22ND ST, SIOUX FALLS, SD, 57105

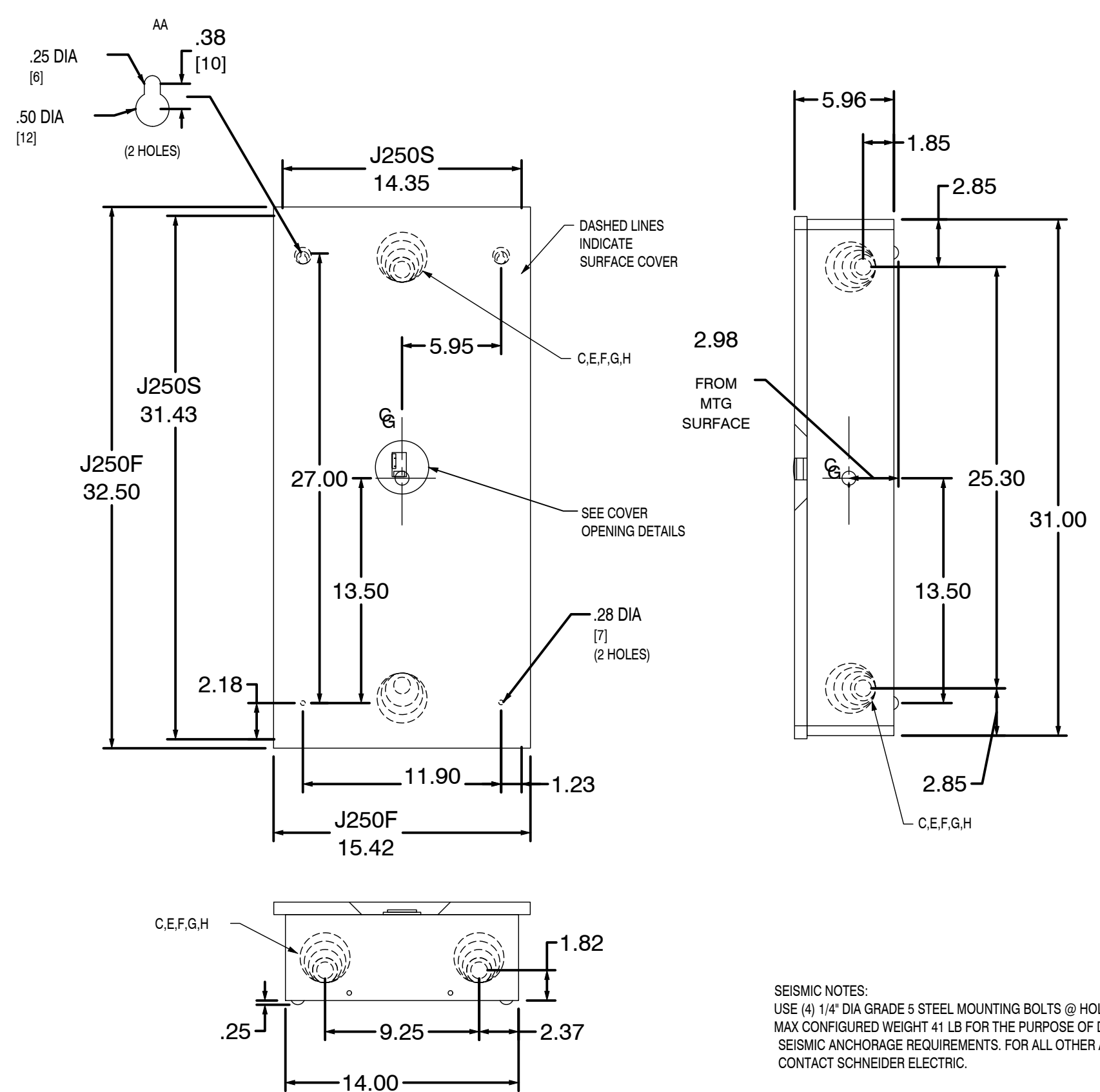
ARCHITECT:
 N/A
 p.N/A
 N/A
ELECTRICAL CONTRACTOR:
 XXX
 p.XXX-XXX-XXXX
 m.XXX-XXX-XXXX
 .NET/.COM
GENERAL CONTRACTOR:
 N/A
 p.XXX-XXX-XXXX
 m.XXX-XXX-XXXX
 N/A
PROJECT MANAGER FOR CUSTOMER:
 KERRY NILSON
 p.XXX
 KERRY.NILSON@VA.GOV
IT
 TROY MERGEN
 p. XXX
 TROY.MERGEN@VA.GOV
INFECTIOUS DISEASE
 ERIN HEWER
 p.XXX
 ERIN.HEWER@VA.GOV

REVISION:	DATE:

DRAWN BY: GENE N.
CHK'D BY: A.W.
CUSTOMER :
SCALE: NOTED
DATE: 6/16/2017 10:43:52 AM

FILE NAME:
 Sioux Falls F1 06-16-2017.dwg

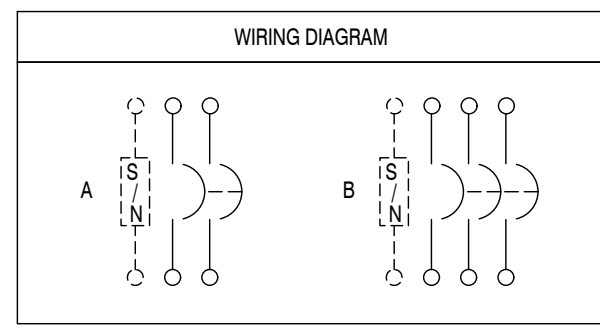
DRAWING SHEET #
E1.3



SEISMIC NOTES:
 USE (4) 1/4" DIA GRADE 5 STEEL MOUNTING BOLTS @ HOLES AA
 MAX CONFIGURED WEIGHT 41 LB FOR THE PURPOSE OF DETERMINING
 SEISMIC ANCHORAGE REQUIREMENTS. FOR ALL OTHER APPLICATIONS,
 CONTACT SCHNEIDER ELECTRIC.

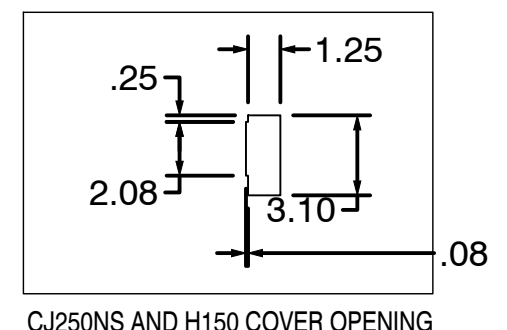
DUAL DIMENSIONS: INCHES MILLIMETERS

Contractor Supplied
 480V ac, 3 Phase +
 GND.
 50/60Hz

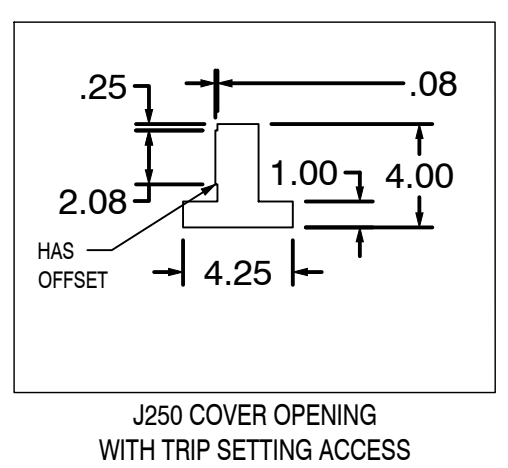


SYMBOL	CONDUIT SIZE		DIAMETER	
	IN	MM	IN	MM
C	1.00	25	1.38	35
E	1.50	38	2.00	51
F	2.00	51	2.50	64
G	2.50	64	3.00	76
H	3.00	76	3.63	92

▲ H150 F OR S
 J250 F OR S AND CJ250NS
 NEMA/EEMAC TYPE 1



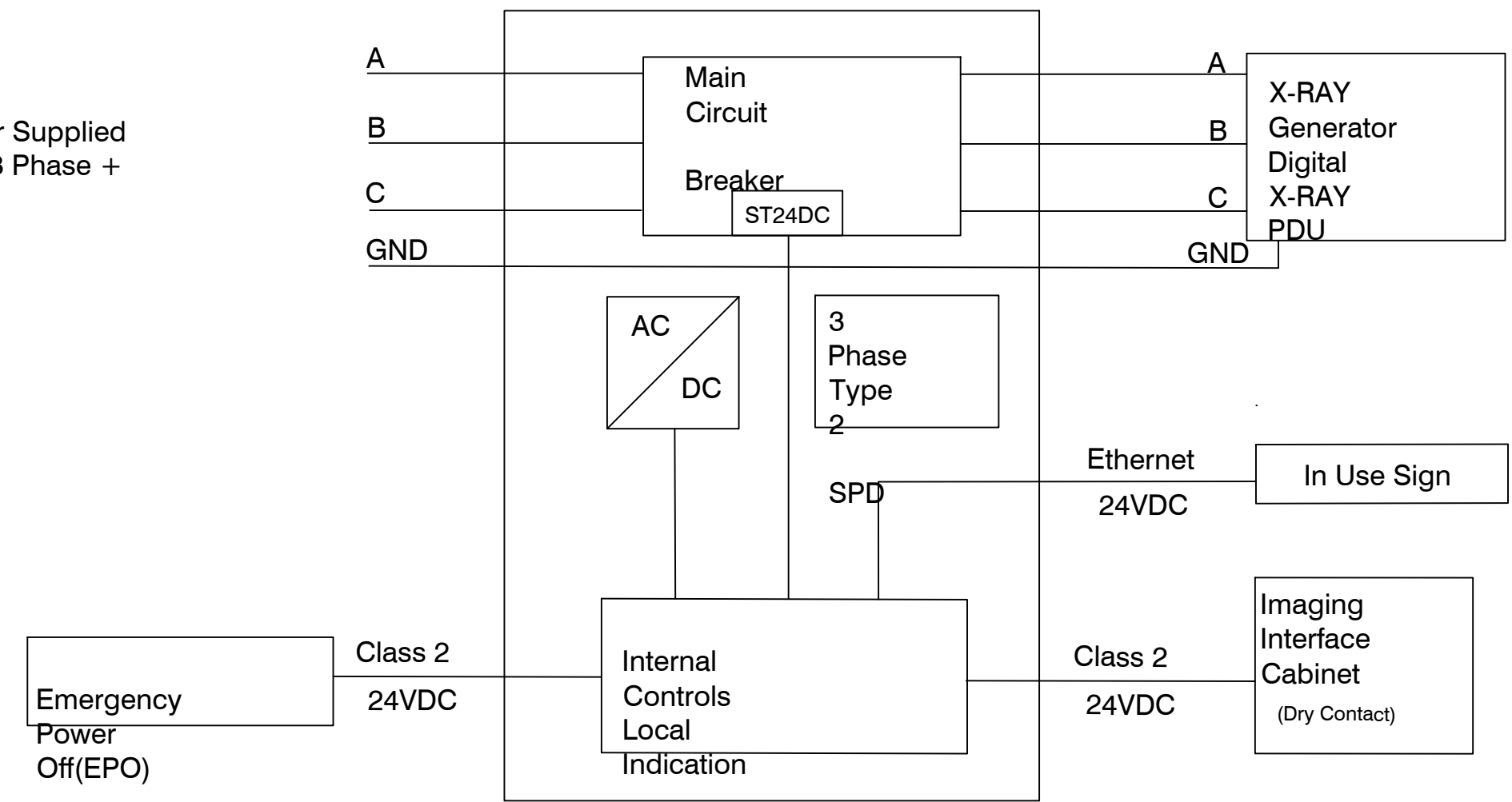
CIRCUIT BREAKER CATALOG NO. PREFIX	AMPERE RATING	CONDUCTORS PER PHASE	WIRE SIZE (AWG/KCMIL)		TYPE
			MAX	MIN	
HD, HG HJ, HL, HR	15-150	1	#3/0	#14	AL/CU
JD, JG JJ, JL, JR	150-175	1	#4/0	#4	AL/CU
	200-250	1	350	#3/0	



CATALOG NUMBER	MAXIMUM AMPERE RATING	NUMBER OF TERMINALS	CONDUCTORS PER TERMINAL	WIRE SIZE (AWG/KCMIL)		TYPE
				MAX	MIN	
SN100FA	100A	2	1	#1/0	#14	CU
SN400LA	250A	2	1 OR 2	#1/0	#12	AL
				#600	#1	AL OR CU
PK0GTJ250	250A	2	1	#300	#4	AL OR CU
PK0GTH150	150A	2	1	#300	#6	AL OR CU
				#2	#14	AL OR CU

FOR 200% NEURALS USE SN400LA (AMP RANGE 100 TO 250, CU WIRE ONLY).

CIRCUIT BREAKER CATALOG NO PREFIX	WIRING DIA	AMPERE RATING	UL LISTED INTERRUPTING RATING RMS SYMMETRICAL AMPERES							
			AC VOLTAGE				DC VOLTAGE			
			240	480Y/277	480	600Y/347	600	125	250	500
▲ HD JD	A,B A,B	15-150 150-250	25K 25K	18K 18K	18K 18K	14K 14K	14K 14K	20K 20K	20K 20K	-
▲ HG JG	A,B A,B	15-150 150-250	65K 65K	35K 35K	35K 35K	18K 18K	18K 18K	20K 20K	20K 20K	-
HJ JJ	A,B A,B	15-150 150-250	100K 100K	65K 65K	65K 65K	25K 25K	25K 25K	20K 20K	20K 20K	-
HL JL	A,B A,B	15-150 150-250	125K 125K	65K 65K	65K 65K	25K 25K	25K 25K	20K 20K	20K 20K	-
HR JR	A,B A,B	15-150 150-250	125K 125K	65K 65K	65K 65K	25K 25K	25K 25K	20K 20K	20K 20K	-



MAIN DISCONNECT (NEA-43080-4W-ST24DC-SPD-WLC-FC)

GENE NOWACZYK
MEP
SITE PLANNING &
PROJECT DEVELOPMENT
OFFICE: 816-741-5558
CELL: 816-223-6378
FAX: 816-587-2423
EMAIL: GNOWACZYK@RADSOURCE.NET
8121 N.W. 97TH TERR
KANSAS CITY, MISSOURI 64153

PROJECT

SAMSUNG GC85

SIOUX FALLS VA MEDICAL
CENTER

2501 WEST 22ND ST, SIOUX FALLS, SD, 57105

ARCHITECT:
N/A
p.N/A
N/A

ELECTRICAL CONTRACTOR:
XXX
p.XXX-XXX-XXXX
m.XXX-XXX-XXXX
.NET/.COM

GENERAL CONTRACTOR:
N/A
p.XXX-XXX-XXXX
m.XXX-XXX-XXXX
N/A

PROJECT MANAGER FOR CUSTOMER:
KERRY NILSON
p.XXX
KERRY.NILSON@VA.GOV

IT
TROY MERGEN
p. XXX
TROY.MERGEN@VA.GOV

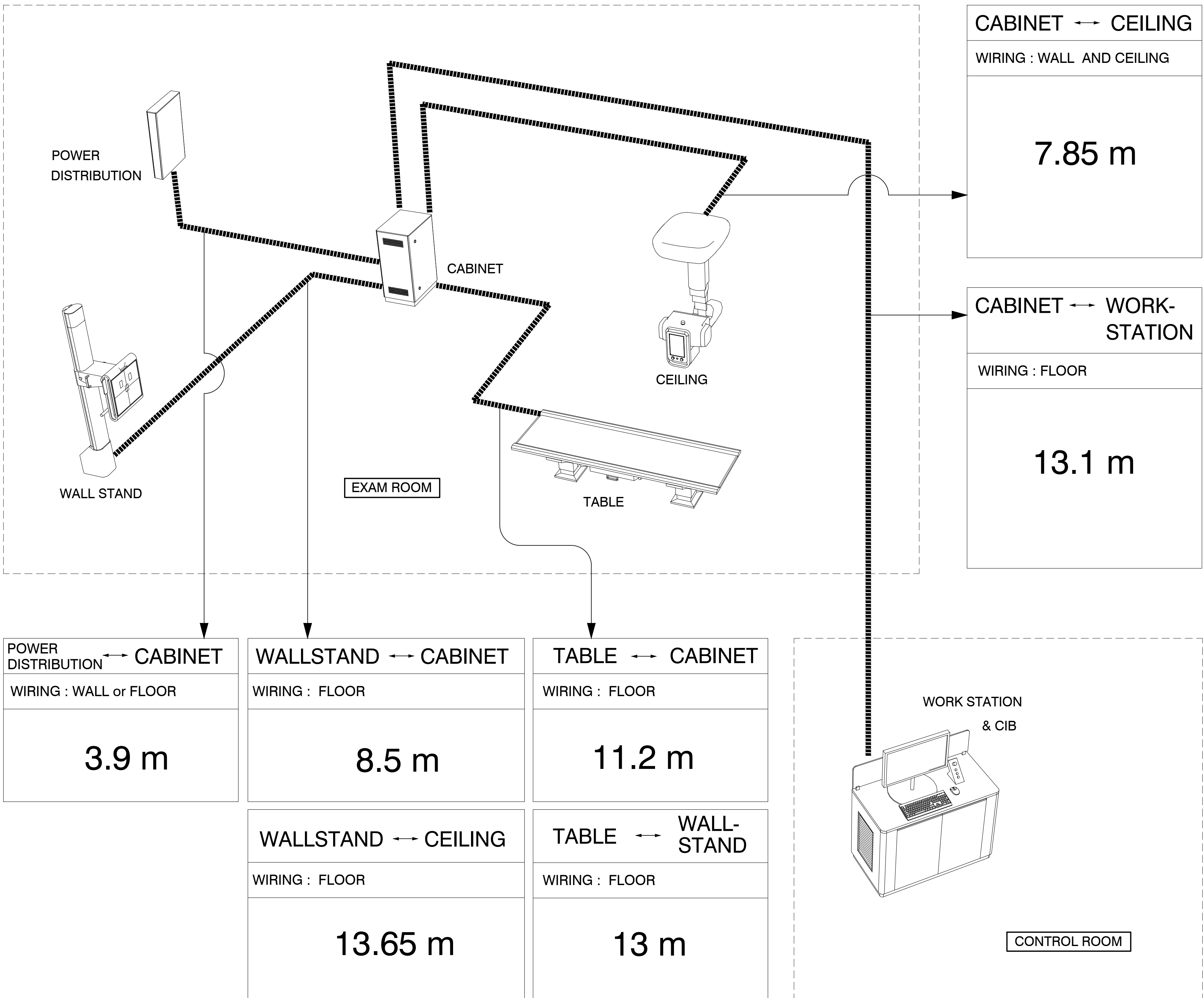
INFECTIOUS DISEASE
ERIN HEWER
p.XXX
ERIN.HEWER@VA.GOV

REVISION:	DATE:

DRAWN BY:	GENE N.
CHK'D BY:	A.W.
CUSTOMER :	
SCALE:	NOTED
DATE:	6/16/2017 10:43:52 AM

FILE NAME:
Sioux Falls F1 06-16-2017.dwg

DRAWING SHEET #
QE1



CABINET ↔ CEILING

WIRING : WALL AND CEILING

7.85 m

CABINET ↔ WORK-STATION

WIRING : FLOOR

13.1 m

POWER DISTRIBUTION ↔ CABINET

WIRING : WALL or FLOOR

3.9 m

WALLSTAND ↔ CABINET

WIRING : FLOOR

8.5 m

TABLE ↔ CABINET

WIRING : FLOOR

11.2 m

WALLSTAND ↔ CEILING

WIRING : FLOOR

13.65 m

TABLE ↔ WALL-STAND

WIRING : FLOOR

13 m

WORK STATION
& CIB

CONTROL ROOM

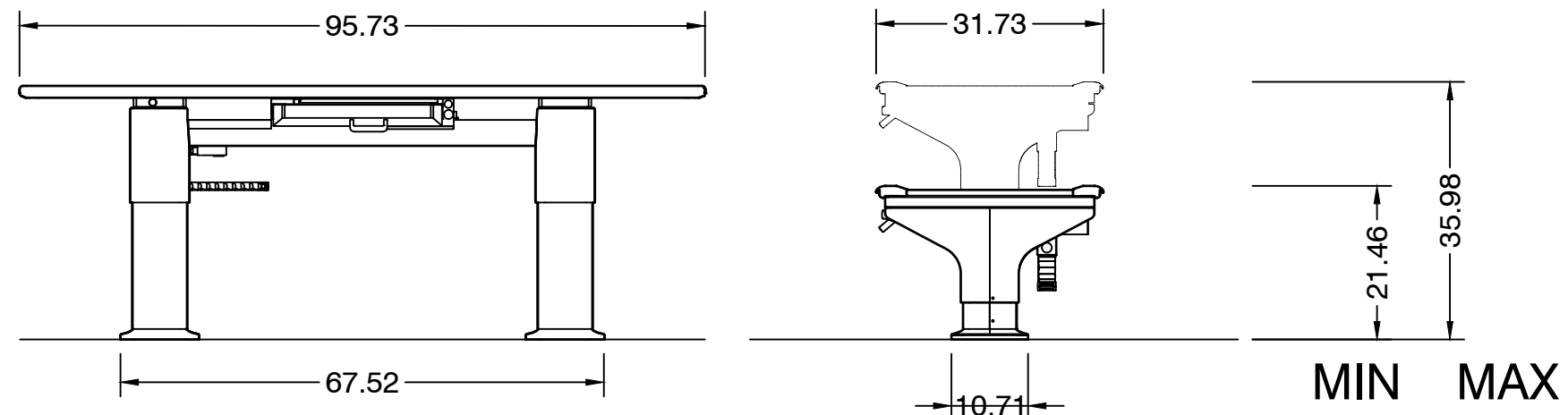
EXAM ROOM

WALL STAND

CABINET

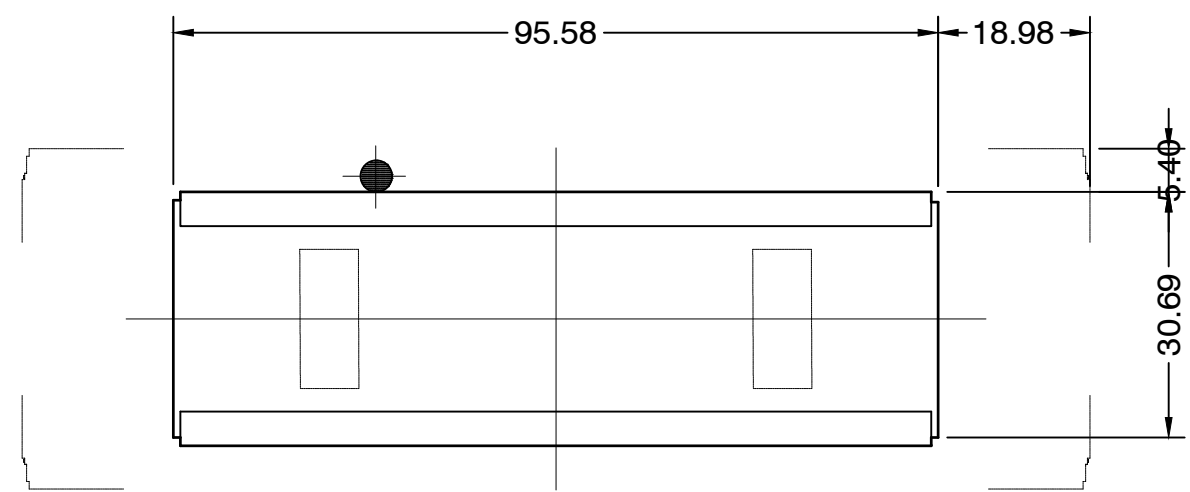
CEILING

TABLE



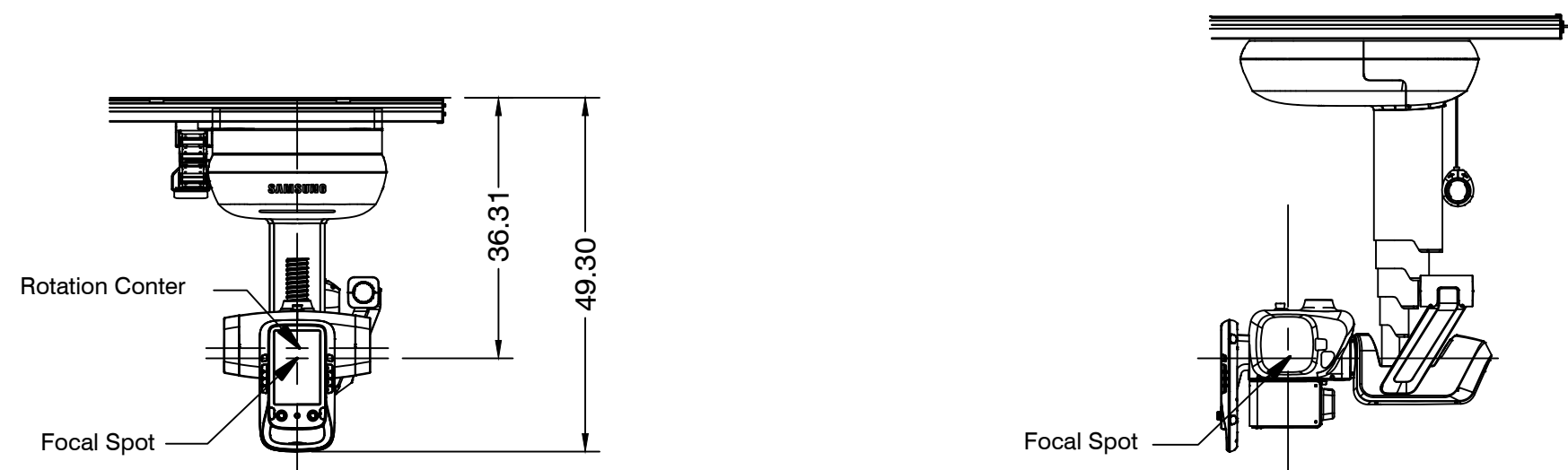
FRONT VIEW

SIDE VIEW



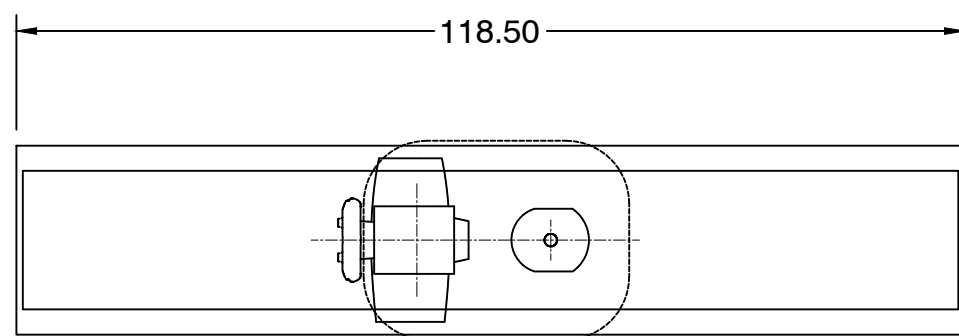
TOP VIEW

TABLE DETAIL DRAWING



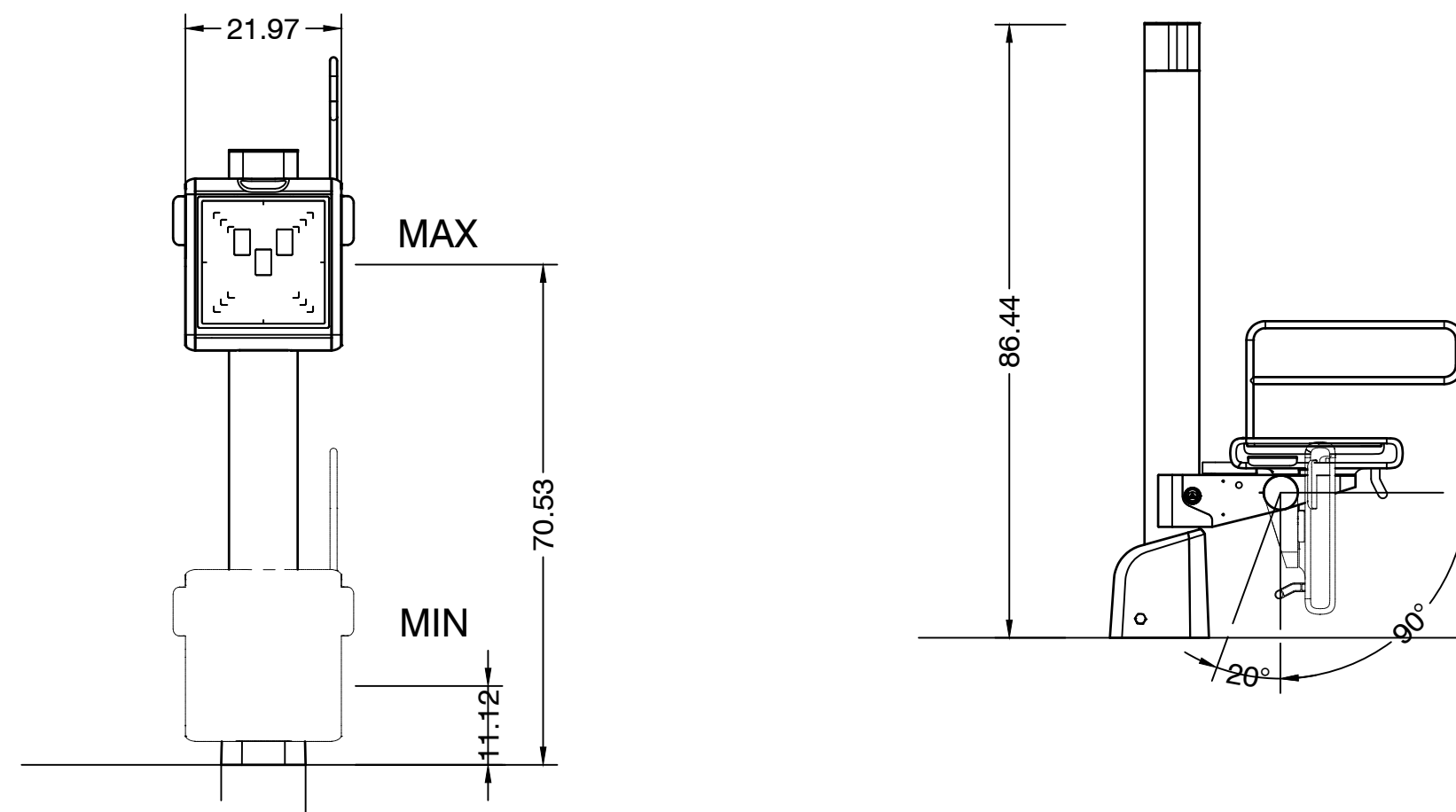
FRONT VIEW

SIDE VIEW



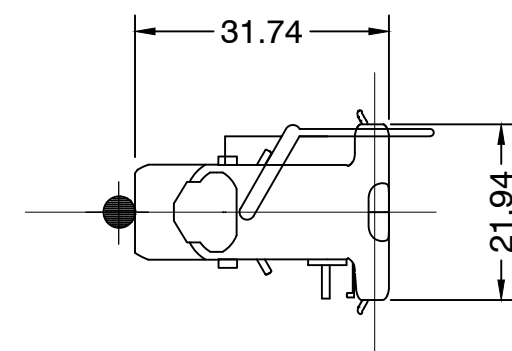
TOP VIEW

THU DETAIL DRAWING



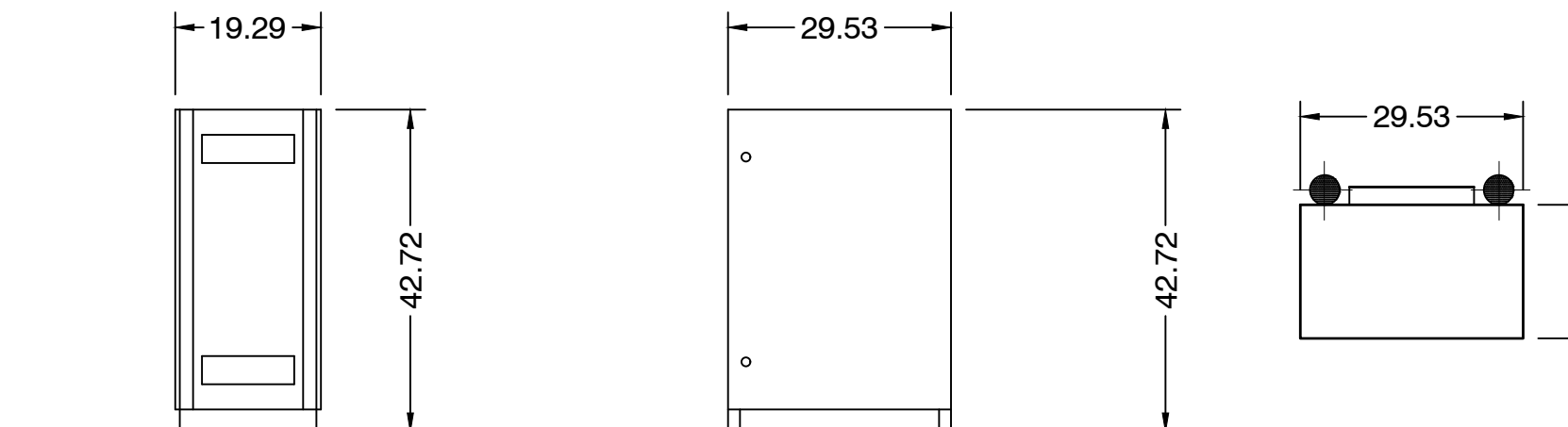
FRONT VIEW

SIDE VIEW



TOP VIEW

WALL STAND DETAIL DRAWING



FRONT VIEW

SIDE VIEW

TOP VIEW

CABINET DETAIL DRAWING

GENE NOWACZYK
 MEP
 SITE PLANNING &
 PROJECT DEVELOPMENT
 OFFICE: 816-741-5558
 CELL: 816-223-6378
 FAX: 816-587-2423
 EMAIL: GNOWACZYK@RADSOURCE.NET
 8121 N.W. 97TH TERR
 KANSAS CITY, MISSOURI 64153

PROJECT

SAMSUNG GC85
 SIOUX FALLS VA MEDICAL
 CENTER

2501 WEST 22ND ST, SIOUX FALLS, SD, 57105

ARCHITECT:
 N/A
 p.N/A
 N/A

ELECTRICAL CONTRACTOR:
 XXX
 p.XXX-XXX-XXXX
 m.XXX-XXX-XXXX
 .NET/.COM

GENERAL CONTRACTOR:
 N/A
 p.XXX-XXX-XXXX
 m.XXX-XXX-XXXX
 N/A

PROJECT MANAGER FOR CUSTOMER:
 KERRY NILSON
 p.XXX
 KERRY.NILSON@VA.GOV

IT
 TROY MERGEN
 p. XXX
 TROY.MERGEN@VA.GOV

INFECTIOUS DISEASE
 ERIN HEWER
 p.XXX
 ERIN.HEWER@VA.GOV

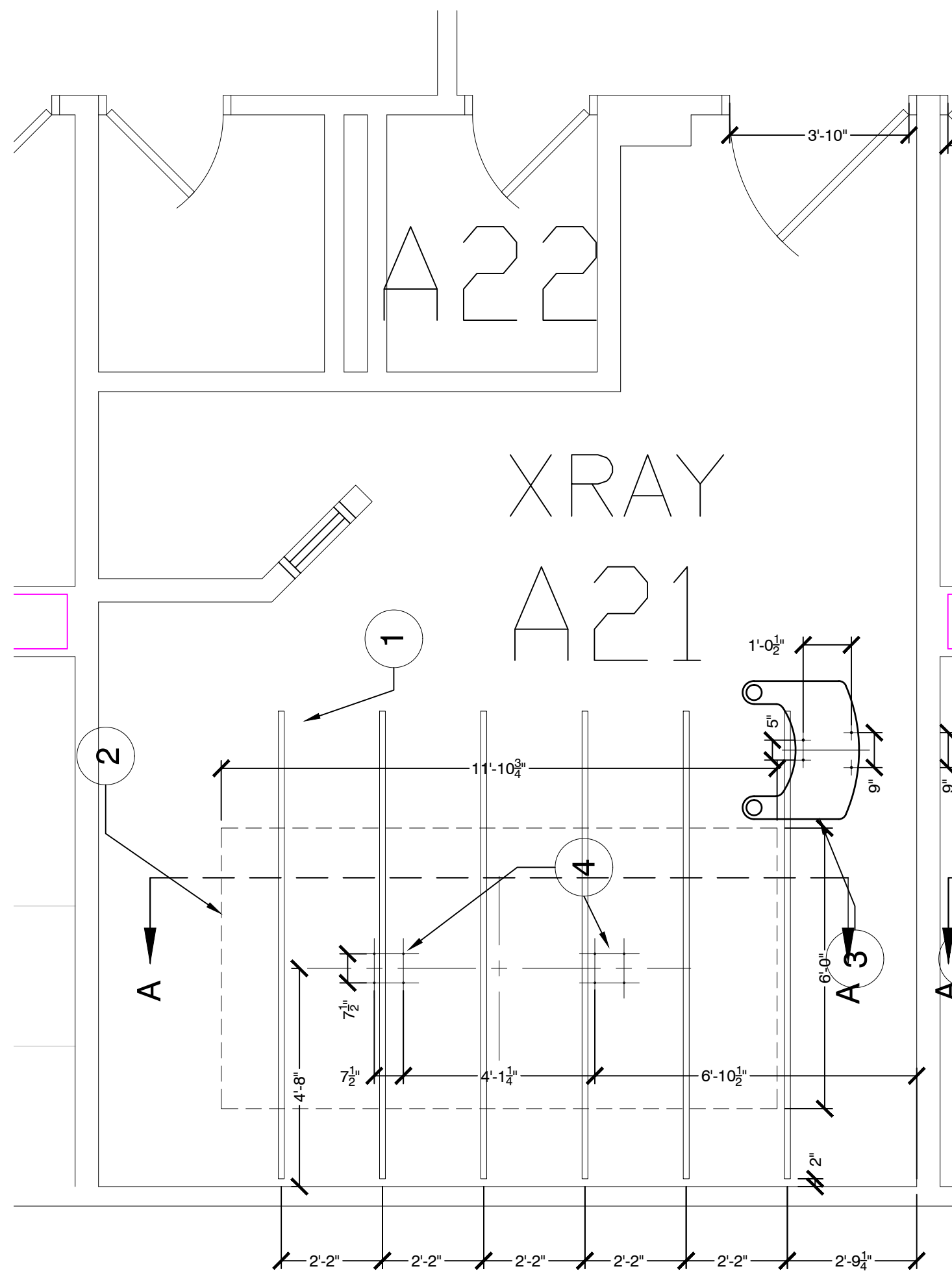
REVISION:	DATE:

DRAWN BY:	GENE N.
CHK'D BY:	A.W.
CUSTOMER :	
SCALE:	NOTED
DATE:	6/16/2017 10:43:52 AM

FILE NAME:
 Sioux Falls F1 06-16-2017.dwg

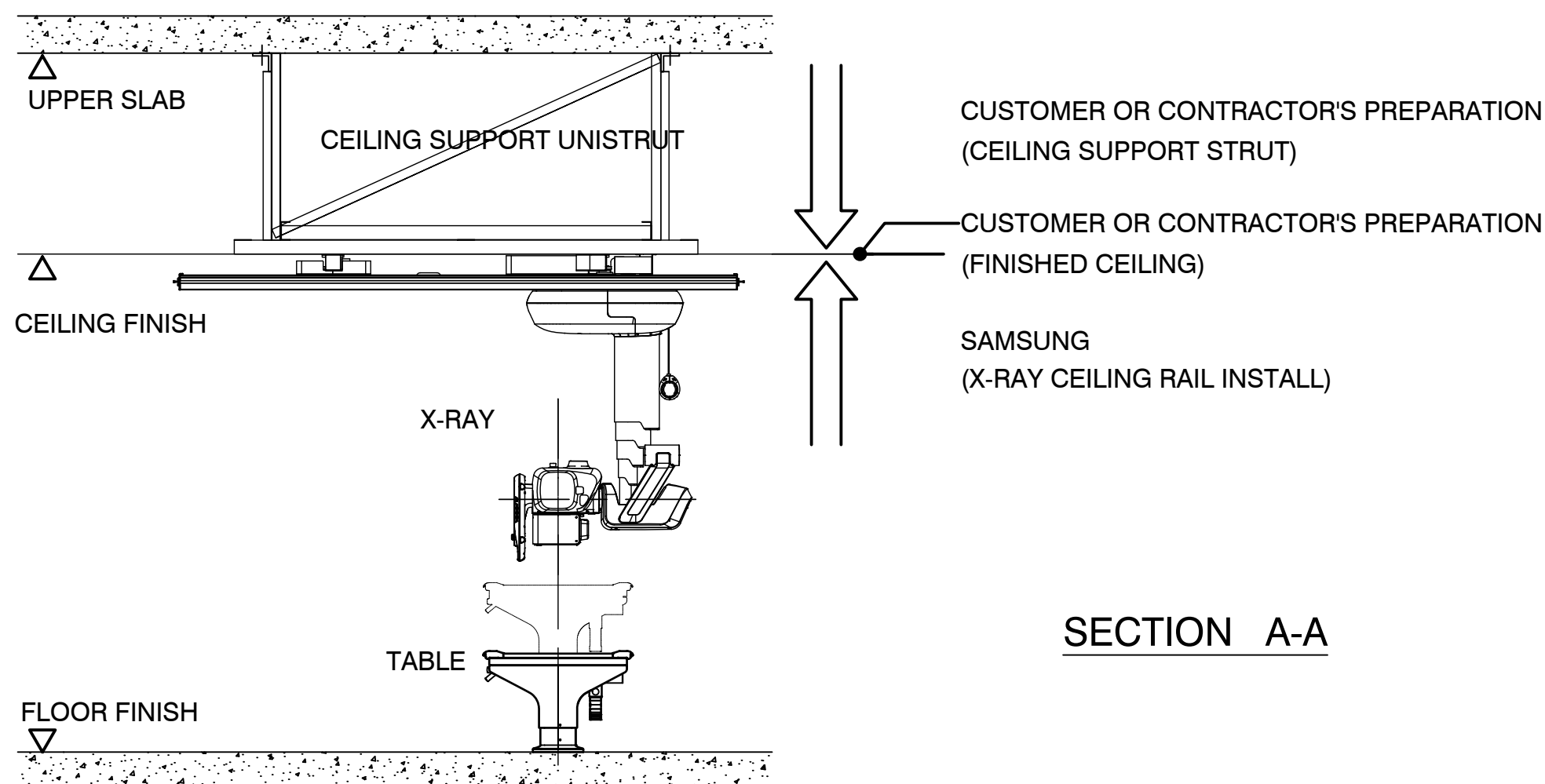
DRAWING SHEET #

Q1



STRUCTURAL LAYOUT SAMSUNG GC85

SCALE: 3/8" = 1'-0"
RECOMMENDED CEILING HEIGHT 9'-4.0"



SECTION A-A

- 1 SPANNING MEMBERS:
STEEL CHANNEL STRUT FLUSH WITH FINISHED CEILING. SPACED AS INDICATED ON SHEET "S1"
RECOMMENDED FABRICATION DETAILS ON SHEET "S2"
LOADS SHOULD BE CALCULATED FROM SHEET G1-1 (EQUIPMENT LEGEND ITEMS 4 & 5)
- 2 AREA OF EXAM ROOM TO BE LEVELED FOR X-RAY EQUIPMENT. CONTRACTOR TO VERIFY MINIMUM SPECIFICATION OF FLOOR SLABS ON WHICH EQUIPMENT IS TO BE INSTALLED MUST BE LEVEL TO 1MM IN 10.0".
- 3 CHEST STAND MOUNTING PLATE / ANCHOR BOLT PATTERN
- 4 TABLE MOUNTING BOLT PATTERN AND LOCATION

GENERAL STRUCTURAL NOTES

FLOOR SLABS ON WHICH EQUIPMENT IS TO BE INSTALLED MUST BE LEVEL TO 1MM IN 10.0".

DIMENSIONS ARE TO FINISHED SURFACES OF ROOM.

CUSTOMERS CONTRACTOR N/A MUST PROVIDE ALL PENETRATIONS IN POST TENSION FLOORS.

CUSTOMERS CONTRACTORS N/A MUST PROVIDE AND INSTALL ALL HARDWARE FOR "THROUGH THE FLOOR" ANCHORING AND/OR ANY BRACING UNDER SLAB AND/OR ACCESS FLOORS. THE CONTRACTOR MUST ALSO PROVIDE FLOOR DRILLING THAT CAN NOT BE COMPLETED BECAUSE OF AN OBSTRUCTION ENCOUNTERED BY THE INSTALLER SUCH AS REBAR ETC...

IT IS THE RESPONSIBILITY OF THE CUSTOMER SIOUX FALLS VA MEDICAL CENTER/CONTRACTOR N/A TO PERFORM ANY FLOOR OR WALL PENETRATIONS THAT MAY BE REQUIRED. THE CUSTOMER SIOUX FALLS VA MEDICAL CENTER/CONTRACTOR N/A IS ALSO RESPONSIBLE FOR ENSURING THAT NO SUBSURFACE UTILITIES I.E. ELECTRICAL, PLUMBING OR ANY OTHER FORM OF WIRING, CONDUITS, PIPING, DUCT WORK OR STRUCTURAL SUPPORTS E.G. POST TENSION CABLES OR REBAR WILL INTERFERE OR COME IN CONTACT WITH SUBSURFACE PENETRATION OPERATIONS, E.G. DRILLING AND INSTALLATION OF ANCHORING PERFORMED DURING THE INSTALLATION PROCESS. TO ENSURE WORKERS SAFETY INSTALLERS WILL ONLY PERFORM SURFACE PENETRATION OPERATIONS ONLY AFTER THE CUSTOMERS CONTRACTOR HAS VALIDATED THE SURFACE TO BE PENETRATED.

ALL CEILING MOUNTED FIXTURES SUCH AS AIR VENTS, SPRINKLERS etc. TO BE FLUSH MOUNTED OR NOT TO EXTEND MORE THEN 1/4" BELOW THE FINISHED CEILING.

ALL STEEL WORK AND PARTS NECESSARY TO SUPPORT CEILING MOUNTED EQUIPMENT IS TO BE SUPPLIED BY THE CUSTOMER SIOUX FALLS VA MEDICAL CENTER OR THEIR CONTRACTOR N/A.

ALL UNITS THAT ARE WALL MOUNTED OR WALL SUPPORTED ARE TO BE PROVIDED WITH SUPPORTS WHERE NECESSARY. WALL SUPPORTS ARE TO BE SUPPLIED AND INSTALLED BY THE CUSTOMER SIOUX FALLS VA MEDICAL CENTER OR THEIR CONTRACTOR N/A.

GENERAL STRUCTURAL CEILING SUPPORT REQUIREMENTS

A WELDED OR FABRICATED STRUCTURAL SUPPORT IS REQUIRED FOR CEILING MOUNTED X-RAY UNITS. IT'S TOP MEMBER IS FASTENED TO THE FLOOR SLAB (OR BUILDING STEEL) ABOVE THE EXAM ROOM. THE BOTTOM OF IT'S LOWEST SPANNING MEMBER IS FLUSH WITH THE FINISHED CEILING TO WHICH THE STATIONARY CEILING TRACKS ARE FASTENED.

THE DETAILS PROVIDED HERE INDICATE A BASIC SUPPORT METHOD THAT PERMITS TRANSVERSE AND LONGITUDINAL ADJUSTMENT OF BOLT CENTERS AT THE INSTALLATION SITE. IT CAN BE ADAPTED TO ACCOMMODATE THE VARIOUS ARCHITECTURAL CIRCUMSTANCES ENCOUNTERED AT EACH INSTALLATION.

THE SUPPORT MUST BE RIGID, SECURELY BRACED AND LEVEL IN BOTH DIRECTIONS AT THE FINISHED CEILING LINE. LENGTH AND LOADING CAPACITY WILL DEPEND ON THE SELECTED CEILING UNIT AND NUMBER OF CARRIAGE ASSEMBLIES TO BE BORNE. ACTUAL EQUIPMENT LOADS FOR EACH ROOM ARE SPECIFIED ON SITE PLANNING DRAWINGS UNDER THE STRUCTURAL DETAIL SPECIFICATIONS.

IT IS SUGGESTED THAT THROUGH BOLTING THE SUPPORT STRUCTURE TO BUILDING STRUCTURE OCCUR WHENEVER POSSIBLE. APPLICABLE CONDITIONS WILL ALSO ACCEPT THE APPLICATION OF HILTI EXPANSION ANCHORS (OR EQUAL) IN LIEU OF THROUGH BOLTING. ACTUAL METHODS AND MATERIALS SHALL BE DETERMINED BY THE ENGINEER OF RECORD. ALL SUPPORT MEMBERS, ANCHOR BOLTS AND HARDWARE SHALL BE PROVIDED AND INSTALLED BY THE CUSTOMER/CONTRACTOR. THE LENGTH OF BOLTS SHALL BE DETERMINED TO MEET SPECIFIC SITE REQUIREMENTS BY THE ENGINEER OF RECORD.

CENTERLINES OF THE TWO LONGITUDINAL RAILS HOLDING THE SUSPENDED WEIGHTS ARE SHOWN. STEEL CHANNEL STRUT FLUSH FINISHED CEILING SHALL BE IDENTIFIED AS THE SPANNING MEMBERS. THESE MEMBERS MUST BE LEVEL IN BOTH DIRECTIONS TO WITHIN 1MM AND BRACED TO PREVENT MOVEMENT IN ANY DIRECTION. THEY MUST BE SECURED TO THE SLAB ABOVE AND/OR TO THE BUILDING STRUCTURE TO HOLD THE DEAD WEIGHTS INDICATED. see EQUIPMENT LEGEND "SHEET A1"

INSTALLATION OF THE SUPPORT MAY BE AFFECTED BY OTHER ARCHITECTURAL OR MECHANICAL PROVISIONS WHICH MAY BE LOCATED IN THE SAME AREA. IN THIS CASE, COORDINATION OF THE REPRESENTATIVE MUST BE CONSULTED BEFORE ANY DEVIATION FROM THE SITE PLANNING DRAWINGS IS UNDERTAKEN.

1. CUSTOMER SIOUX FALLS VA MEDICAL CENTER CAN ALSO UTILIZE AN EXISTING SUPPORT STRUCTURE, ONLY IF THE STRUCTURE IS CERTIFIED BY A LICENSED/PROFESSIONAL STRUCTURAL ENGINEER.
2. SUPPORT STRUCTURE MUST MEET ALL REQUIRED EQUIPMENT SUPPORT NEEDS FOR WIDTH, DEPTH, STRENGTH, ETC.
3. CUSTOMER SIOUX FALLS VA MEDICAL CENTER IS RESPONSIBLE FOR MEETING SITE CONDITIONS FOR STATIC LOADS, LEVELNESS, ETC.

GENE NOWACZYK
MEP
SITE PLANNING &
PROJECT DEVELOPMENT

OFFICE: 816-741-5558
CELL: 816-223-6378
FAX: 816-587-2423
EMAIL: GNOWACZYK@RADSOURCE.NET
8121 N.W. 97TH TERR
KANSAS CITY, MISSOURI 64153

PROJECT

SAMSUNG GC85

SIOUX FALLS VA MEDICAL CENTER

2501 WEST 22ND ST, SIOUX FALLS, SD, 57105

ARCHITECT:
N/A
p.N/A
N/A

ELECTRICAL CONTRACTOR:
XXX
p.XXX-XXX-XXXX
m.XXX-XXX-XXXX
.NET/.COM

GENERAL CONTRACTOR:
N/A
p.XXX-XXX-XXXX
m.XXX-XXX-XXXX
N/A

PROJECT MANAGER FOR CUSTOMER:
KERRY NILSON
p.XXX
KERRY.NILSON@VA.GOV

IT
TROY MERGEN
p. XXX
TROY.MERGEN@VA.GOV

INFECTIOUS DISEASE
ERIN HEWER
p.XXX
ERIN.HEWER@VA.GOV

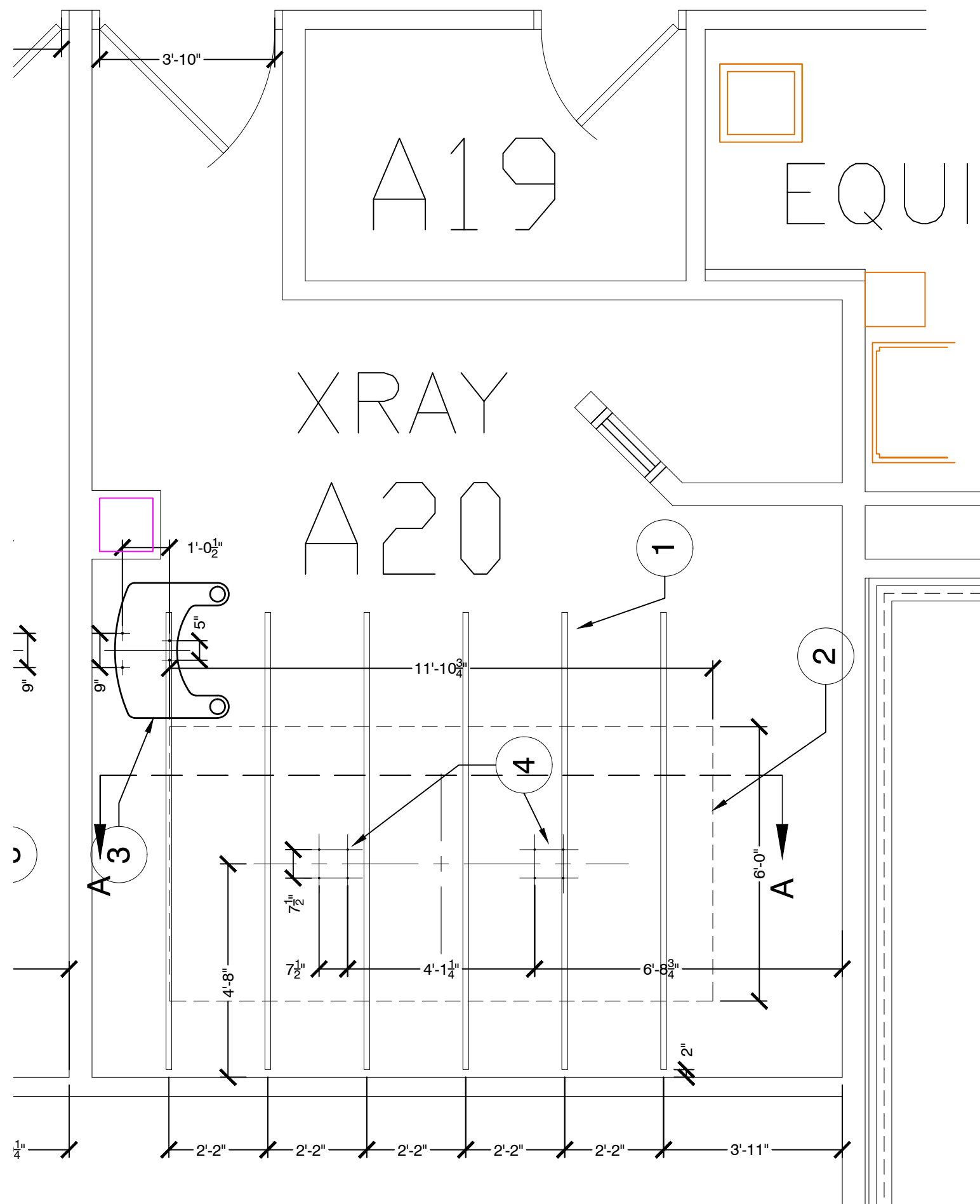
REVISION:	DATE:

DRAWN BY:	GENE N.
CHK'D BY:	A.W.
CUSTOMER :	
SCALE:	NOTED
DATE:	6/16/2017 10:43:52 AM

FILE NAME:
Sioux Falls F1 06-16-2017.dwg

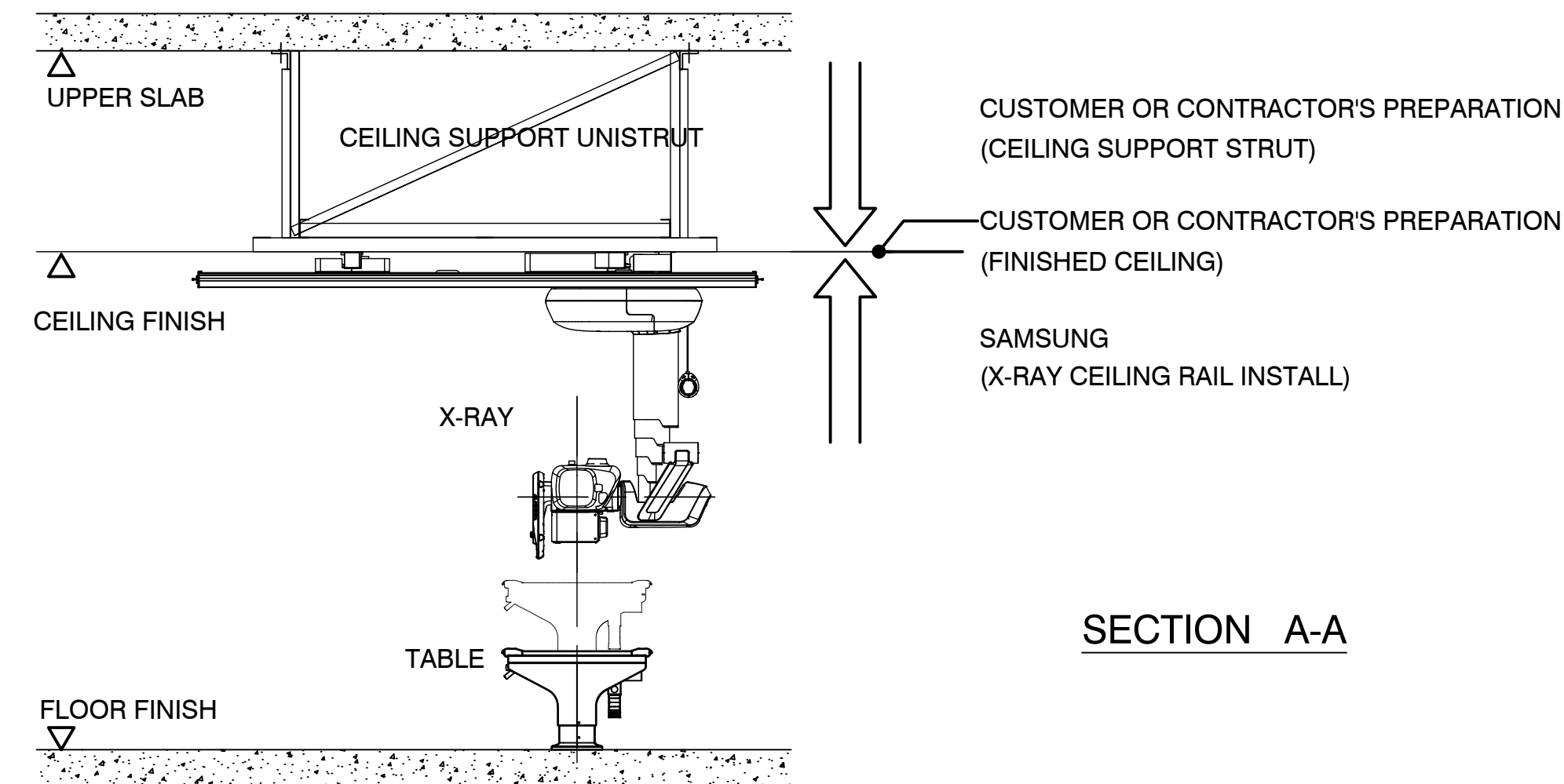
DRAWING SHEET #

S1



STRUCTURAL LAYOUT SAMSUNG GC85

SCALE: 3/8" = 1'-0"
RECOMMENDED CEILING HEIGHT 9'-4.0"



SECTION A-A

- 1 SPANNING MEMBERS:
STEEL CHANNEL STRUT FLUSH WITH FINISHED CEILING. SPACED AS INDICATED ON SHEET "S1" RECOMMENDED FABRICATION DETAILS ON SHEET "S2" LOADS SHOULD BE CALCULATED FROM SHEET G1-1 (EQUIPMENT LEGEND ITEMS 4 & 5)
- 2 AREA OF EXAM ROOM TO BE LEVELED FOR X-RAY EQUIPMENT. CONTRACTOR TO VERIFY MINIMUM SPECIFICATION OF FLOOR SLABS ON WHICH EQUIPMENT IS TO BE INSTALLED MUST BE LEVEL TO 1MM IN 10.0".
- 3 CHEST STAND MOUNTING PLATE / ANCHOR BOLT PATTERN
- 4 TABLE MOUNTING BOLT PATTERN AND LOCATION

GENERAL STRUCTURAL NOTES

FLOOR SLABS ON WHICH EQUIPMENT IS TO BE INSTALLED MUST BE LEVEL TO 1MM IN 10.0".

DIMENSIONS ARE TO FINISHED SURFACES OF ROOM.

CUSTOMERS CONTRACTOR N/A MUST PROVIDE ALL PENETRATIONS IN POST TENSION FLOORS.

CUSTOMERS CONTRACTORS N/A MUST PROVIDE AND INSTALL ALL HARDWARE FOR "THROUGH THE FLOOR" ANCHORING AND/OR ANY BRACING UNDER SLAB AND/OR ACCESS FLOORS. THE CONTRACTOR MUST ALSO PROVIDE FLOOR DRILLING THAT CAN NOT BE COMPLETED BECAUSE OF AN OBSTRUCTION ENCOUNTERED BY THE INSTALLER SUCH AS REBAR ETC...

IT IS THE RESPONSIBILITY OF THE CUSTOMER SIOUX FALLS VA MEDICAL CENTER/CONTRACTOR N/A TO PERFORM ANY FLOOR OR WALL PENETRATIONS THAT MAY BE REQUIRED. THE CUSTOMER SIOUX FALLS VA MEDICAL CENTER/CONTRACTOR N/A IS ALSO RESPONSIBLE FOR ENSURING THAT NO SUBSURFACE UTILITIES I.E. ELECTRICAL, PLUMBING OR ANY OTHER FORM OF WIRING, CONDUITS, PIPING, DUCT WORK OR STRUCTURAL SUPPORTS E.G. POST TENSION CABLES OR REBAR WILL INTERFERE OR COME IN CONTACT WITH SUBSURFACE PENETRATION OPERATIONS, E.G. DRILLING AND INSTALLATION OF ANCHORING PERFORMED DURING THE INSTALLATION PROCESS. TO ENSURE WORKERS SAFETY INSTALLERS WILL ONLY PERFORM SURFACE PENETRATION OPERATIONS ONLY AFTER THE CUSTOMERS CONTRACTOR HAS VALIDATED THE SURFACE TO BE PENETRATED.

ALL CEILING MOUNTED FIXTURES SUCH AS AIR VENTS, SPRINKLERS etc. TO BE FLUSH MOUNTED OR NOT TO EXTEND MORE THEN 1/4" BELOW THE FINISHED CEILING.

ALL STEEL WORK AND PARTS NECESSARY TO SUPPORT CEILING MOUNTED EQUIPMENT IS TO BE SUPPLIED BY THE CUSTOMER SIOUX FALLS VA MEDICAL CENTER OR THEIR CONTRACTOR N/A.

ALL UNITS THAT ARE WALL MOUNTED OR WALL SUPPORTED ARE TO BE PROVIDED WITH SUPPORTS WHERE NECESSARY. WALL SUPPORTS ARE TO BE SUPPLIED AND INSTALLED BY THE CUSTOMER SIOUX FALLS VA MEDICAL CENTER OR THEIR CONTRACTOR N/A.

GENERAL STRUCTURAL CEILING SUPPORT REQUIREMENTS

A WELDED OR FABRICATED STRUCTURAL SUPPORT IS REQUIRED FOR CEILING MOUNTED X-RAY UNITS. IT'S TOP MEMBER IS FASTENED TO THE FLOOR SLAB (OR BUILDING STEEL) ABOVE THE EXAM ROOM. THE BOTTOM OF IT'S LOWEST SPANNING MEMBER IS FLUSH WITH THE FINISHED CEILING TO WHICH THE STATIONARY CEILING TRACKS ARE FASTENED.

THE DETAILS PROVIDED HERE INDICATE A BASIC SUPPORT METHOD THAT PERMITS TRANSVERSE AND LONGITUDINAL ADJUSTMENT OF BOLT CENTERS AT THE INSTALLATION SITE. IT CAN BE ADAPTED TO ACCOMMODATE THE VARIOUS ARCHITECTURAL CIRCUMSTANCES ENCOUNTERED AT EACH INSTALLATION.

THE SUPPORT MUST BE RIGID, SECURELY BRACED AND LEVEL IN BOTH DIRECTIONS AT THE FINISHED CEILING LINE. LENGTH AND LOADING CAPACITY WILL DEPEND ON THE SELECTED CEILING UNIT AND NUMBER OF CARRIAGE ASSEMBLIES TO BE BORNE. ACTUAL EQUIPMENT LOADS FOR EACH ROOM ARE SPECIFIED ON SITE PLANNING DRAWINGS UNDER THE STRUCTURAL DETAIL SPECIFICATIONS.

IT IS SUGGESTED THAT THROUGH BOLTING THE SUPPORT STRUCTURE TO BUILDING STRUCTURE OCCUR WHENEVER POSSIBLE. APPLICABLE CONDITIONS WILL ALSO ACCEPT THE APPLICATION OF HILTI EXPANSION ANCHORS (OR EQUAL) IN LIEU OF THROUGH BOLTING. ACTUAL METHODS AND MATERIALS SHALL BE DETERMINED BY THE ENGINEER OF RECORD. ALL SUPPORT MEMBERS, ANCHOR BOLTS AND HARDWARE SHALL BE PROVIDED AND INSTALLED BY THE CUSTOMER/CONTRACTOR. THE LENGTH OF BOLTS SHALL BE DETERMINED TO MEET SPECIFIC SITE REQUIREMENTS BY THE ENGINEER OF RECORD.

CENTERLINES OF THE TWO LONGITUDINAL RAILS HOLDING THE SUSPENDED WEIGHTS ARE SHOWN. STEEL CHANNEL STRUT FLUSH FINISHED CEILING SHALL BE IDENTIFIED AS THE SPANNING MEMBERS. THESE MEMBERS MUST BE LEVEL IN BOTH DIRECTIONS TO WITHIN 1MM AND BRACED TO PREVENT MOVEMENT IN ANY DIRECTION. THEY MUST BE SECURED TO THE SLAB ABOVE AND/OR TO THE BUILDING STRUCTURE TO HOLD THE DEAD WEIGHTS INDICATED. see EQUIPMENT LEGEND "SHEET A1"

INSTALLATION OF THE SUPPORT MAY BE AFFECTED BY OTHER ARCHITECTURAL OR MECHANICAL PROVISIONS WHICH MAY BE LOCATED IN THE SAME AREA. IN THIS CASE, COORDINATION OF THE REPRESENTATIVE MUST BE CONSULTED BEFORE ANY DEVIATION FROM THE SITE PLANNING DRAWINGS IS UNDERTAKEN.

1. CUSTOMER SIOUX FALLS VA MEDICAL CENTER CAN ALSO UTILIZE AN EXISTING SUPPORT STRUCTURE, ONLY IF THE STRUCTURE IS CERTIFIED BY A LICENSED/PROFESSIONAL STRUCTURAL ENGINEER.
2. SUPPORT STRUCTURE MUST MEET ALL REQUIRED EQUIPMENT SUPPORT NEEDS FOR WIDTH, DEPTH, STRENGTH, ETC.
3. CUSTOMER SIOUX FALLS VA MEDICAL CENTER IS RESPONSIBLE FOR MEETING SITE CONDITIONS FOR STATIC LOADS, LEVELNESS, ETC.

GENE NOWACZYK
MEP
SITE PLANNING &
PROJECT DEVELOPMENT

OFFICE: 816-741-5558
CELL: 816-223-6378
FAX: 816-587-2423
EMAIL: GNOWACZYK@RADSOURCE.NET
8121 N.W. 97TH TERR
KANSAS CITY, MISSOURI 64153

PROJECT

SAMSUNG GC85

SIOUX FALLS VA MEDICAL
CENTER

2501 WEST 22ND ST, SIOUX FALLS, SD, 57105

ARCHITECT:
N/A
p.N/A
N/A

ELECTRICAL CONTRACTOR:
XXX
p.XXX-XXX-XXXX
m.XXX-XXX-XXXX
.NET/.COM

GENERAL CONTRACTOR:
N/A
p.XXX-XXX-XXXX
m.XXX-XXX-XXXX
N/A

PROJECT MANAGER FOR CUSTOMER:
KERRY NILSON
p.XXX
KERRY.NILSON@VA.GOV

IT
TROY MERGEN
p. XXX
TROY.MERGEN@VA.GOV

INFECTIOUS DISEASE
ERIN HEWER
p.XXX
ERIN.HEWER@VA.GOV

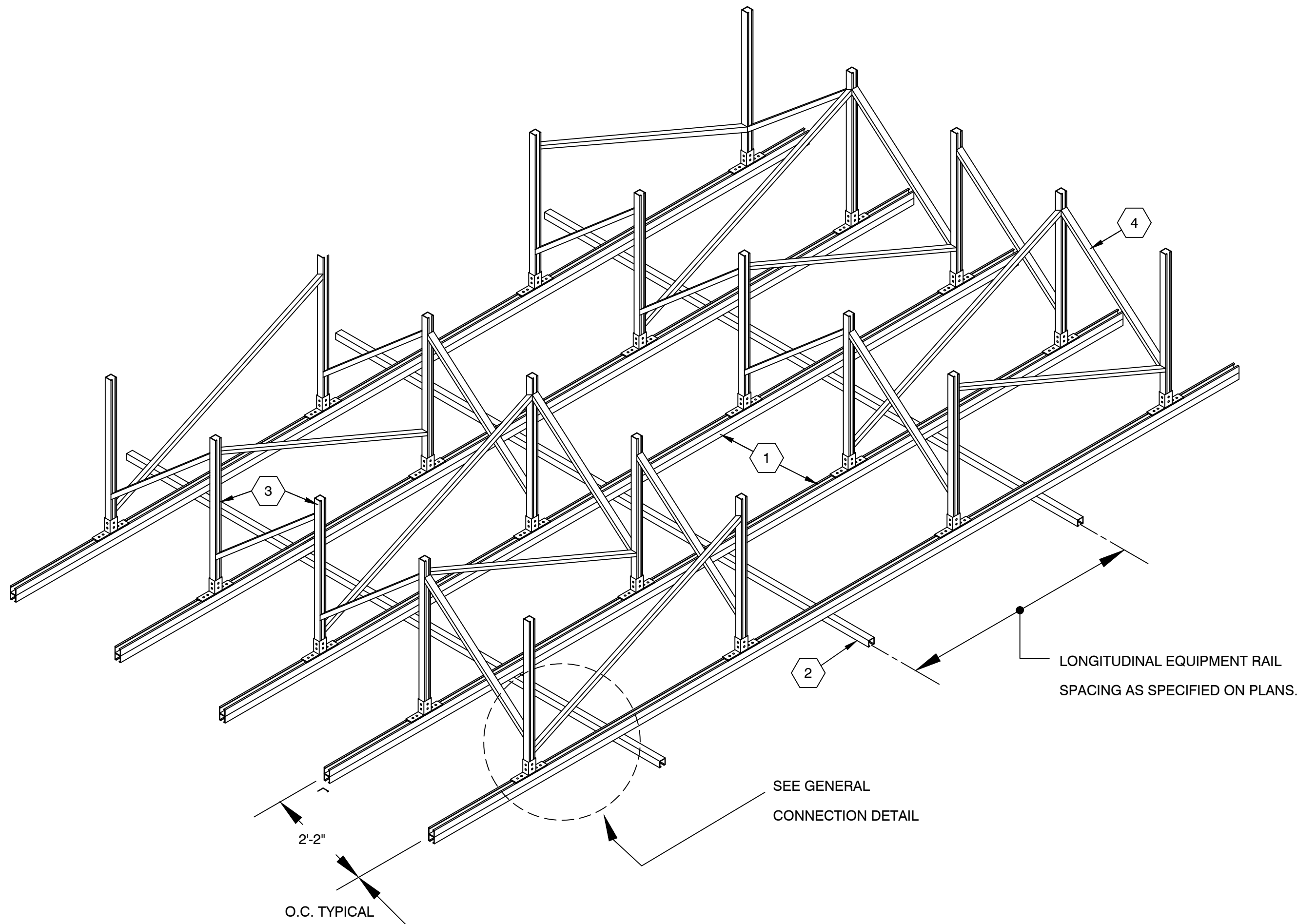
REVISION:	DATE:

DRAWN BY:	GENE N.
CHK'D BY:	A.W.
CUSTOMER :	
SCALE:	NOTED
DATE:	6/16/2017 10:43:52 AM

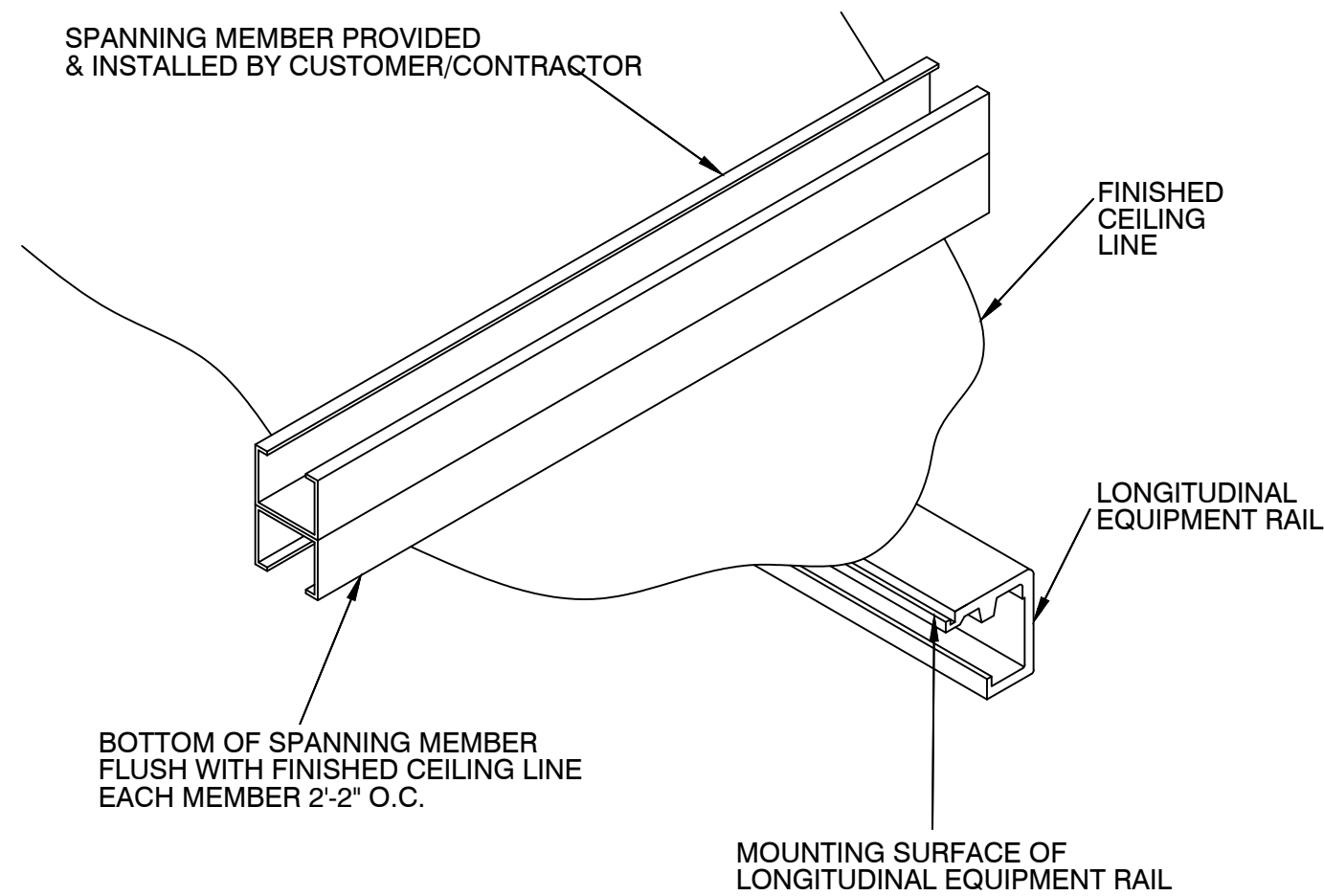
FILE NAME:
Sioux Falls F1 06-16-2017.dwg

DRAWING SHEET #

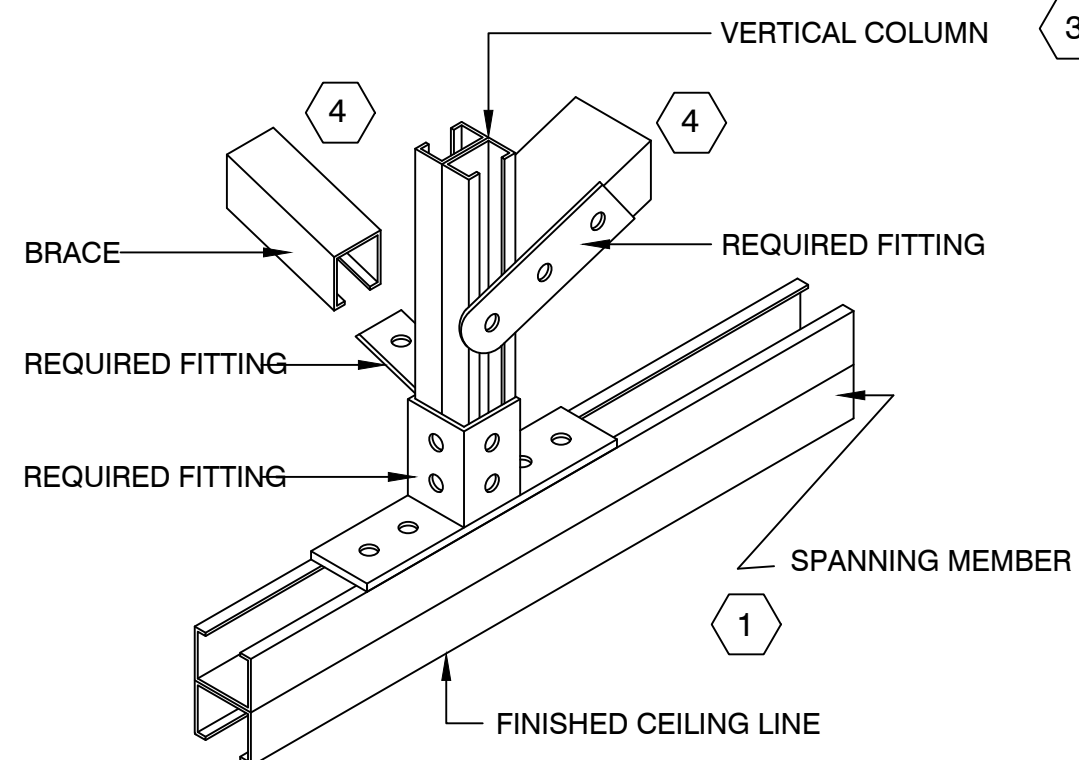
S2



SCHMATIC / ISOMETRIC - SUSPENSION STRUCTURE
NO SCALE



GENERAL CEILING DETAIL
NO SCALE



GENERAL CONNECTION DETAIL
NO SCALE

STRUT CHANNEL SUPPORT FRAME NOTES

RECOMMENDED UNIVERSAL STEEL STRUT CHANNEL SUPPORT FRAME.

ALLOWS FOR TRANSVERSE AND LONGITUDINAL ADJUSTMENT AT TIME OF EQUIPMENT INSTALLATION. DETERMINATION OF THE ACTUAL DESIGN SHALL BE COORDINATED AND APPROVED BY THE ENGINEER OF RECORD. ALL STEEL STRUT MEMBERS SHALL BE PROVIDED AND INSTALLED BY CUSTOMER / THEIR CONTRACTOR.

- 1 SPANNING MEMBERS: STEEL CHANNEL STRUT FLUSH WITH FINISHED CEILING. SPACED AS INDICATED ON SHEET "S1"
- 2 LONGITUDINAL EQUIPMENT RAILS: FASTENED TO UNDERSIDE OF SPANNING MEMBERS.
- 3 COLUMNS: STEEL CHANNEL STRUT ATTACHED TO SPANNING MEMBERS AS SHOWN ON GENERAL CEILING DETAIL. NUMBER AND LOCATION OF VERTICAL COLUMNS SHALL VARY DEPENDING ON BUILDING CONSTRUCTION.
- 4 BRACES: STEEL CHANNEL STRUT ATTACHED TO VERTICAL COLUMNS AS SHOWN ON DETAIL.

THE ATTACHED DRAWINGS ARE FOR LAYOUT PURPOSES AND GENERAL MEANS OF FABRICATION. THE CUSTOMER'S ENGINEER OF RECORD OR AGENT SHALL PREPARE CONSTRUCTION DOCUMENTS.

THESE DRAWINGS INDICATE PLACEMENT OF THE PURCHASED EQUIPMENT, AS WELL AS DESCRIBE THE STRUCTURAL REQUIREMENTS FOR THAT EQUIPMENT. RADSOURCE WILL NOT BE RESPONSIBLE FOR OTHER DESIGNS AND CONSTRUCTION.

EVERY EFFORT HAS BEEN MADE TO ASSURE THAT THE EQUIPMENT DEPICTED ON THE ATTACHED RECOMMENDED LAYOUT, CONFIGURES THE LAYOUT PLAN TO ALLOW OPTIMUM OPERATION OF THE EQUIPMENT. THE CUSTOMER'S ENGINEER OF RECORD AND / OR AGENT SHALL BEAR SOLE RESPONSIBILITY FOR COMPLIANCE WITH APPLICABLE CODES ..

N/A SHALL PROVIDE AND INSTALL ALL MATERIALS ALONG WITH ANY OTHER FEATURES CALLED OUT IN THE PLANS.

THE CONTRACTOR N/A IS RESPONSIBLE FOR ANY FINAL PAINT OR TOUCH-UP WORK WHICH SHALL BE COMPLETED AFTER THE INSTALLATION OF THE PURCHASED SYSTEM.

EXISTING SERVICES THAT WILL NOT BE USED (PLUMBING, JUNCTION BOXES, FLOOR DRAINS ETC.) MUST BE CAPPED OR COVERED PRIOR TO COMMENCEMENT OF EQUIPMENT INSTALLATION.

MINIMUM CEILING HEIGHT: MIN 9'-4" / MAX 9'-6.0"

GENE NOWACZYK
MEP
SITE PLANNING &
PROJECT DEVELOPMENT

OFFICE: 816-741-5558
CELL: 816-223-6378
FAX: 816-587-2423
EMAIL: GNOWACZYK@RADSOURCE.NET
8121 N.W. 97TH TERR
KANSAS CITY, MISSOURI 64153

PROJECT

SAMSUNG GC85
SIoux FALLS VA MEDICAL CENTER

2501 WEST 22ND ST, SIoux FALLS, SD, 57105

ARCHITECT:
N/A
p.N/A
N/A

ELECTRICAL CONTRACTOR:
XXX
p.XXX-XXX-XXXX
m.XXX-XXX-XXXX
.NET/.COM

GENERAL CONTRACTOR:
N/A
p.XXX-XXX-XXXX
m.XXX-XXX-XXXX
N/A

PROJECT MANAGER FOR CUSTOMER:
KERRY NILSON
p.XXX
KERRY.NILSON@VA.GOV

IT
TROY MERGEN
p. XXX
TROY.MERGEN@VA.GOV

INFECTIOUS DISEASE
ERIN HEWER
p.XXX
ERIN.HEWER@VA.GOV

REVISION:	DATE:

DRAWN BY:	GENE N.
CHK'D BY:	A.W.
CUSTOMER :	
SCALE:	NOTED
DATE:	6/16/2017 10:43:52 AM

FILE NAME:
Sioux Falls F1 06-16-2017.dwg

DRAWING SHEET #

S2