

**Robert J. Dole VA Medical Center
Site Preparation for Gamma
Camera Installation, B19
Wichita, KS**

Plumbing Cut Sheets

Prepared for:
GLMV Architecture
Wichita, KS

PEC Project No.:
171134-000

Date:
03/28/2018
100% Construction Documents



PROFESSIONAL ENGINEERING CONSULTANTS, P.A.

303 SOUTH TOPEKA WICHITA, KS 67202 316-262-2691 www.pec1.com



BARRIER FREE

HURON UNIVERSAL BOWL WITH EVERCLEAN®
VITREOUS CHINA

HURON UNIVERSAL BOWL WITH EVERCLEAN®

- Floor mount rear outlet elongated flushometer toilet with angle back and base
- Vitreous china
- Space-saving 24-7/8" from wall to front of bowl
- 17-1/8" rim height for accessibility
- High Efficiency, Low Consumption. Operates in the range of 1.28 gpf to 1.6 gpf (4.8 Lpf to 6.0 Lpf)
- Permanent EverClean surface inhibits the growth of stain- and odor-causing bacteria, mold and mildew on the surface
- Siphon jet flush action
- Fully glazed 2" trapway
- 12" x 10" water surface area
- 1-1/2" inlet spud
- 4 bolt caps

- 3312.001** Elongated bowl only, top spud, wall outlet
- 3313.001** Elongated bowl only, top spud, wall outlet, with bed pan lugs

Nominal Dimensions:

632 x 349 x 435mm
(24-7/8" x 13-3/4" x 17-1/8")

Recommended working pressure – between 30 psi at valve when flushing and 80 psi static

Fixture only, less seat and flushometer valve

Compliance Certifications -

Meets or Exceeds the Following Specifications:

- ASME A112.19.2-2008 / CSA B45.1-08 for Vitreous China Fixtures



SEE REVERSE FOR ROUGHING-IN DIMENSIONS

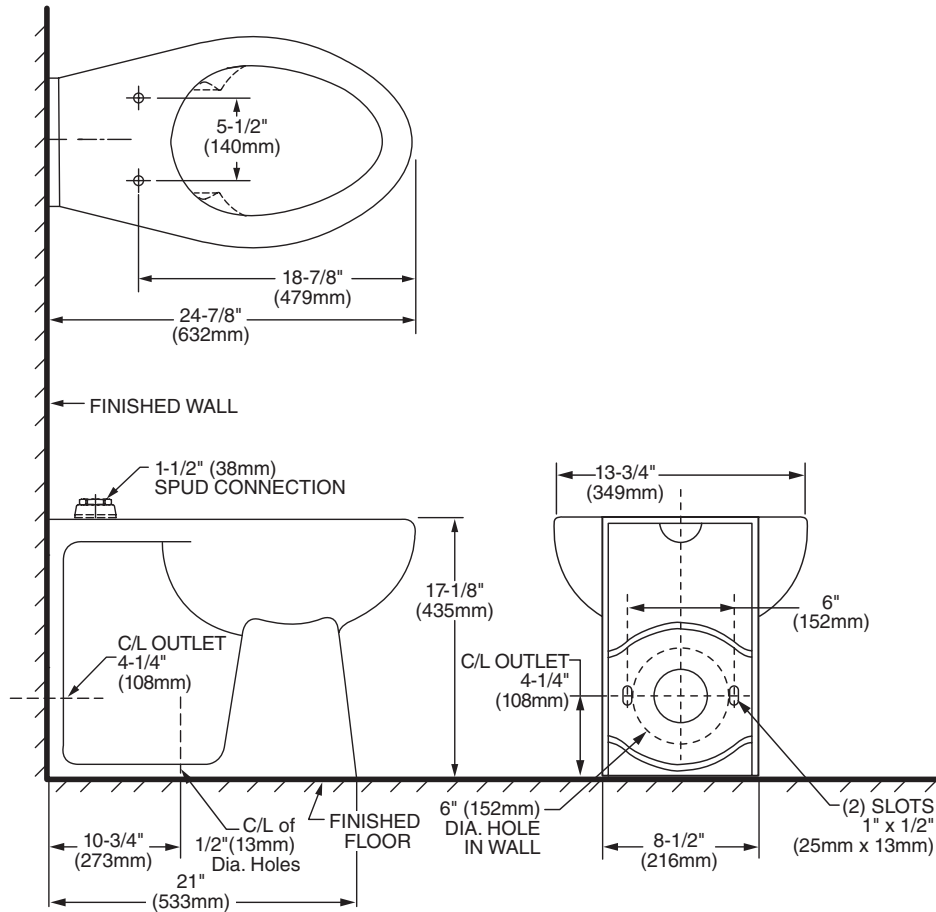
To Be Specified:

- Color: White
- Seat:
 - American Standard #5901.100 Heavy duty open front less cover
 - American Standard #5905.100 Extra heavy duty open front less cover
- Flushometer Valve:
 - 1.6 gpf:
 - Sensor-Operated: American Standard Selectronic® DC Power #6065.161.002 (Top Spud)
 - Manual: American Standard #6047.161.002 (Top Spud)
 - 1.28 gpf:
 - Sensor-Operated: American Standard Selectronic® DC Power #6065.121.002 (Top Spud)
 - Manual: American Standard #6047.121.002 (Top Spud)

MEETS THE AMERICANS WITH DISABILITIES ACT GUIDELINES AND ANSI A117.1 REQUIREMENTS FOR ACCESSIBLE AND USABLE BUILDING FACILITIES - CHECK LOCAL CODES.

EVERCLEAN®
Surface





NOTES:

* VARIABLE — CHECK WITH MANUFACTURER OF FLUSHVALVE FOR PROPER ROUGH-IN DIMENSIONS.
WASTE OUTLET SEAL RING MUST BE NEOPRENE OR GRAPHITE-FELT (WAX RING NOT RECOMMENDED).
 TO COMPLY WITH AREA CODE GOVERNING THE HEIGHT OF VACUUM BREAKER ON FLUSH VALVE, THE
 PLUMBER MUST VERIFY DIMENSIONS SHOWN FOR SUPPLY ROUGHING.
 FLUSH VALVE NOT INCLUDED AND MUST BE ORDERED SEPARATELY.

IMPORTANT: Dimensions of fixtures are nominal and may vary within the range of tolerances established by ANSI Standard A112.19.2. These measurements are subject to change or cancellation. No responsibility is assumed for use of superseded or voided pages.

► **Code Number**
3729700

► **Description**
Exposed Bedpan Washer Water Closet Flushometer with Dual Flush Feature, for floor mounted or wall hung top spud bowls.

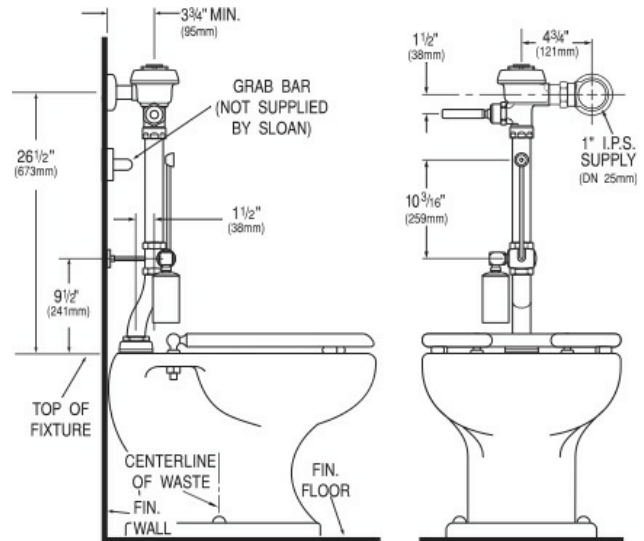
► **Flush Cycle**
1.6 gpf / 6.0 Lpf / 1.1 gpf / 4.2 Lpf

► **Specifications**
Quiet, Exposed, Diaphragm Type, Chrome Plated Closet Flushometer with the following features:

- Pushing Handle DOWN initiates full flush (1.6 gpf/6.0 Lpf), eliminating all waste
- Reduces water volume by up to 30% when activated UPWARDS
- Antimicrobial Coating on Handle Protects Handle Against Germs
- Metal Non-Hold-Open Handle with Triple Seal Handle Packing
- 1" I.P.S. Screwdriver Bak-Chek® Angle Stop with Vandal Resistant Stop Cap
- Vacuum Breaker with Flush Connection
- Spud Coupling and Spud Flange for 1 1/2" Top Spud
- Sweat Solder Adapter with Cover Tube and Cast Wall Flange
- Non-Hold-Open Handle and No External Volume Adjustment to Ensure Water Conservation
- Stop Seat and Vacuum Breaker molded from PERMEX® Rubber Compound for Chloramine Resistance
- Includes two (2) adhesive backed Metal Wall Plates etched with Instructions

Bedpan Washer Diverter Assembly with the following features:

- Solid One-piece Body Construction
- Solid Brass Spray Arm
- Counter Balanced Pivot Assembly and Diverter Valve Wall Support
- 1 1/2" Offset Flush Tube
- Flush accuracy controlled by CID® technology
- Valve Body, Cover, Tailpiece and Control Stop shall be in conformance with ASTM Alloy Classification for Semi-Red Brass. Valve shall be in compliance with the applicable sections of ASSE 1037 and ANSI/ASME 112.19.2.
- Infrared Sensor with Multiple-focused, Lobular Sensing Fields for high and low target detection



► **Compliance & Certifications**



Made In The
USA



HET
HIGH-EFFICIENCY TOILET

This space for Architect/Engineer Approval

Features

- With hanger.
- With overflow.
- 4" (102 mm) centers.
- 21-1/4" (540 mm) x 18-1/8" (460 mm).

Material

- Vitreous china.

Installation

- Wall-mount

Recommended Accessories

K-8998 P-Trap

Components

Additional included component/s: Hanger.



ADA

CSA B651

OBC

Codes/Standards

ASME A112.19.2/CSA B45.1

ADA

ICC/ANSI A117.1

CSA B651





OBC

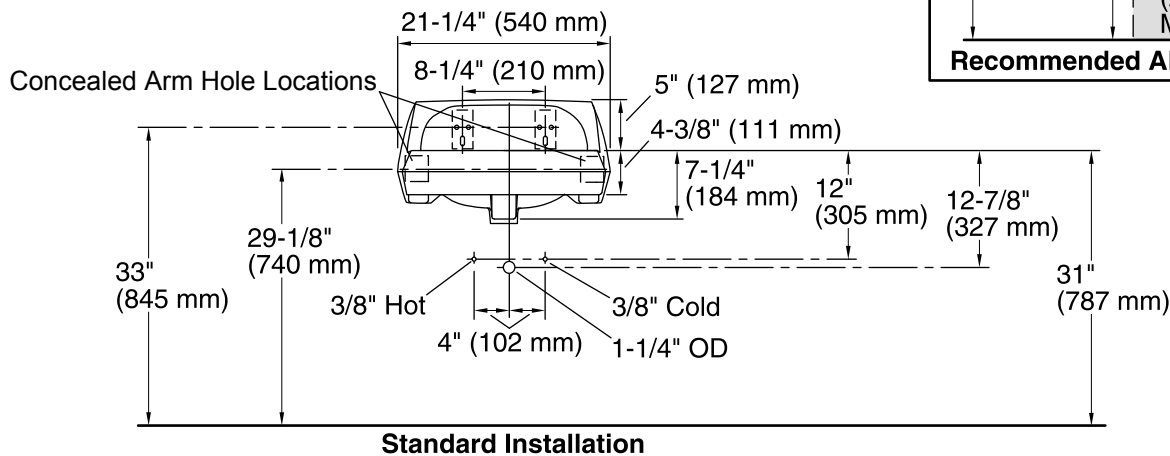
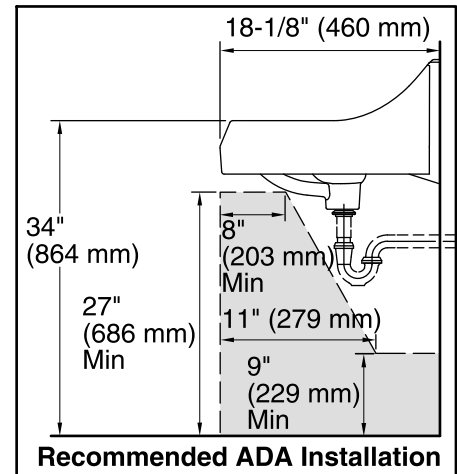
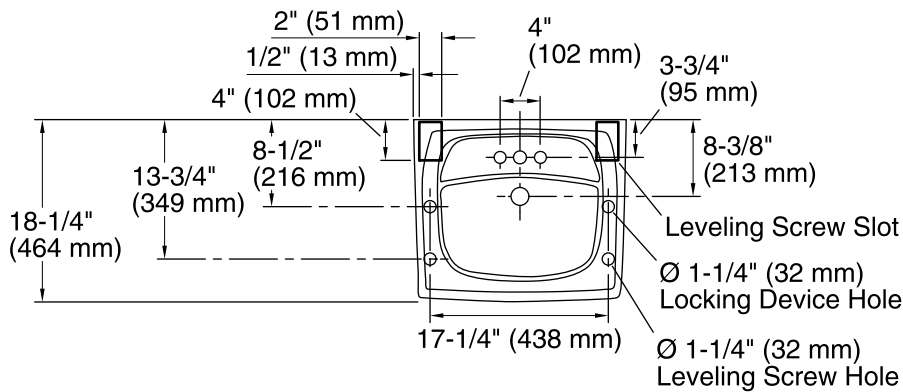
KOHLER® One-Year Limited Warranty

See website for detailed warranty information.

Available Color/Finishes

Color tiles intended for reference only.

Color	Code	Description
	0	White
	96	Biscuit
	47	Almond
	7	Black Black™



Technical Information

All product dimensions are nominal.

Bowl configuration:	Single
Installation:	Wall-mount
Bowl area (Only)	Length: 16" (406 mm) Width: 10" (254 mm) With overflow: Yes Water depth: 3-1/8" (79 mm)
Bowl area	With overflow: Yes
Number of deck holes:	3
Soap/Lotion hole:	1-1/4" (32 mm)
Drain hole:	1-3/4" (44 mm)

Notes

Install this product according to the installation instructions.

ADA, OBC, CSA B651 compliant when installed to the specific requirements of these regulations.

MECHANICAL FAUCETS

895-317FCXKABCP

Manual Faucets



Product Type

Deck Mounted 4" Fixed Centers Hot and Cold Water Sink Faucet

Features & Specifications

- 4" Fixed Centers
- 3-1/2" Flow Control Rigid / Swing Gooseneck Spout
- 4" Vandal Proof Wristblade Handle
- Ceramic 1/4 Turn Operating Cartridge
- 1/2" NPSM Supply Inlets and Coupling Nut for 3/8" or 1/2" Flexible Riser
- 1.5 GPM (5.7 L/min) Laminar Flow Control Insert in Spout Inlet
- ECAST® design provides durable construction with total lead content equal to or less than 0.25% by weighted average
- CFNow! Item Ships in 3 Days

Performance Specification

- Rated Operating Pressure: 20-125 PSI
- Rated Operating Temperature: 40-140°F

Warranty

- Lifetime Limited Faucet Warranty
- 5-Year Limited Cartridge Warranty
- 1-Year Limited Finish Warranty

Codes & Standards

- ASME A112.18.1/CSA B125.1
- Certified to NSF/ANSI 61, Section 9 by CSA
- California Health and Safety Code 116875 (AB1953-2006)
- Vermont Bill S.152
- NSF/ANSI 372 Low Lead Content
- ADA ANSI/ICC A117.1
- CALGreen

Job Name _____

Item Number _____

Section/Tag _____

Model Specified _____

Architect _____

Engineer _____

Contractor _____

Submitted as Shown Submitted with Variations

Date _____



ECAST

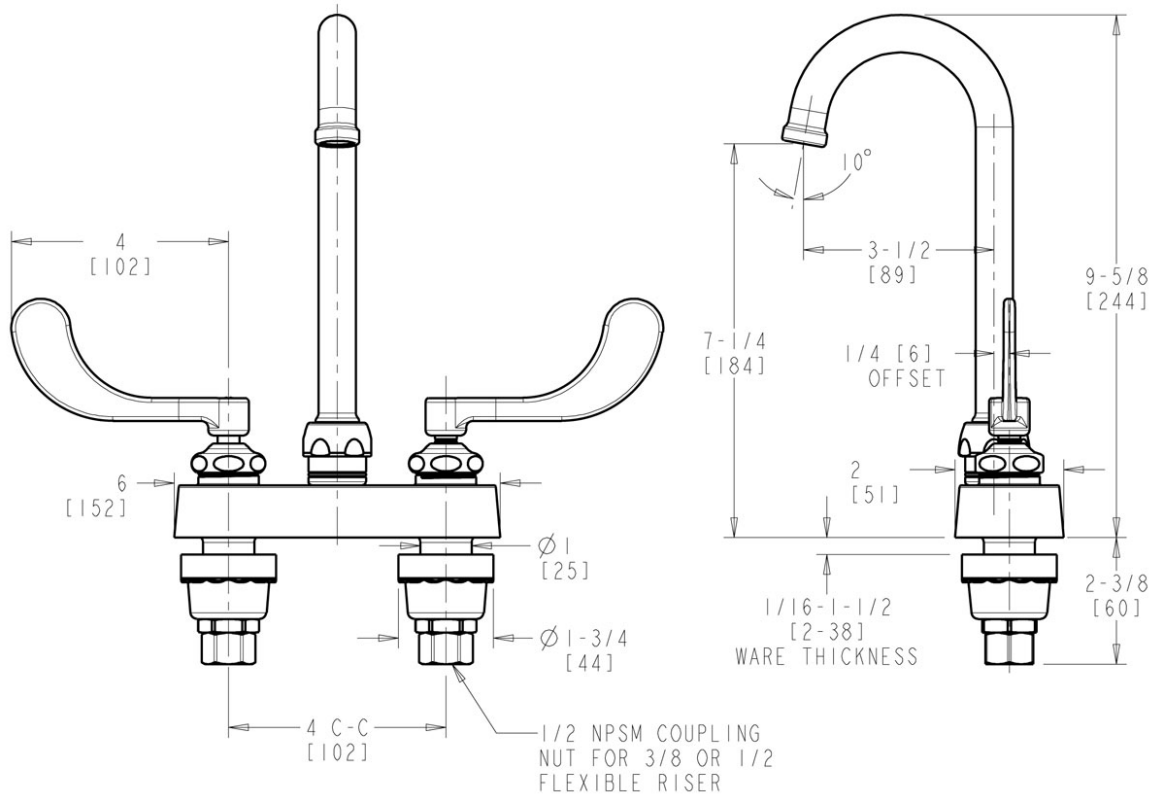
ECAST products are intended for installation where state laws and local codes mandate lead content levels or in any location where lead content is a concern.



2100 South Clearwater Drive
Des Plaines, IL
P: 847/803-5000
F: 847/803-5454
Technical: 800/TEC-TRUE
www.chicagofaucets.com

Architect/Engineer Specification

Chicago Faucets No. 895-317FCXKABCP, Sink Faucet for hot and cold water, deck-mounted with 4" fixed centers, chrome plated. Rigid/swing gooseneck spout with flow control, 3-1/2" center-to-center. 1.5 GPM (5.7 L/min) laminar flow control insert in spout inlet. 4" metal, vandal-proof, wristblade handles with sixteen-point, tapered broach and secured blue and red index buttons. Ceramic quarter-turn cartridge, features square, tapered stem. 1/2" NPSM supply inlets and coupling nut for 3/8" or 1/2" flexible riser. ECAST® construction with less than 0.25% lead content by weighted average. CALGreen compliant. This product meets ADA ANSI/ICC A117.1 requirements and is tested and certified to industry standards: ASME A112.18.1/CSA B125.1, Certified to NSF/ANSI 61, Section 9 by CSA, California Health and Safety Code 116875 (AB1953-2006), Vermont Bill S.152, NSF/ANSI 372 Low Lead Content, and California Green Building Standards Code (CALGreen).



Operation and Maintenance

Installation should be in accordance with local plumbing codes. Flush all pipes thoroughly before installation. After installation, remove spout outlet or flow control and flush faucet thoroughly to clear any debris. Care should be taken when cleaning the product. Do not use abrasive cleaners, chemicals or solvents as they can result in surface damage. Use mild soap and warm water for cleaning and protecting the life of Chicago Faucet products. For specific operation and maintenance refer to the installation instructions and repair parts documents that are located at www.chicagofaucets.com.

Chicago Faucets, member of the Geberit Group, is the leading brand of commercial faucets and fittings in the United States, offering a complete range of products for schools, laboratories, hospitals, office buildings, food service, airports and sport facilities. Call 1.800.TECTRUE or 1.847.803.5000 Option 1 for installation or other technical assistance.

