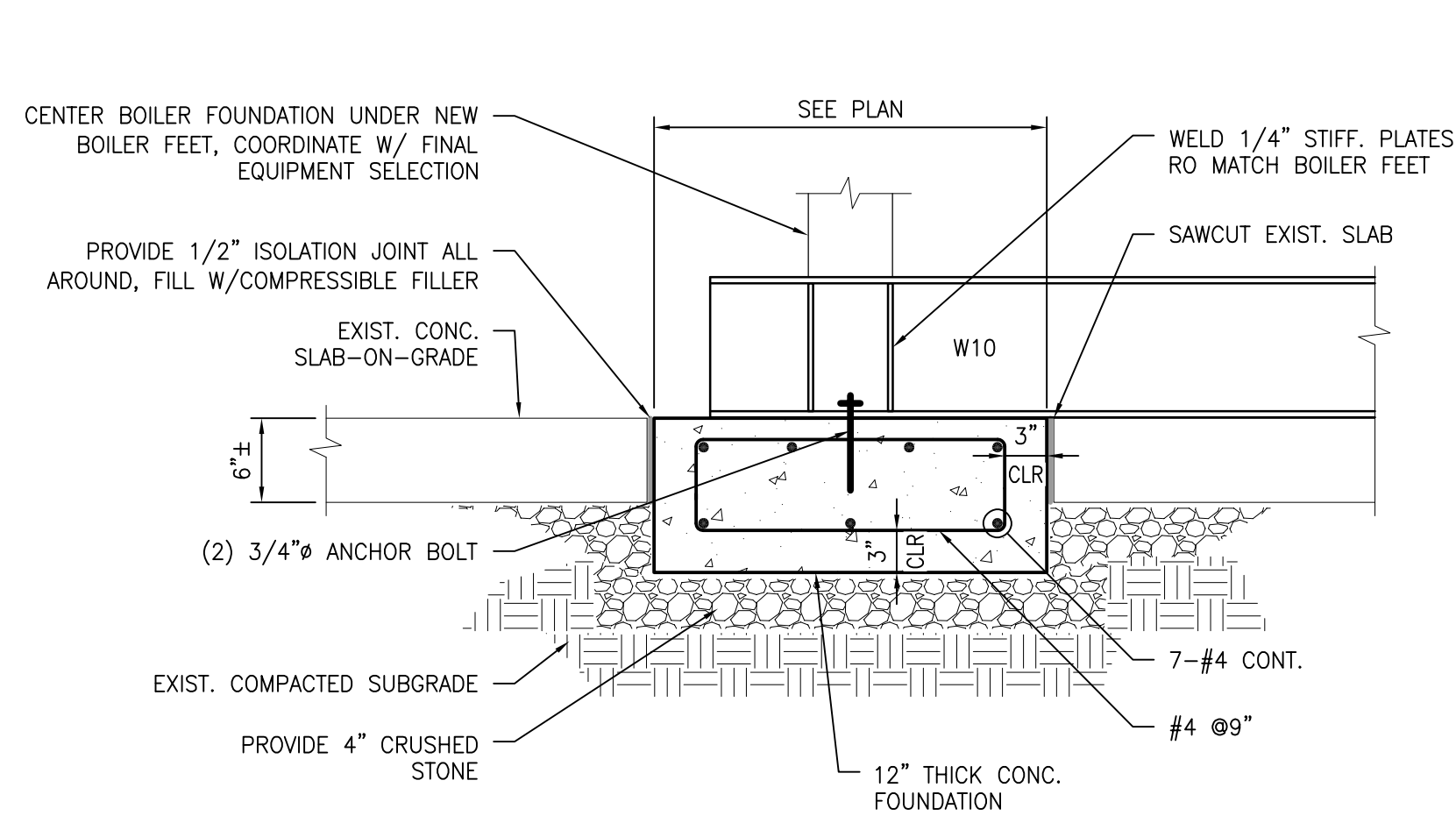
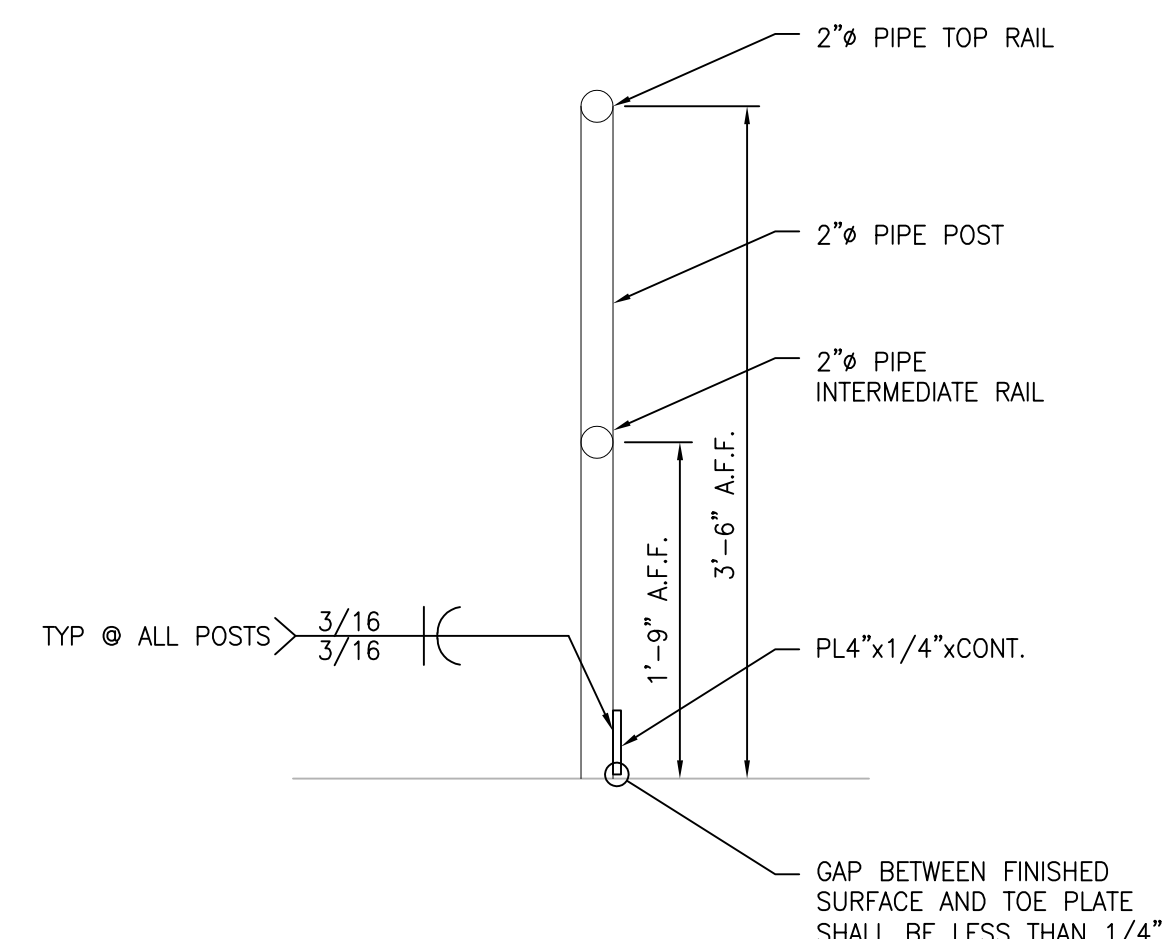


**GENERAL SHEET NOTES:**

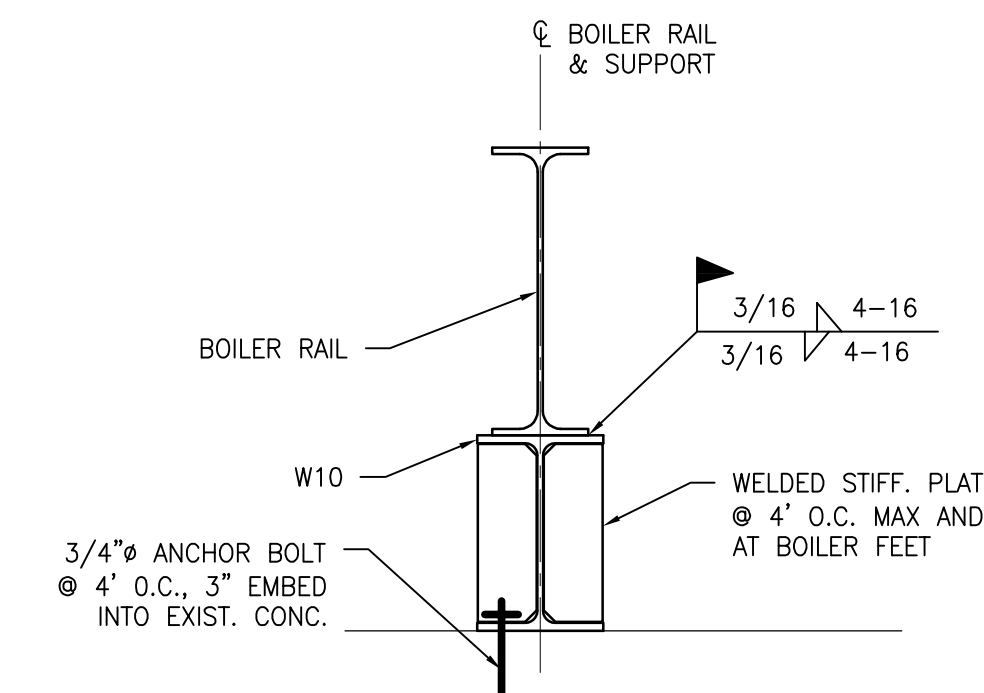
1. FOR GENERAL STRUCTURAL NOTES SEE DRAWING S-001.



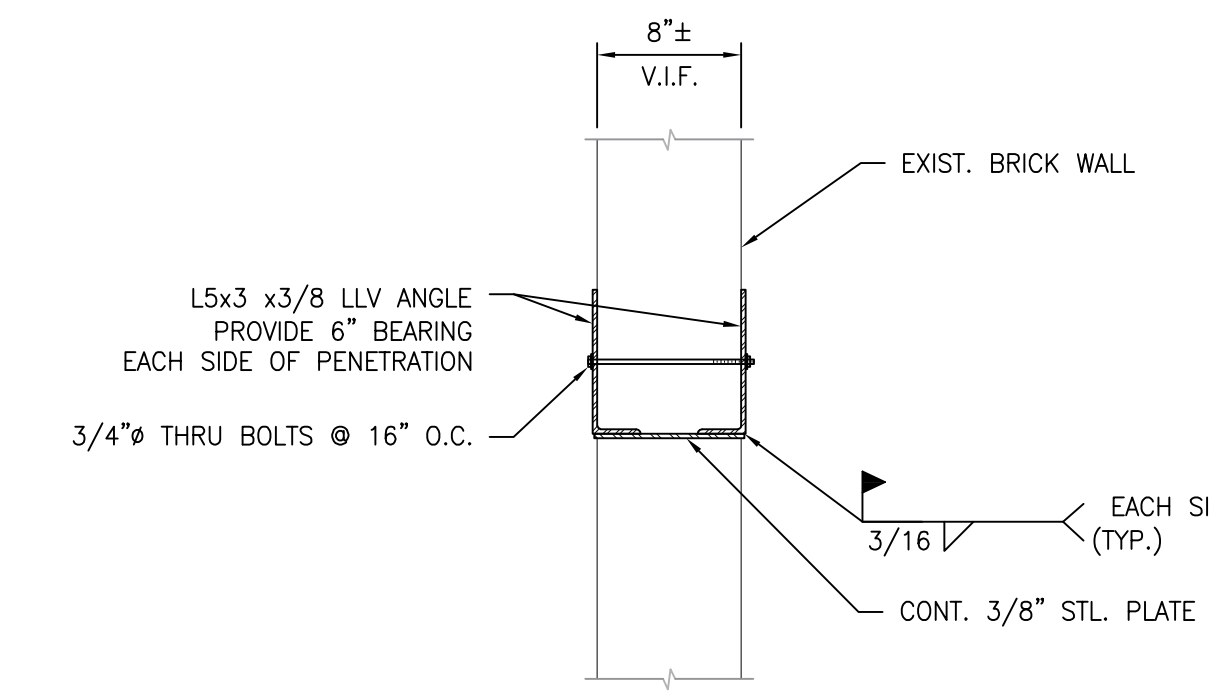
**1 BOILER FOUNDATION DETAIL**  
SCALE: 1"=1'-0"



**2 TYPICAL RAILING DETAIL**  
SCALE: 1"=1'-0"

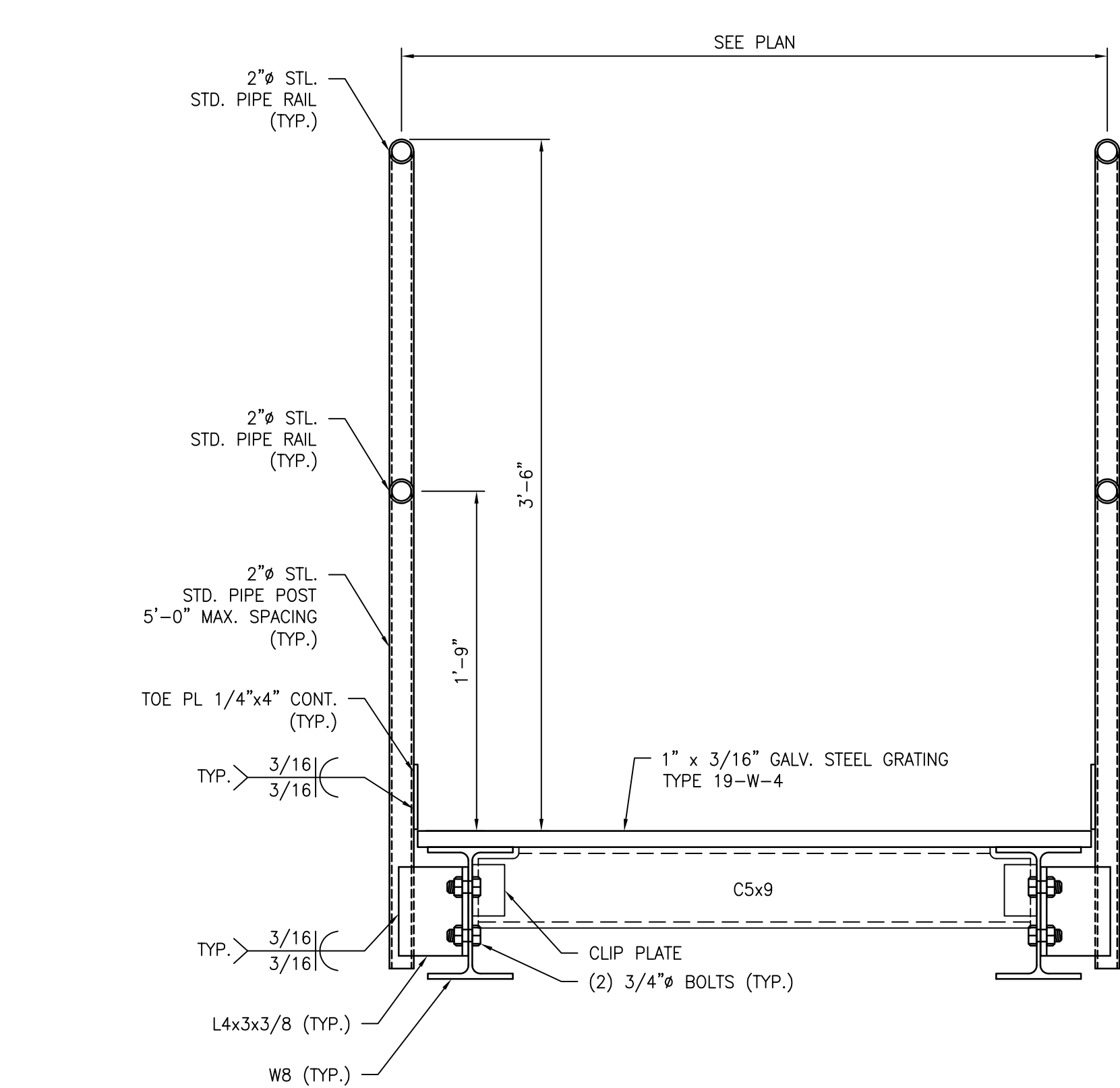


**4 DETAIL**  
SCALE: 1"=1'-0"

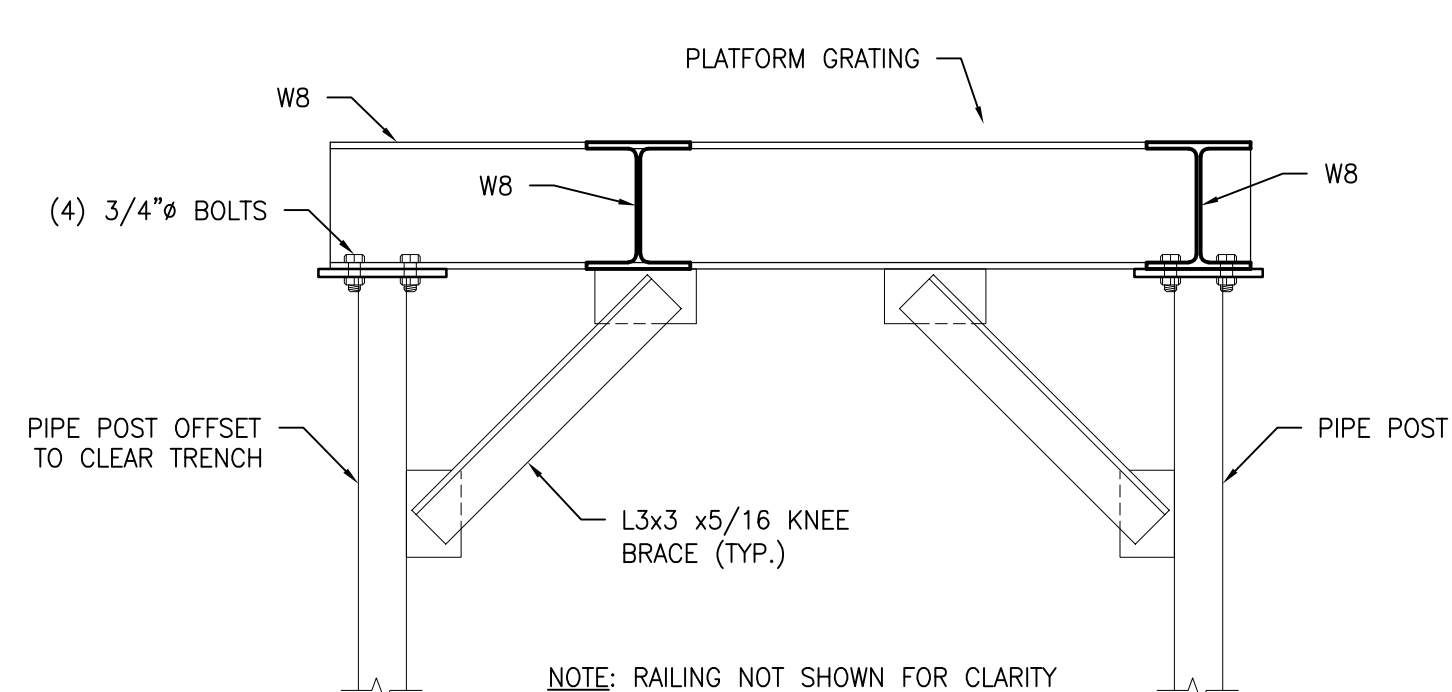


**5 PENETRATION STRUCTURAL DETAIL**  
SCALE: 3/4"=1'-0"

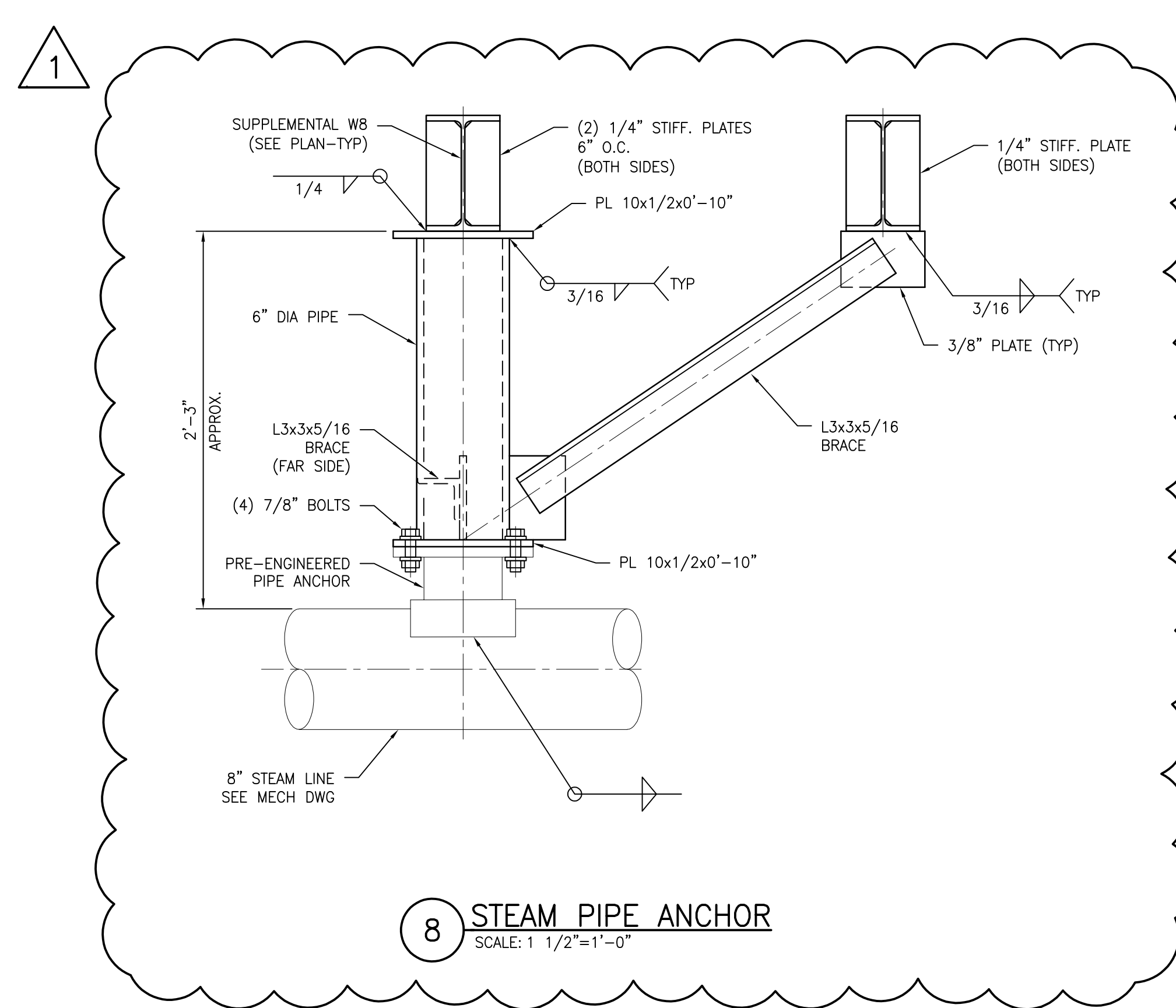
**DEMOLITION SEQUENCE:**  
1. SAW CUT AND INSTALL ANGLE ON ONE FACE OF WALL AT A TIME.  
2. SAW CUT EXISTING WALL FACE BY THE DEPTH AND WIDTH OF ANGLE TOES TO ALLOW FOR FLUSH INSTALLATION AS SHOWN.  
3. DRILL BOLT HOLES IN EXISTING WALL AND BOLT ANGLES AS SHOWN.  
4. SELECTIVELY DEMOLISH THE WALL BELOW.  
5. FIELD WELD 3/8" STEEL PLATE.



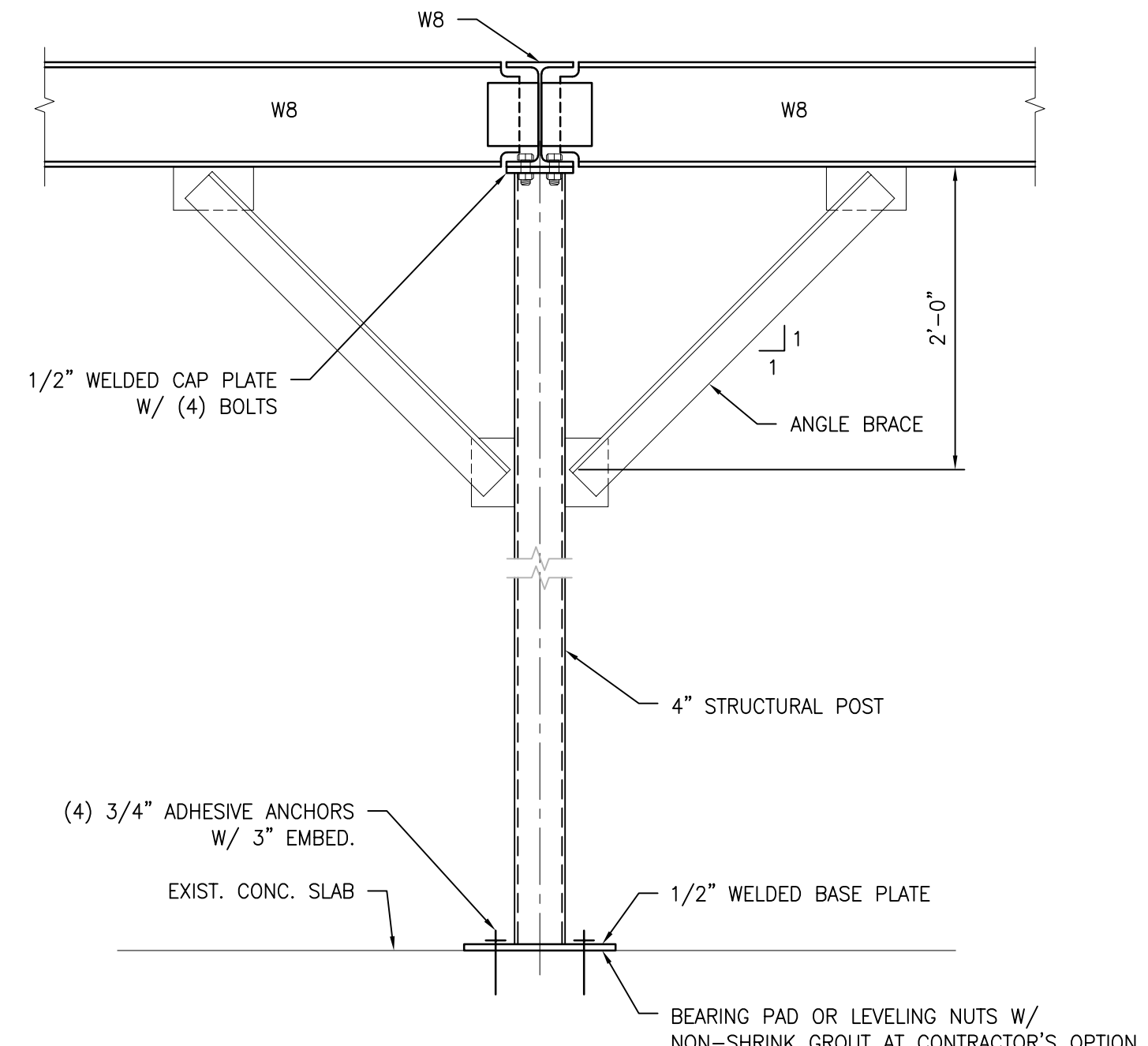
**6 DETAIL**  
SCALE: 1 1/2"=1'-0"



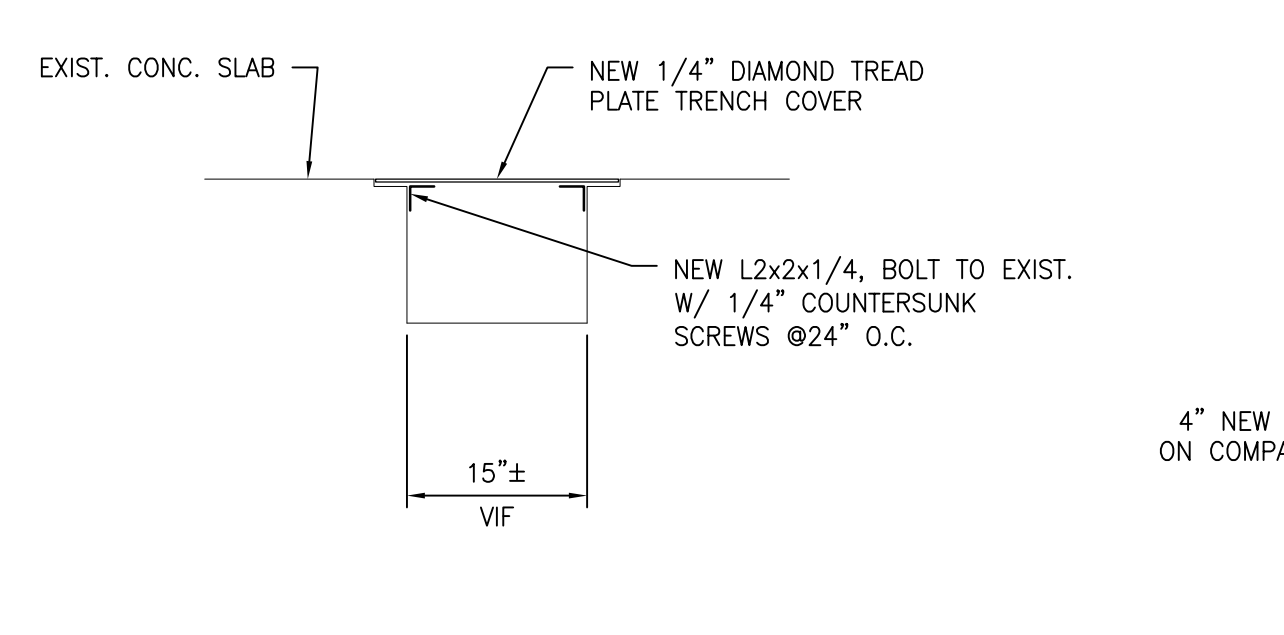
**7 PLATFORM SECTION**  
SCALE: 1"=1'-0"



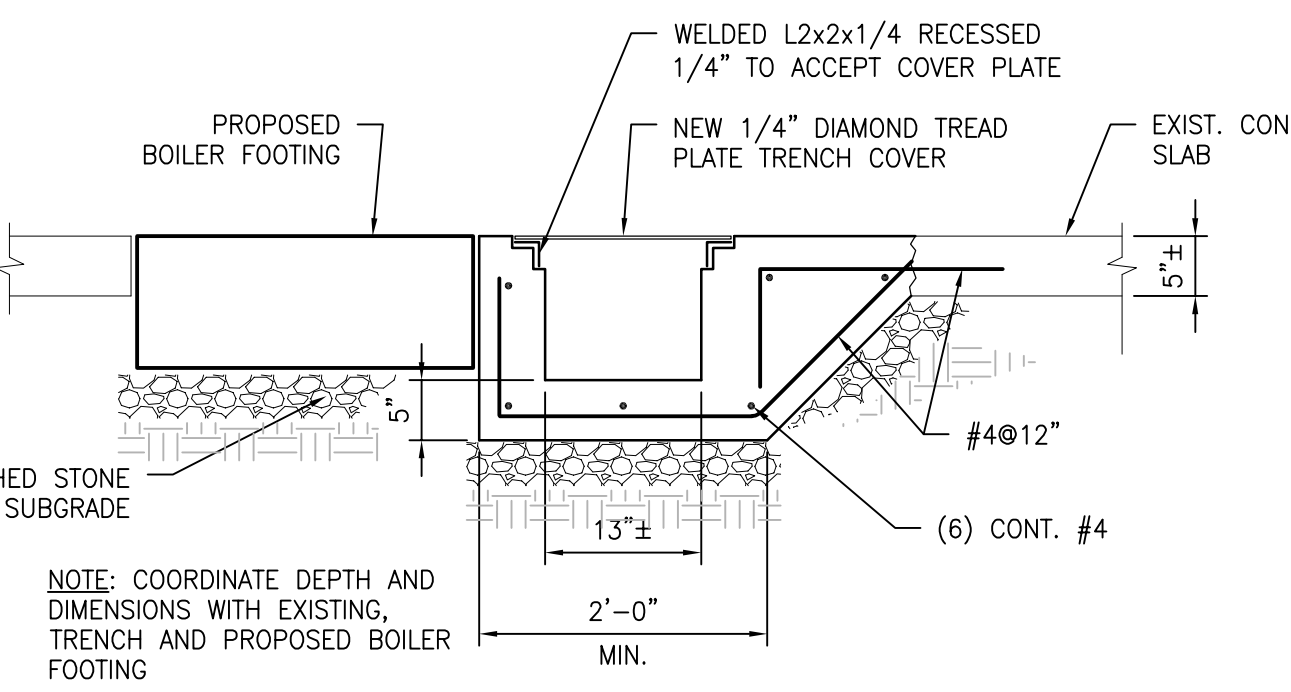
**8 STEAM PIPE ANCHOR**  
SCALE: 1 1/2"=1'-0"



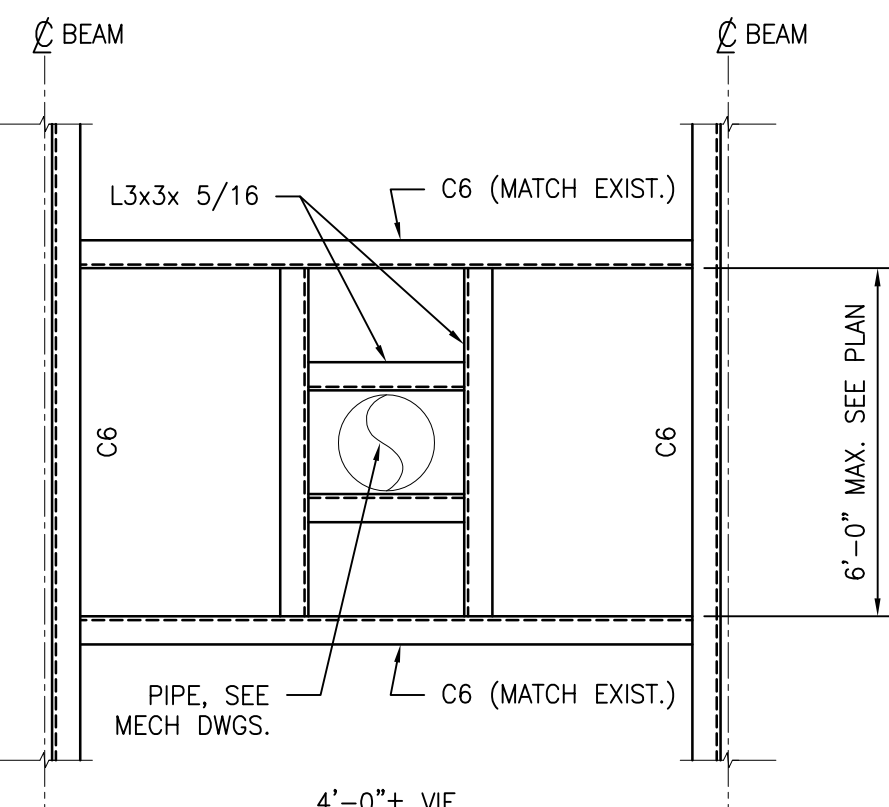
**9 TYPICAL PLATFORM POST DETAIL**  
SCALE: 1"=1'-0"



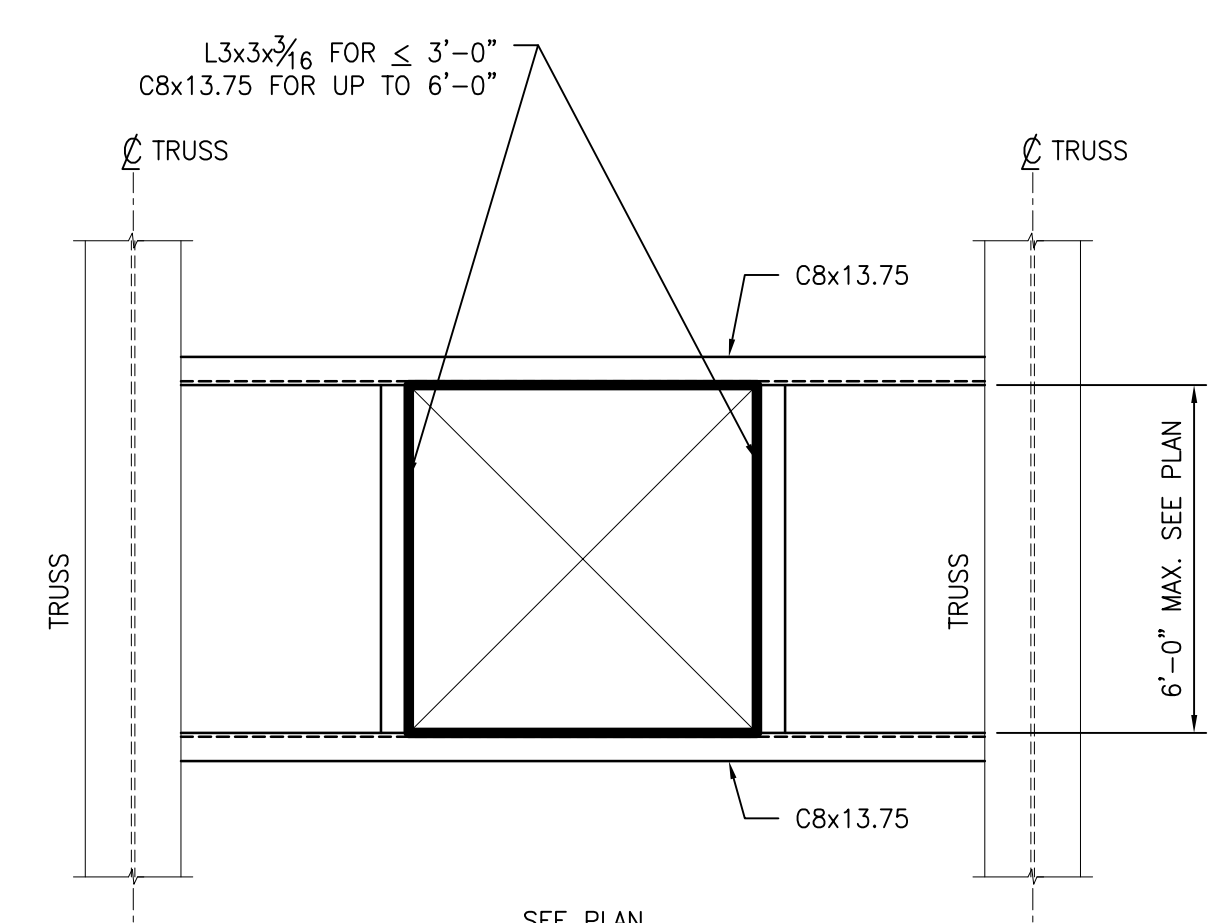
**10 NEW TRENCH COVER DETAIL**  
SCALE: 3/4"=1'-0"



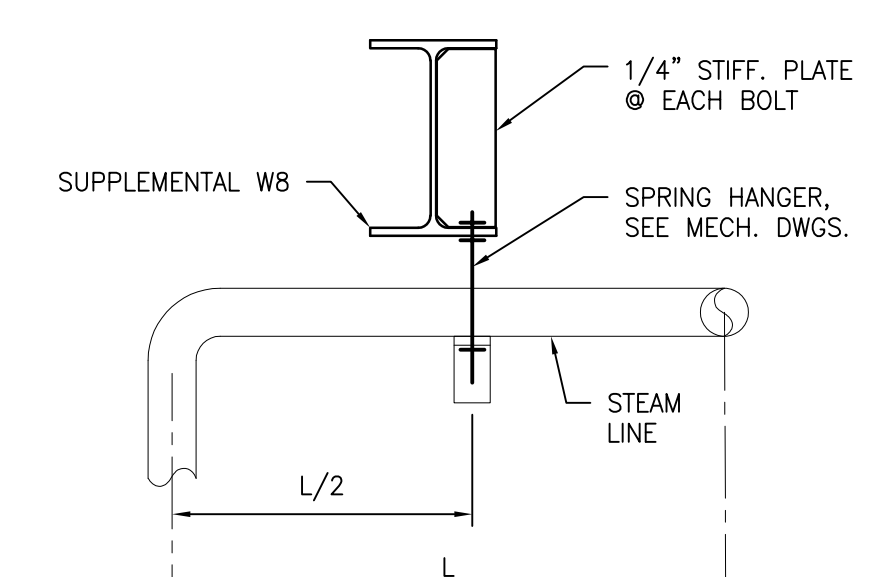
**11 NEW TRENCH DETAIL**  
SCALE: 3/4"=1'-0"



**12 TYPICAL PLATFORM PENETRATION DETAIL**  
SCALE: 3/4"=1'-0"



**13 TYPICAL ROOF OPENING DETAIL**  
SCALE: 3/4"=1'-0"



**14 MEP SUPPORT DETAIL**  
SCALE: 1 1/2"=1'-0"

**CONSTRUCTION BID DOCUMENTS**

PRINTS OF THIS DRAWING SHALL NOT BE USED FOR ANY PURPOSE WHATSOEVER WITHOUT THE SEAL AND SIGNATURE OF THE PROFESSIONAL ENGINEER.		
NO.	ADDED PIPE ANCHOR DETAIL	7/13/18
1	ADDED PIPE ANCHOR DETAIL	7/13/18
NO.	DESCRIPTION	DATE

<b>CONSULTANTS:</b>	

MILLER-REMICK, LLC  
PROFESSIONAL ENGINEER

**Miller-Remick LLC**  
M.E.P. & Structural Engineering  
A Service Disabled Veteran Owned Small Business  
1010 KINGS HIGHWAY SOUTH  
CHERRY HILL, NEW JERSEY 08034  
PHONE: (856)429-4000  
FAX: (856)429-5002  
MR PROJECT NO: 0509-0002

Drawing Title  
**STRUCTURAL SECTIONS AND DETAILS**  
Approved: Project Director

Project Title  
**REPLACE BOILERS VAMC, MARION, IL**  
Location  
2401 MAIN ST, MARION, IL 62959  
Date  
03-23-2018

Project Number  
657A5-17-107  
Building Number  
14  
Drawing Number  
**S-501**

Office of Construction and Facilities Management  
Department of Veterans Affairs