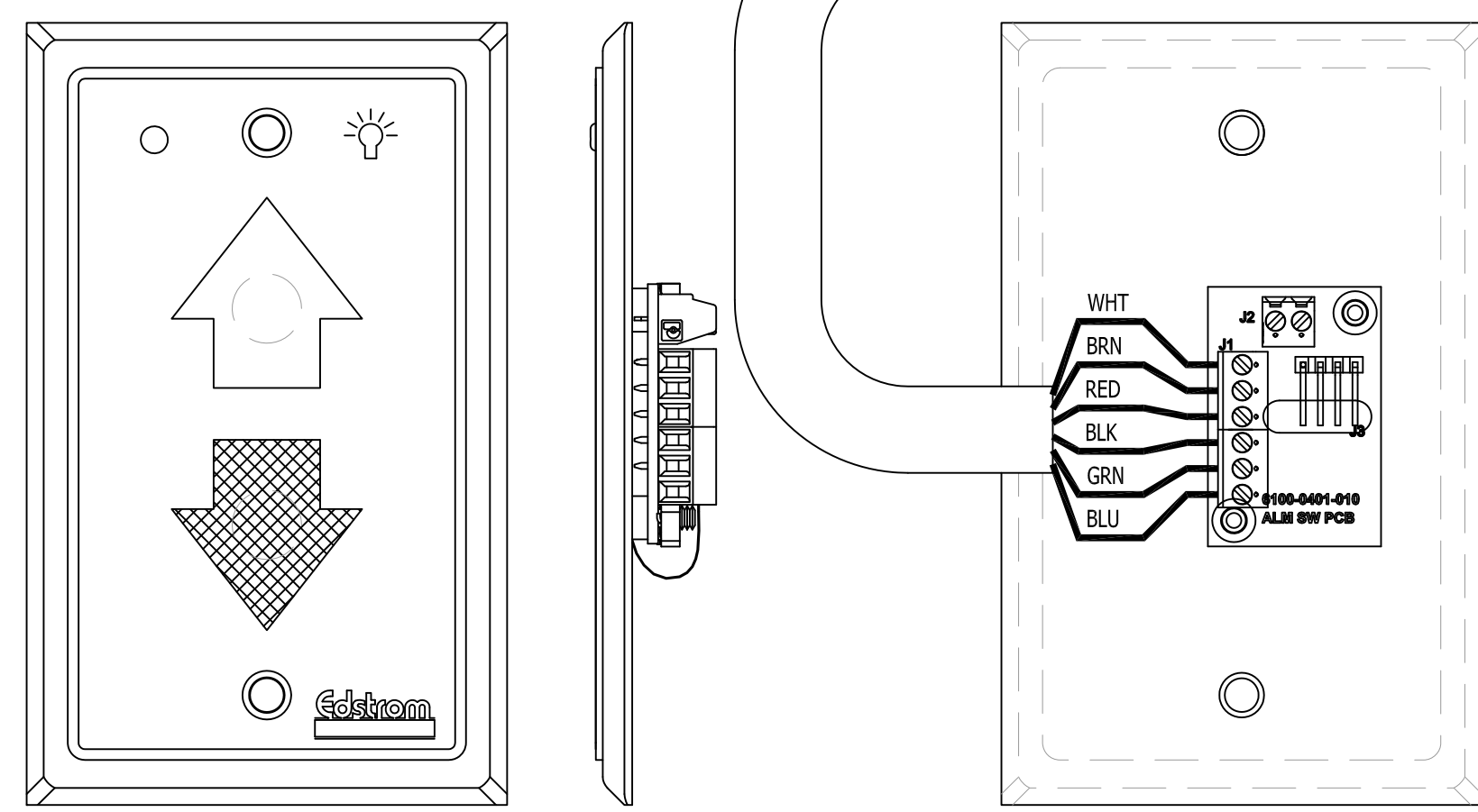
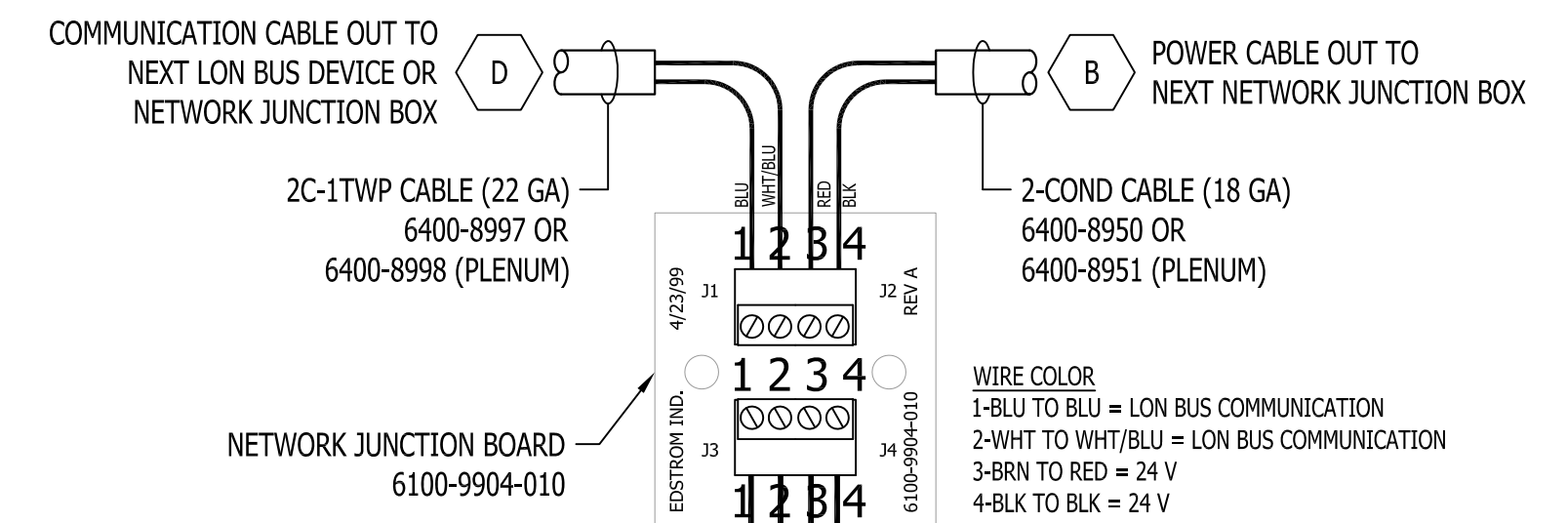
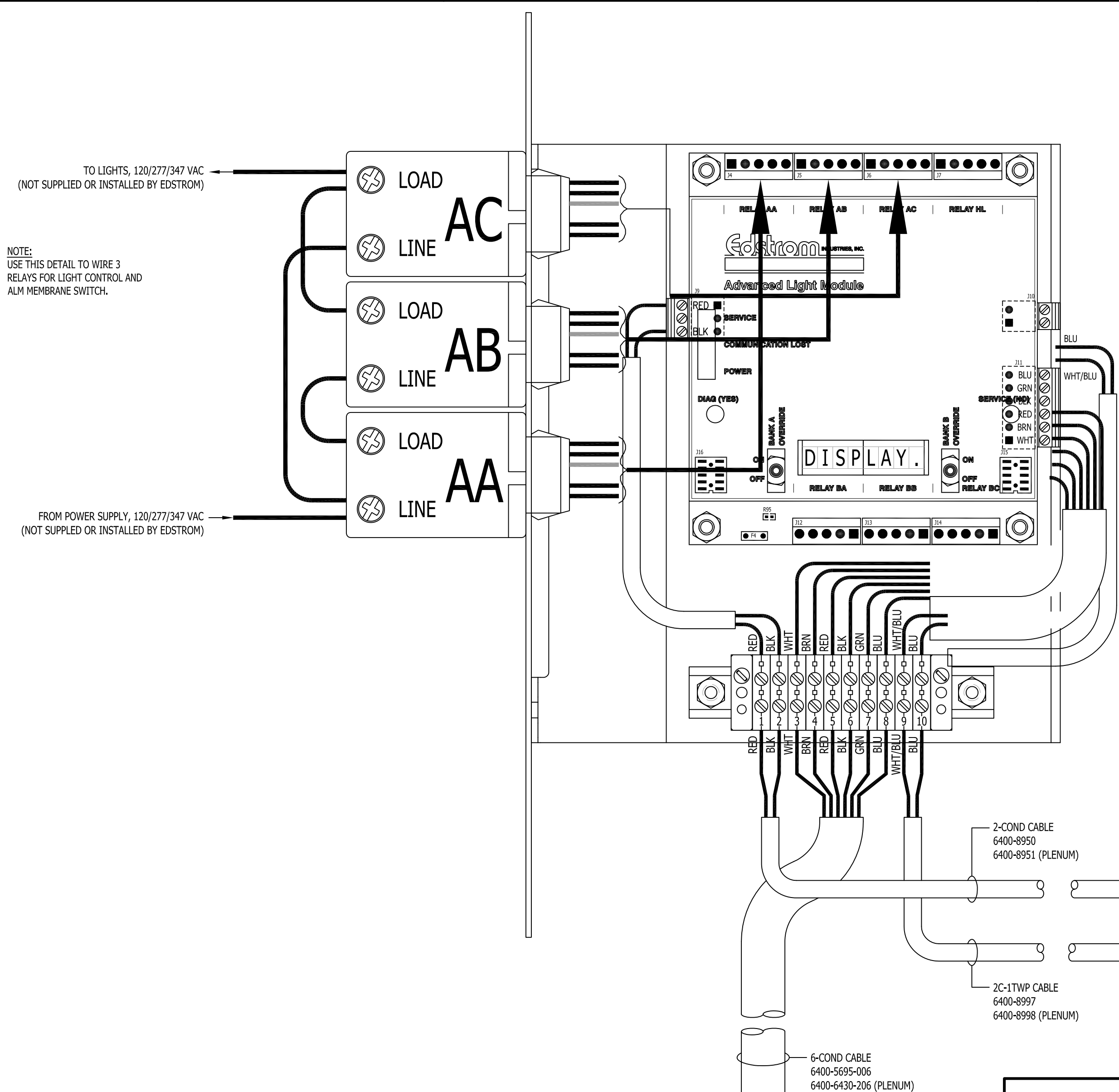
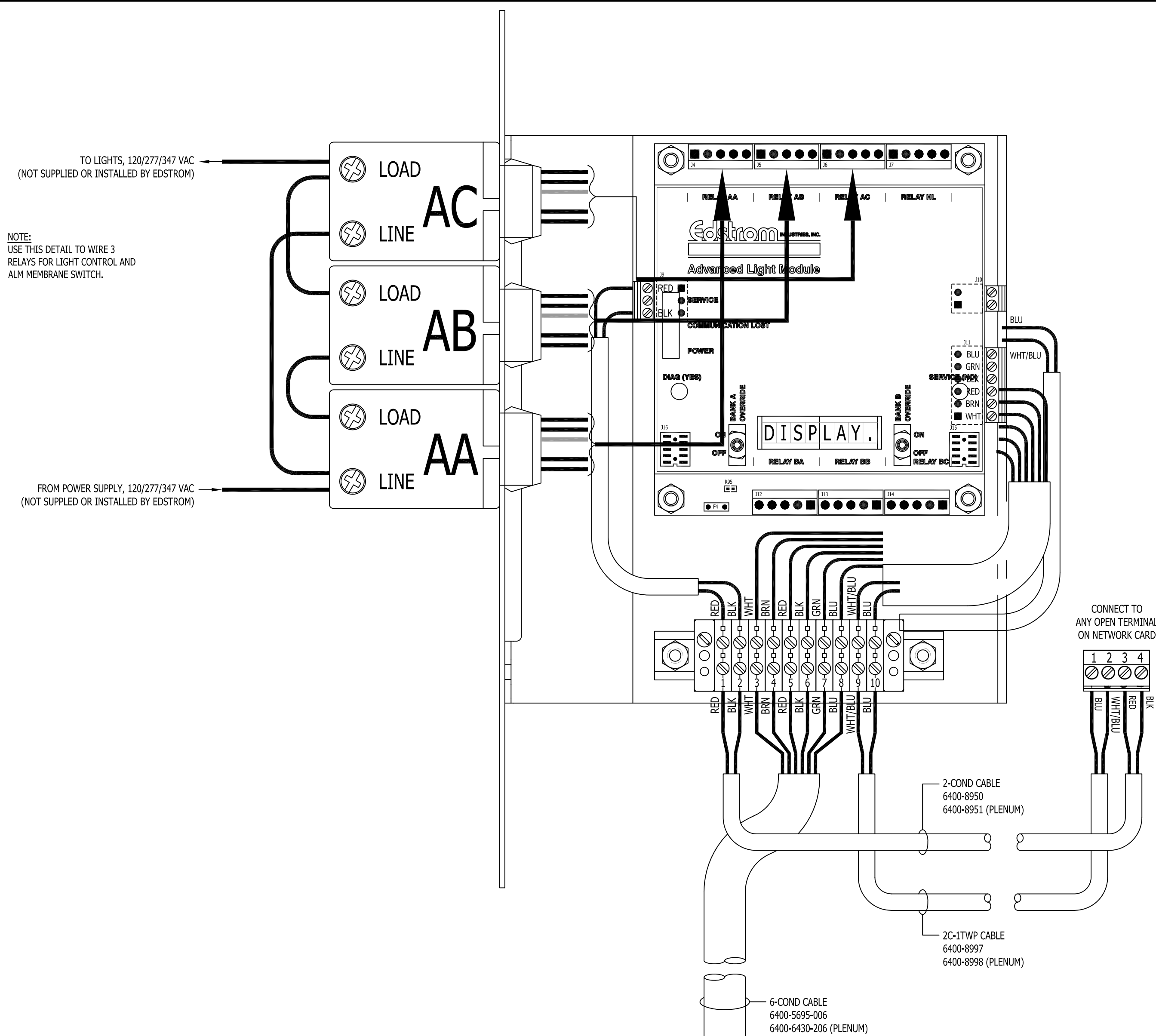


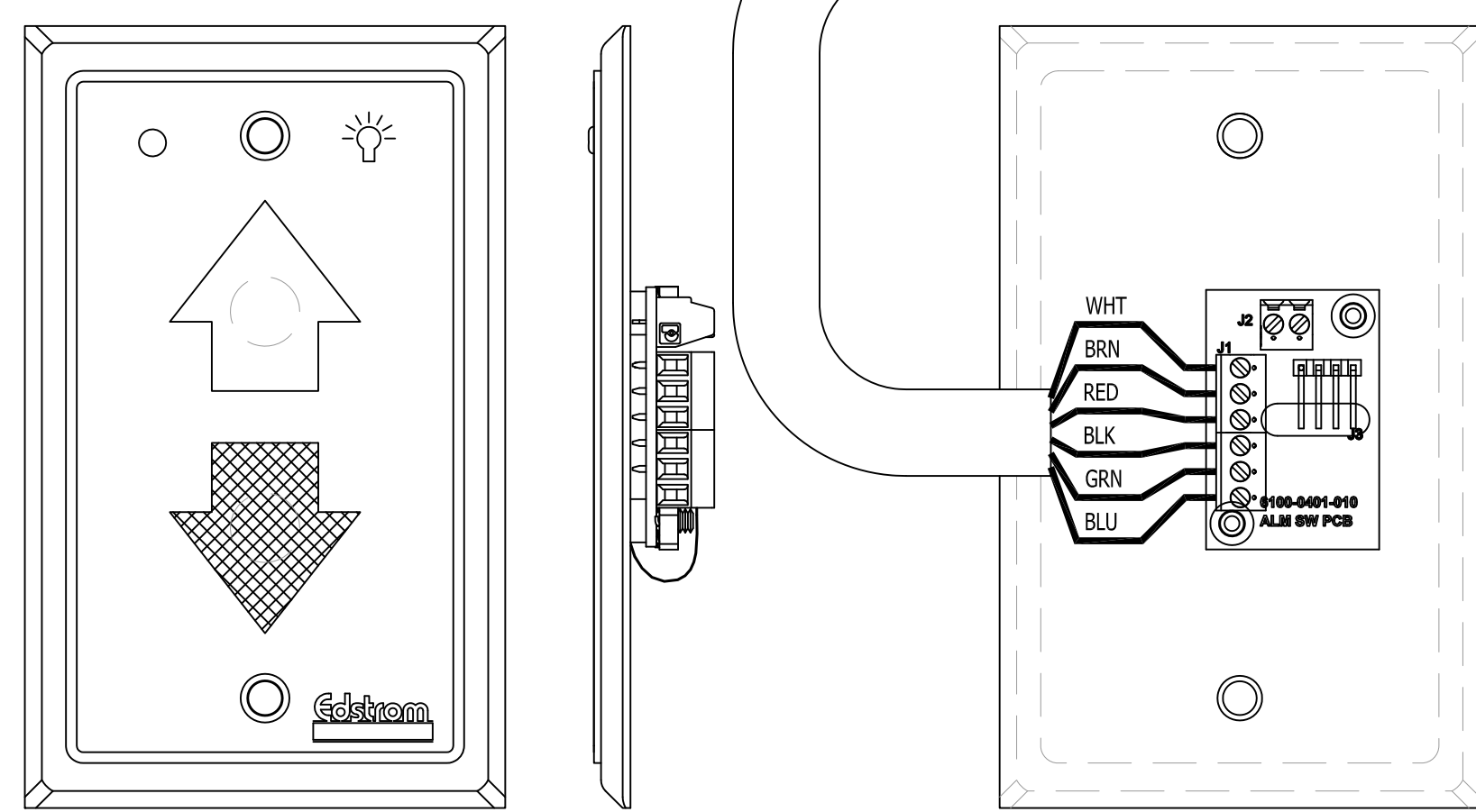
SCOPE OF WORK
#32472



ALM MEMBRANE SWITCH

V5 ADVANCED LIGHT MODULE CONTROL w/3 RELAYS
REDUNDANT W/O HIGH LEVEL CONTROL

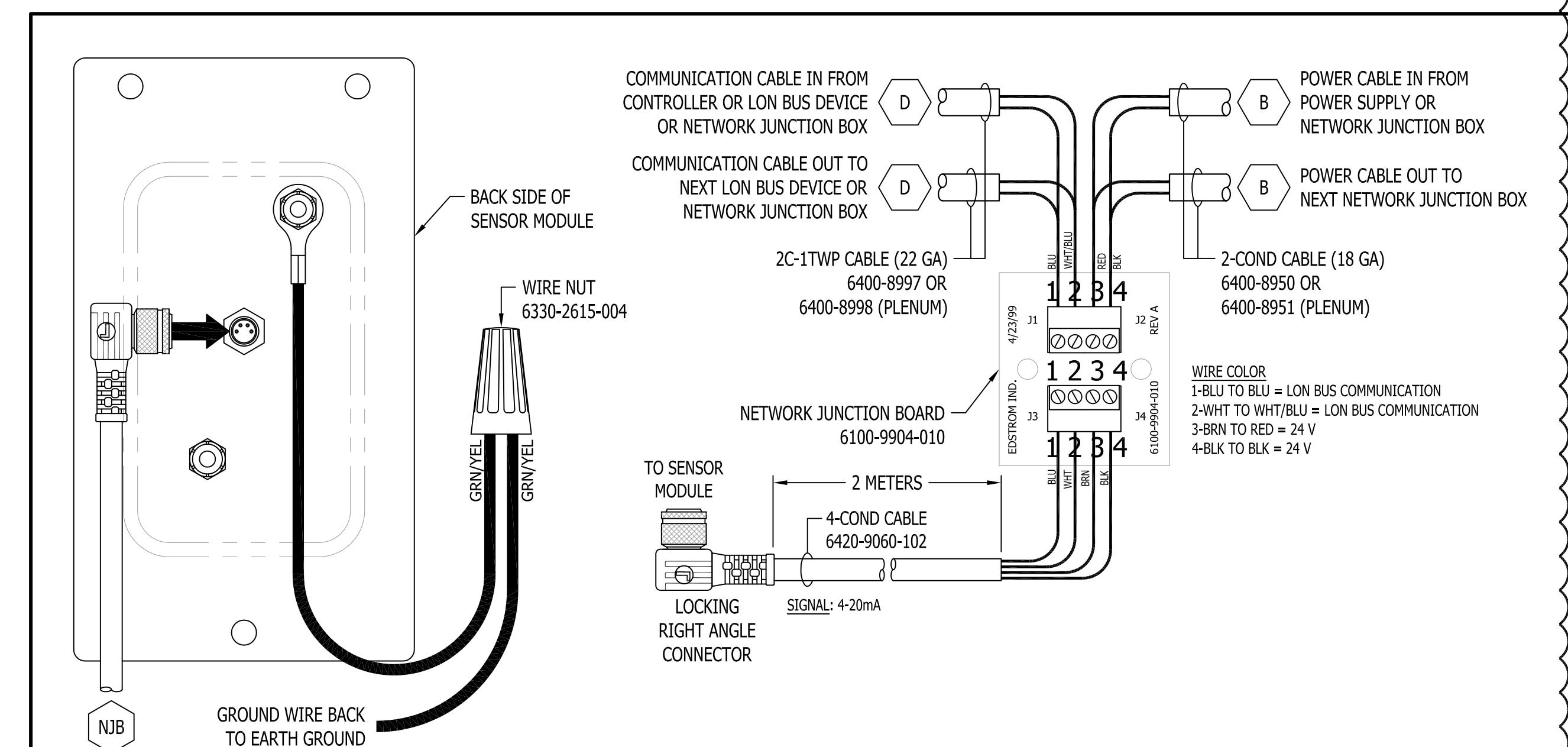
9156-5110_5000-5410-021b 1/1



ALM MEMBRANE SWITCH

V5 ADVANCED LIGHT MODULE CONTROL w/3 RELAYS
REDUNDANT W/O HIGH LEVEL CONTROL

9156-5110_5000-5410-021b 1/1



SENSOR MODULE 4 WIRING TO NETWORK JUNCTION BOX
WHEN LESS THAN 2 METERS FROM JUNCTION BOX

9156-5110_5000-5410-021b 1/1

REV	JOB NO.	REVISION	DRAWN	CHECKED	APPROVED	REV	JOB NO.	REVISION	DRAWN	CHECKED	APPROVED
1	11014208	SUBMITTAL: INITIAL DRAWING RELEASE	GHV/MS/09/11	MS/MS/09/11	MS/MS/09/11	1	11014208		GHV/MS/09/11	MS/MS/09/11	MS/MS/09/11
2	11014208	SUBMITTAL: REVISED TWO VS COMPONENT BOX DETAILS WITH TWO & FOUR RELAYS; ADDED ALM DETAIL WITH (3) RELAYS; ADDED SH DETAIL.	GHV/MS/09/11	MS/MS/09/11	MS/MS/09/11	2	11014208		GHV/MS/09/11	MS/MS/09/11	MS/MS/09/11

REV	JOB NO.	REVISION	DRAWN	CHECKED	APPROVED	REV	JOB NO.	REVISION	DRAWN	CHECKED	APPROVED
1	11014208	SUBMITTAL: INITIAL DRAWING RELEASE	GHV/MS/09/11	MS/MS/09/11	MS/MS/09/11	1	11014208		GHV/MS/09/11	MS/MS/09/11	MS/MS/09/11
2	11014208	SUBMITTAL: REVISED TWO VS COMPONENT BOX DETAILS WITH TWO & FOUR RELAYS; ADDED ALM DETAIL WITH (3) RELAYS; ADDED SH DETAIL.	GHV/MS/09/11	MS/MS/09/11	MS/MS/09/11	2	11014208		GHV/MS/09/11	MS/MS/09/11	MS/MS/09/11

PROPRIETARY DATA-INFORMATION:
When applicable, the detail views on this drawing incorporate third angle projection.
Reproduction or disclosure of data or information contained herein without the explicit consent of Edstrom is forbidden.

Edstrom
819 Bakke Avenue, Waterford, WI 53185
Tel: 262.534.5181 Fax: 262.534.5184

ESP CONTROLLER CABLE CONNECTIONS FOR:
JESSE BROWN V.A. MEDICAL CENTER
BUILDING 11B/7th FLOOR/MEDICAL R&D SERVICE 278
CHICAGO, IL

PROJ SCALE: 1 = 1
DATE: 08-30-05
DRAWING NO.: 5110-9156-002
REV: A