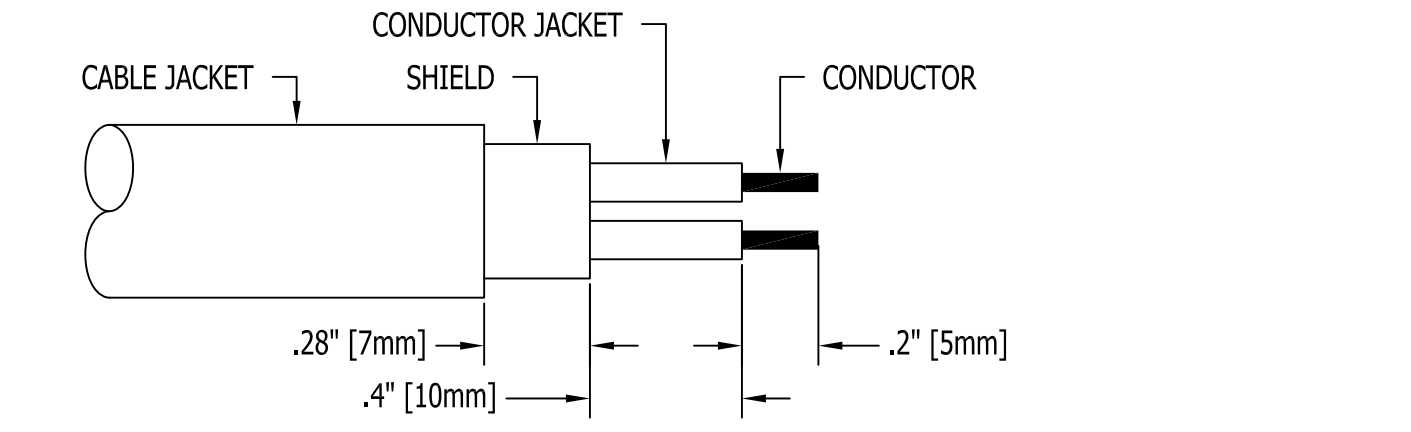
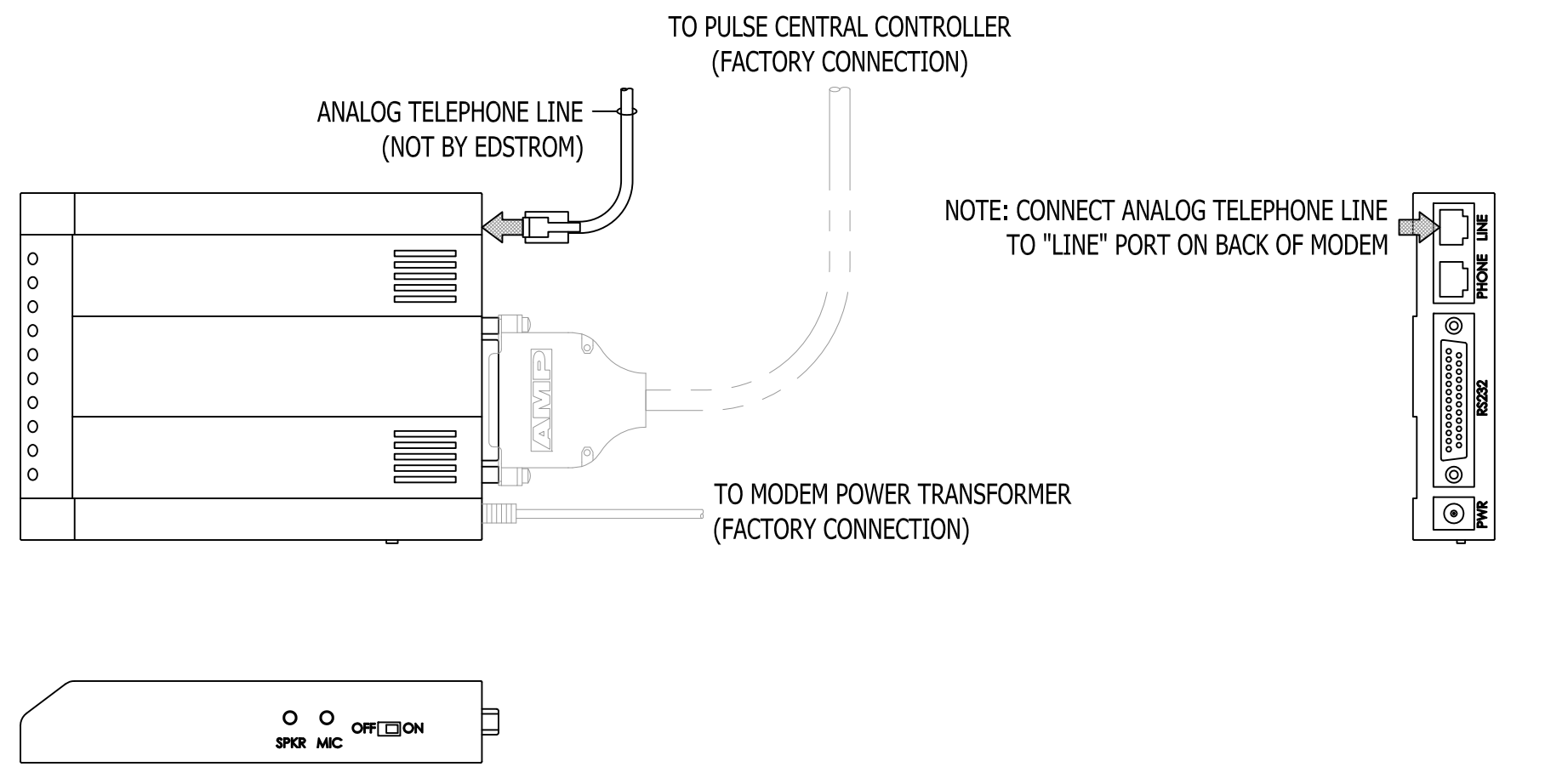


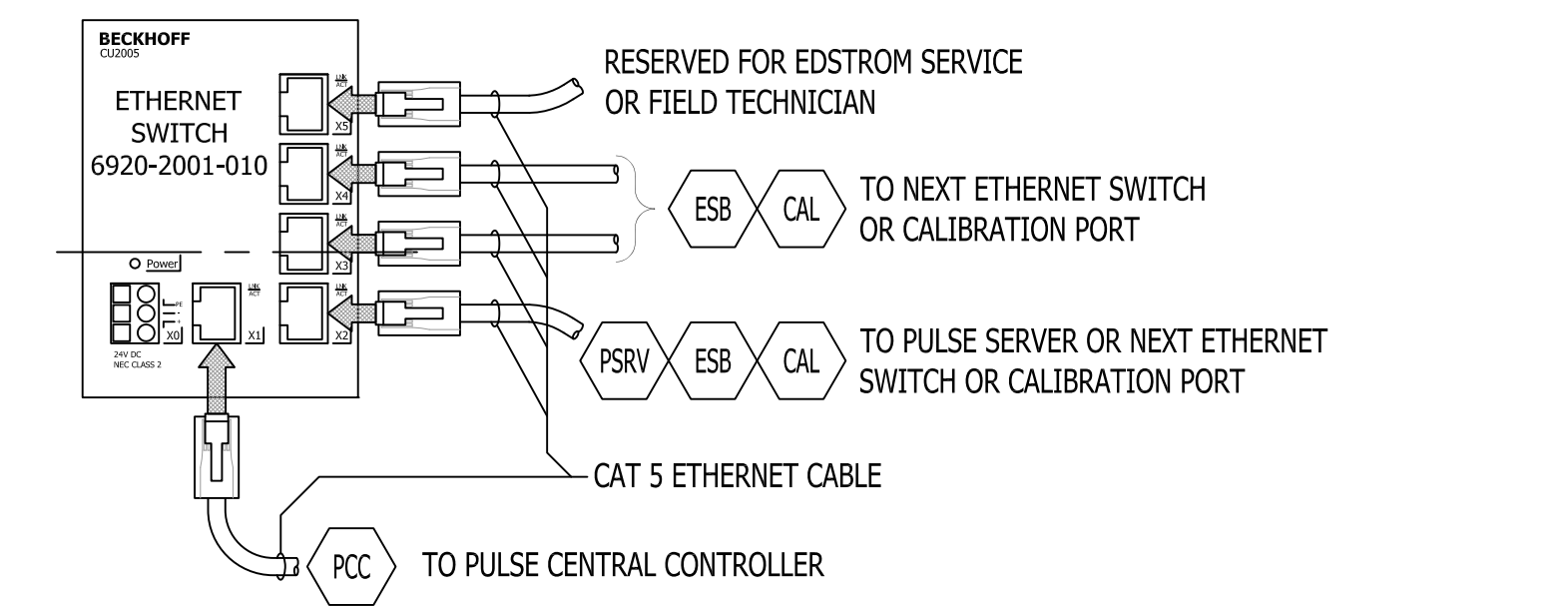
RS-485 (MOD BUS) COUPLER 6320-7940-101 WIRING FOR TERMINATION CONNECTIONS 1/1



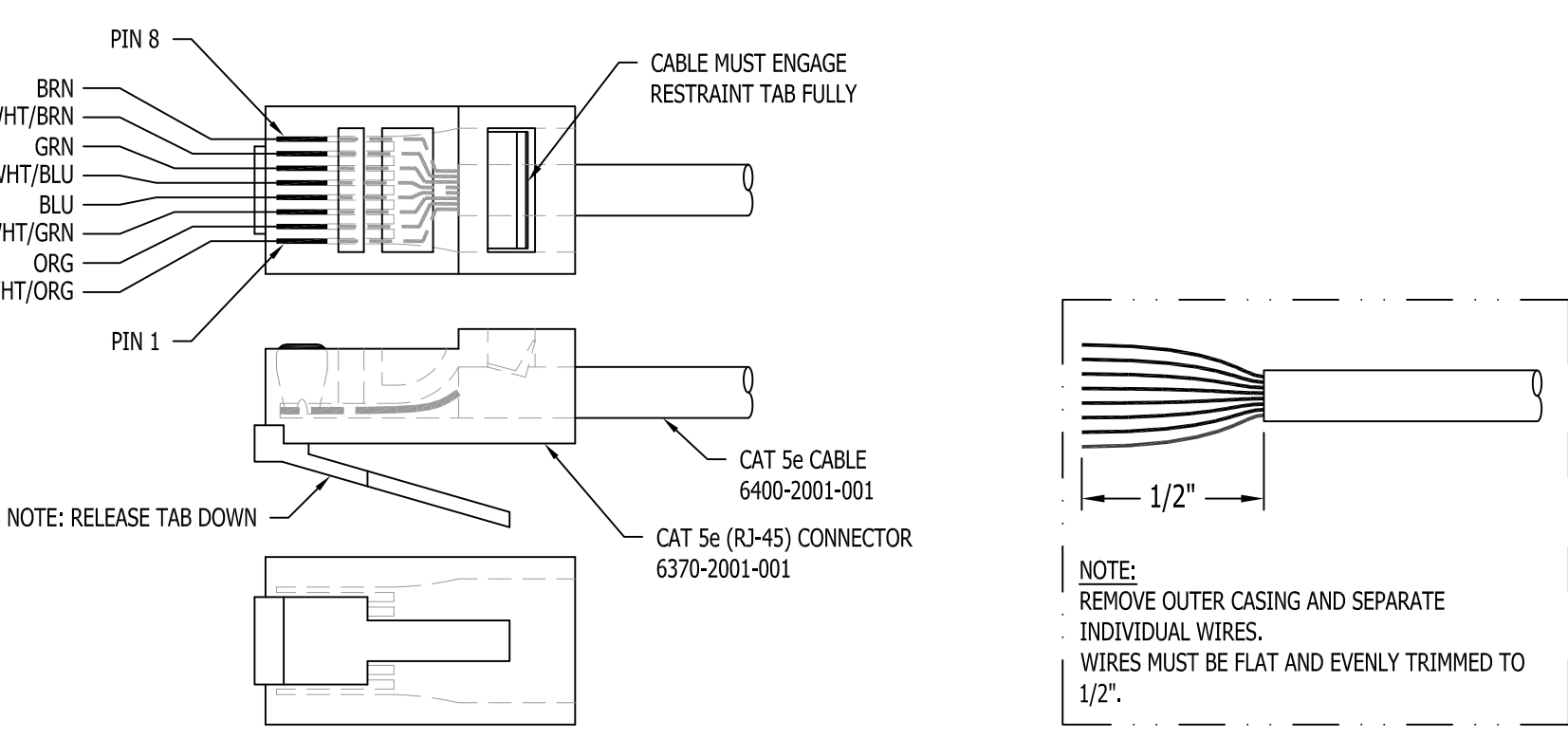
CABLE STRIPPING GUIDE FOR MOD BUS CABLE 6400-7940-004 2/1



FIELD CONNECTION FOR PULSE MODEM 1/2



PULSE 5-PORT ETHERNET SWITCH CONNECTIONS 1/2



RJ-45 ETHERNET CONNECTION WIRING PINOUT (T568B) STANDARD TIA/EIA-568-B.1-2001 2/1

- General Notes for Pulse Central Controller:
- 1) Maintain proper/required clearances of all Edstrom supplied components per N.E.C. specifications.
 - 2) Electrical conduit and accessories not provided by Edstrom. If conduit is provided by the customer for cable installed by Edstrom, pull strings and suitable access for pulling cable must be provided by the customer.
 - 3) Computer furniture is not included.
 - 4) Receiving, unloading, and storage of material at jobsite is not included.
 - 5) Final disposal of packaging, scrap material, and removed equipment is not included.
 - 6) Permits, certifications and inspections required by local, state, or federal codes are not included.
 - 7) Installation of recessed enclosures is not included.
 - 8) Recessed enclosures require minimum 8" wall thickness.

REV.	JOB NO.	SUBMITTAL	INITIAL DRAWING RELEASE	REVISION	REVISION	REVISION	REVISION	REVISION	REVISION	REVISION	REVISION	REVISION	REVISION	REVISION	REVISION	REVISION	REVISION	REVISION	REVISION	REVISION	
1	132492																				

When applicable, the detail views on this drawing incorporate third angle projection.

PROPRIETARY DATA-INFORMATION:
 Reproduction or disclosure of data or information contained herein without the explicit consent of Edstrom is forbidden.



PULSE PCX I/O BOX CONNECTIONS FOR:
 JESSE BROWN V.A. MEDICAL CENTER
 BUILDING 11B/78th FLOOR/MEDICAL R&D SERVICE 278
 CHICAGO, IL

1 = 1
 E BORD
 04-24-17
 5820-9156-001.1
 A