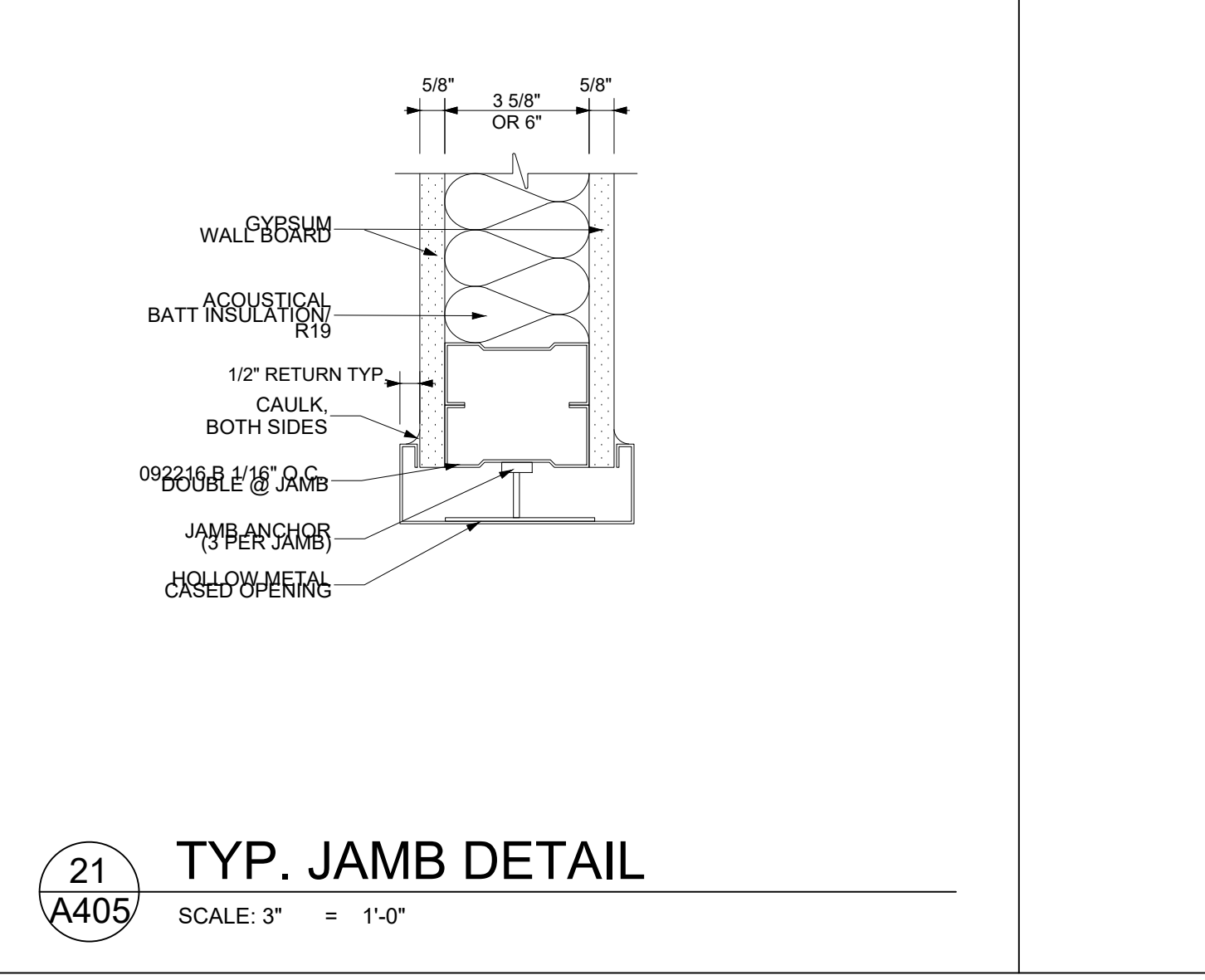
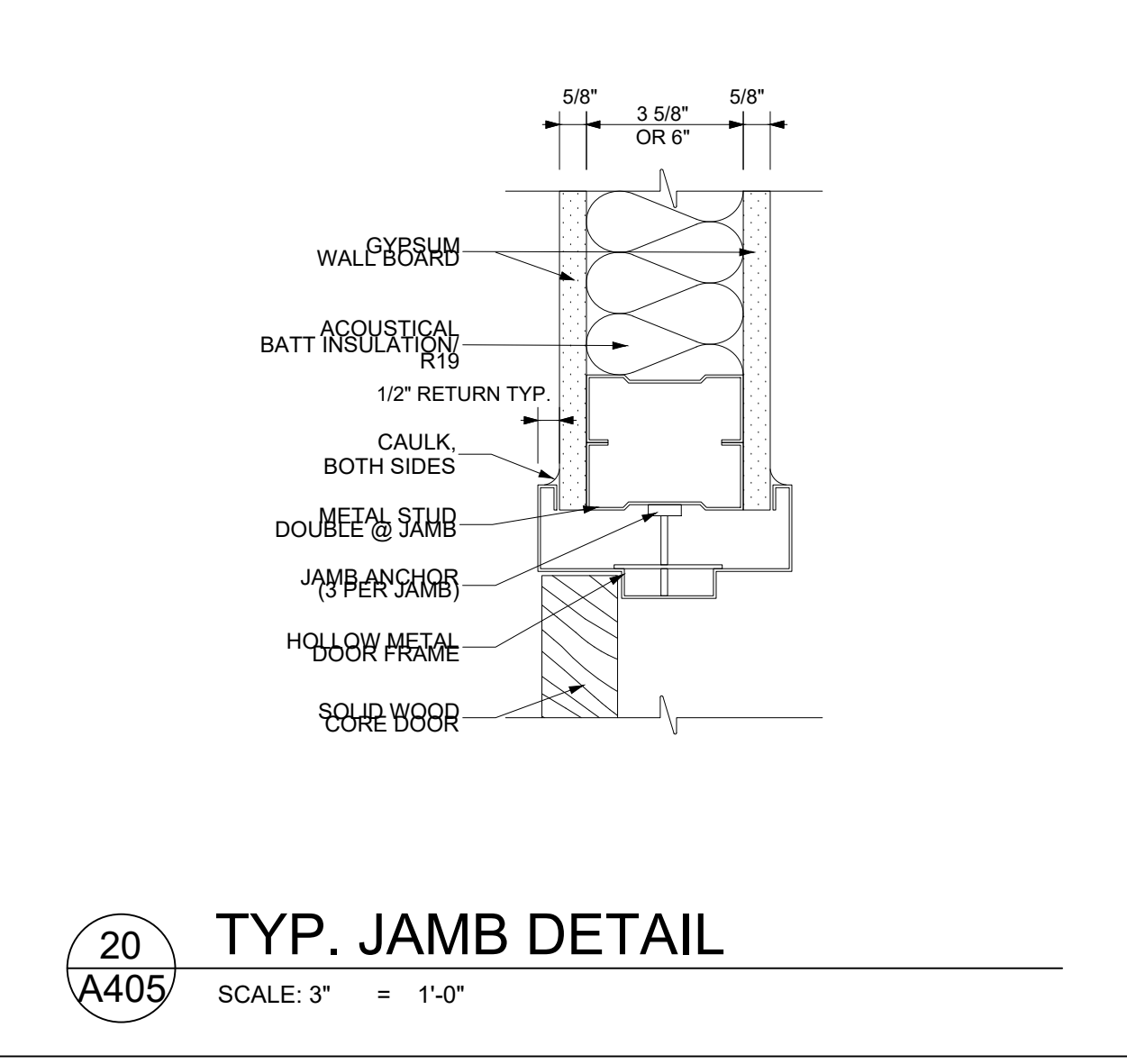
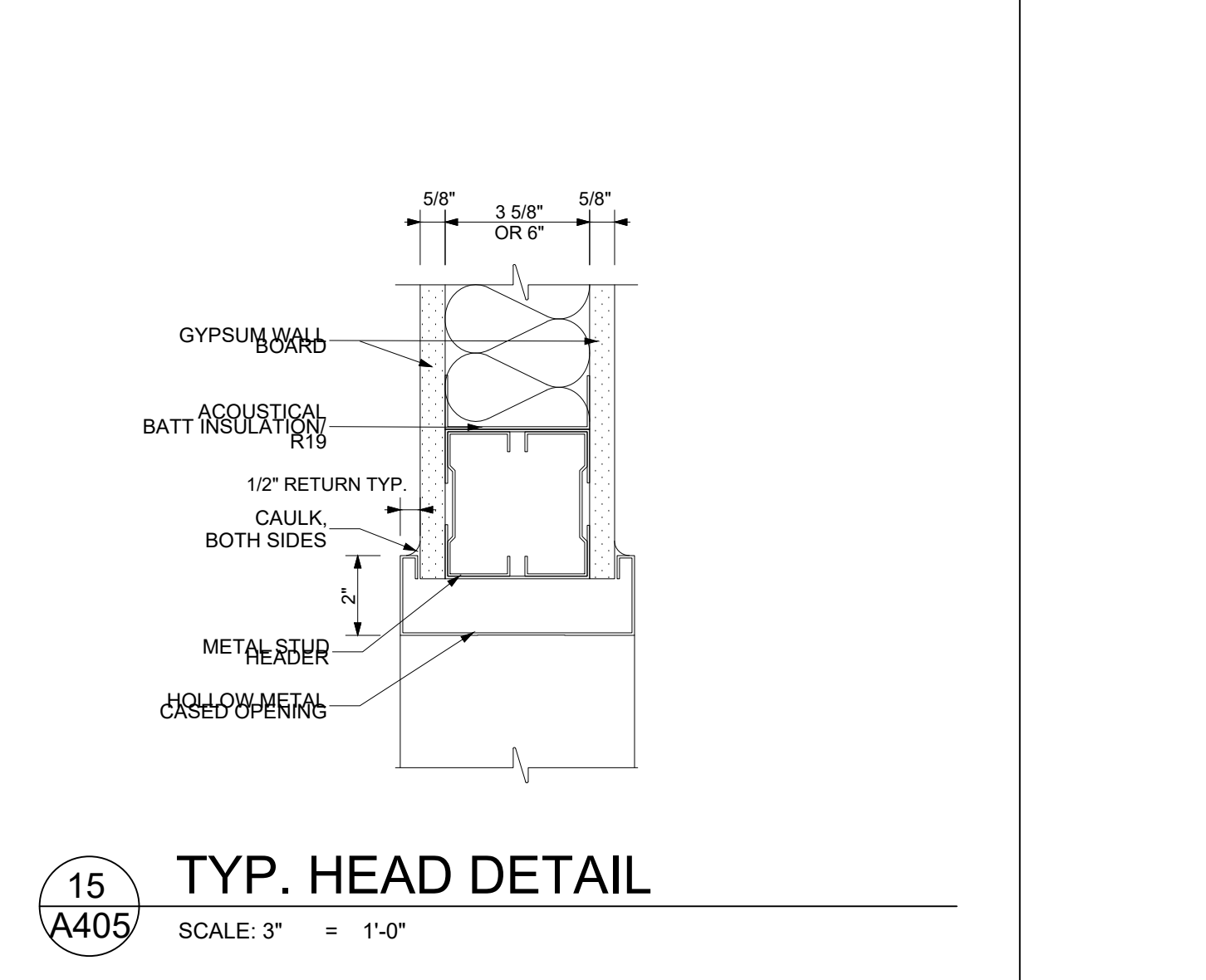
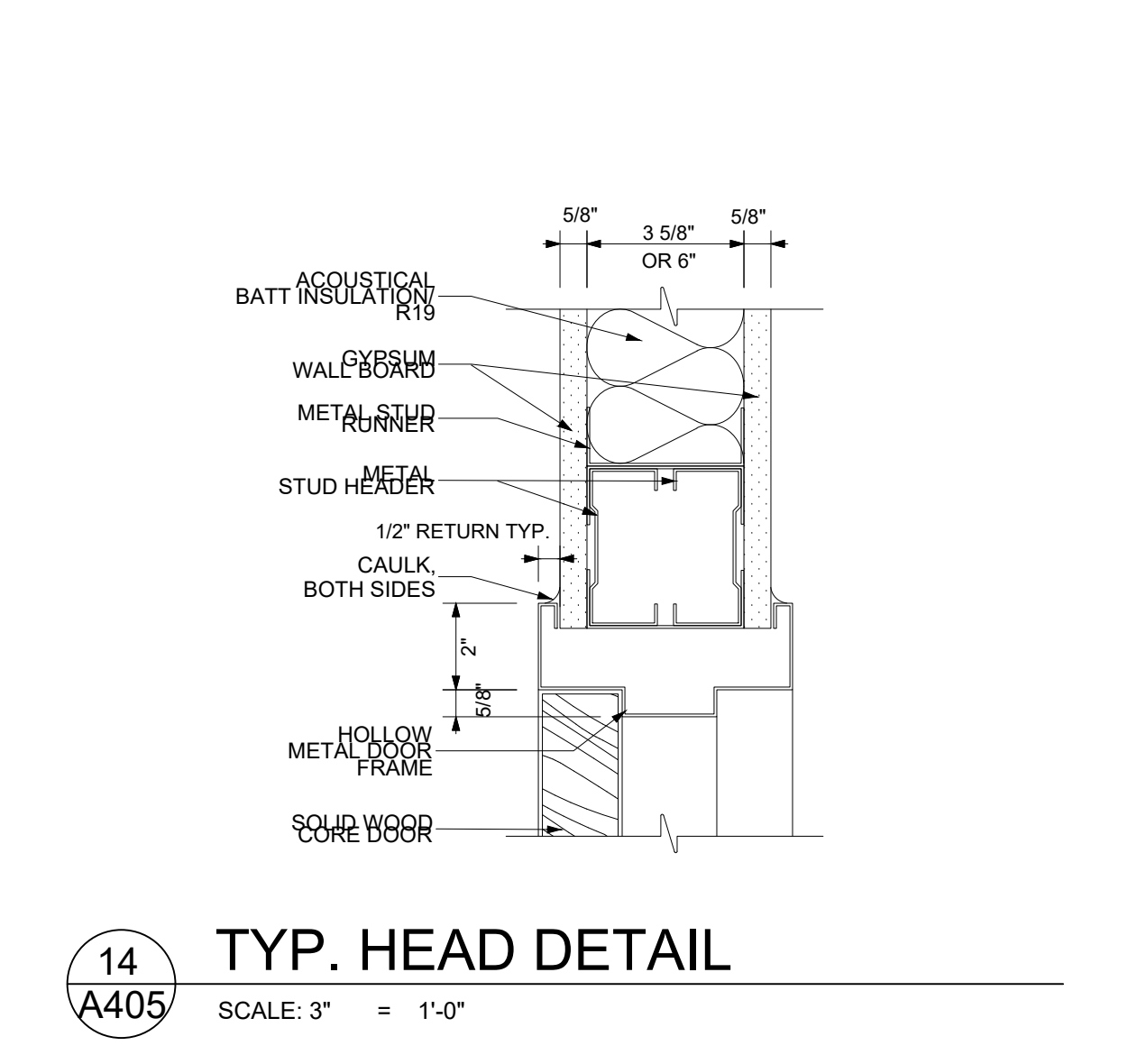
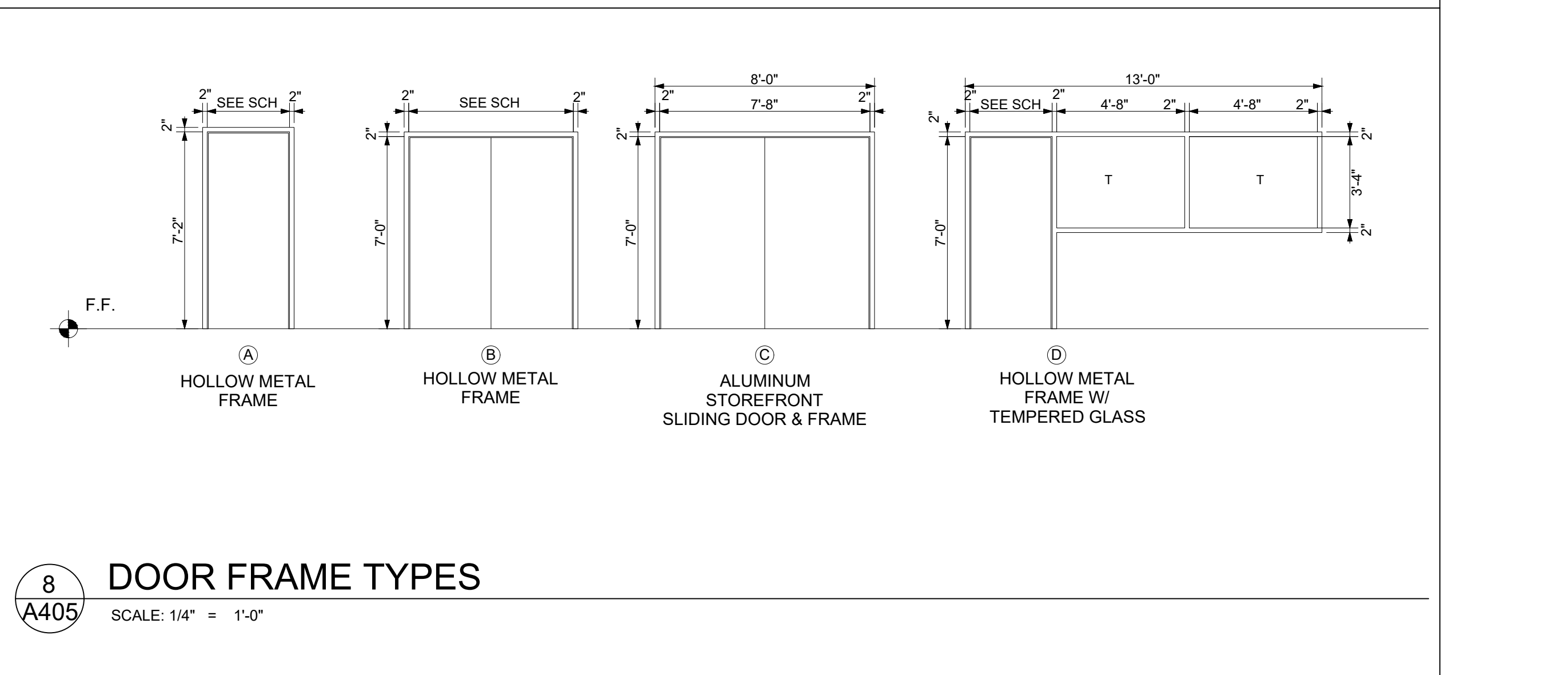
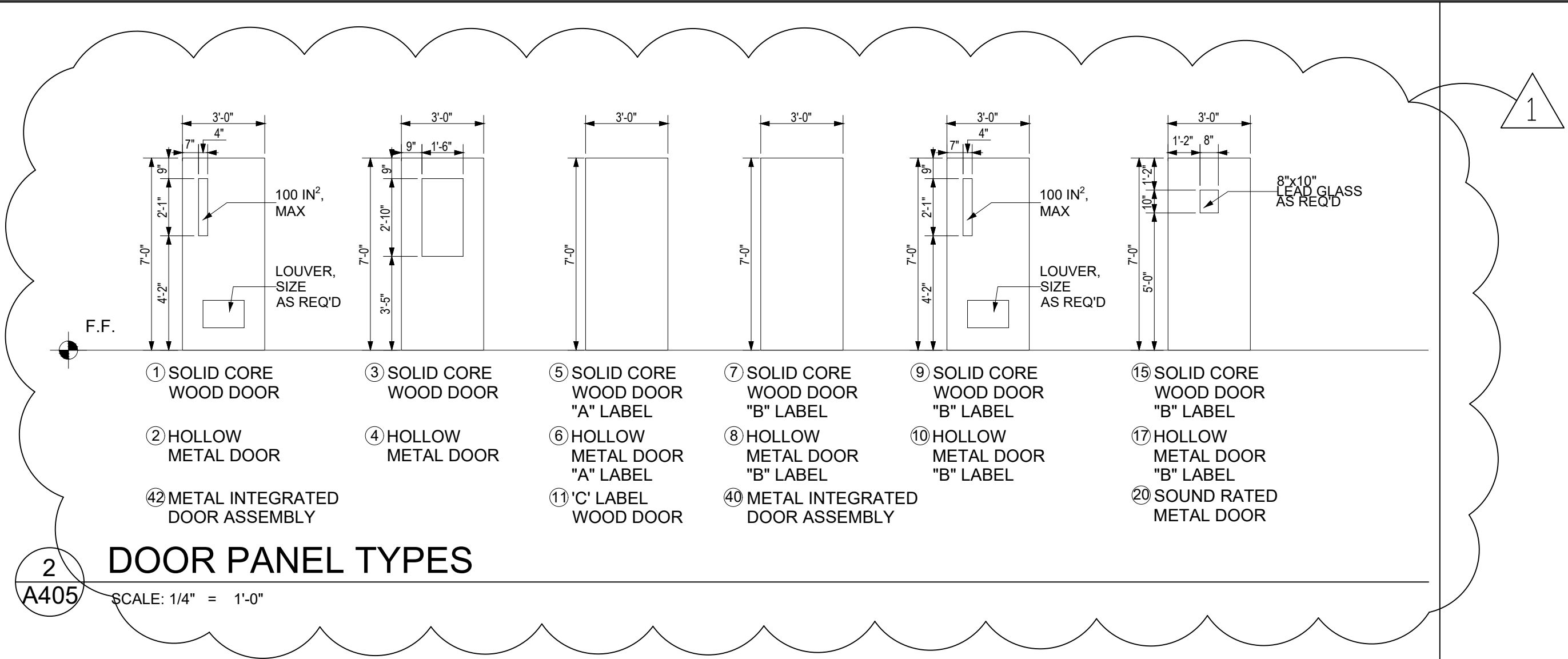


A three inches = one foot  
 B one and one half inches = one foot  
 C one inch = one foot  
 D three quarters inch = one foot  
 E one half inch = one foot  
 F three eighths inch = one foot  
 G one quarter inch = one foot  
 H one eighth inch = one foot

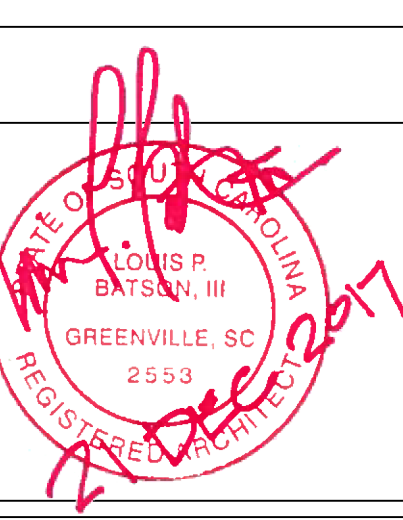


**DOOR AND FRAME SCHEDULE**

DOOR #	ROOM #	ROOM NAME	DOOR			FRAME				FIRE RATING	GLAZING	HARDWARE SET
			W	HT	THK	TYPE	DETAIL					
			W	HT	THK	TYPE	HEAD	JAMB	SILL	TYPE		
100			3'-0"	7'-0"	0'-1 3/4"							
143	4A143	CLEAN UTILITY	3'-0"	7'-0"	0'-1 3/4"	11					45 MIN	FIRE
144	4A144	GAS. CYL. STOR.	3'-0"	7'-0"	0'-1 3/4"	11					45 MIN	NONE
145	4A145	WORK ROOM	3'-0"	7'-0"	0'-1 3/4"	3						TEMPERED
146	4A146	SOILED UTILITY	4'-0"	7'-0"	0'-1 3/4"	11					45 MIN	FIRE
153	4A153	ANTE ROOM	7'-8"	7'-0"	0'-1 3/4"	SLIDING GLASS						TEMPERED
154	4A154	ISO. PACU.	7'-8"	7'-0"	0'-1 3/4"	SLIDING GLASS						TEMPERED
156	4A156	MED.	3'-0"	7'-0"	0'-1 3/4"	1						TEMPERED
157A	4A157	ANESTH. WORK ROOM	3'-8"	7'-0"	0'-1 3/4"	1						TEMPERED
157B	4A157	ANESTH. WORK ROOM	3'-8"	7'-0"	0'-1 3/4"	1						TEMPERED
158	4A158	LOCKERS	3'-0"	7'-0"	0'-1 3/4"	1						NONE
159	4A158	LOCKERS	3'-0"	7'-0"	0'-1 3/4"	1						NONE
160A	4A160	LOCKERS	3'-0"	7'-0"	0'-1 3/4"	1						NONE
161	4A161	TLT.	3'-0"	7'-0"	0'-1 3/4"	1						NONE
162	4A162	CORR.	6'-0"	7'-0"	0'-1 3/4"	42					90 MIN.	FIRE
163	4A163	OR EQUIP.	3'-0"	7'-0"	0'-1 3/4"	11						NONE
164	4A164	PRE-OP	7'-8"	7'-0"	0'-1 3/4"	SLIDING GLASS						TEMPERED
165	4A165	PRE-OP	7'-8"	7'-0"	0'-1 3/4"	SLIDING GLASS						TEMPERED
166	4A166	PRE-OP	7'-8"	7'-0"	0'-1 3/4"	SLIDING GLASS						TEMPERED
167	4A167	PRE-OP	7'-8"	7'-0"	0'-1 3/4"	SLIDING GLASS						TEMPERED
168	4A168	PRE-OP	7'-8"	7'-0"	0'-1 3/4"	SLIDING GLASS						TEMPERED
169	4A169	PRE-OP	7'-8"	7'-0"	0'-1 3/4"	SLIDING GLASS						TEMPERED
170	4A170	PAT. TLT.	3'-0"	7'-0"	0'-1 3/4"	1						NONE
171	4A171	ELEC.	3'-0"	7'-0"	0'-1 3/4"	1						NONE
172	4ACAR	CONSTRUCTION ANTE R...	7'-4"	7'-0"	0'-1 3/4"	42					90 MIN.	FIRE
173	4A173	PYXIS SUPPLY	10'-0"	7'-0"	0.15'	NONE						
174	4A174	PAT. TLT.	3'-0"	7'-0"	0'-1 3/4"	1						NONE
175A	4A175	CORR.	6'-0"	7'-0"	0'-1 3/4"	42						TEMPERED
175B	4A175	CORR.	8'-0"	7'-0"	0.15'	NONE						
176A	4A176	VEST.	3'-0"	7'-0"	0'-1 3/4"	1						NONE
176B	4A175	CORR.	4'-0"	7'-0"	0.15'	NONE						
176C	4A176	VEST.	3'-0"	7'-0"	0'-1 3/4"	1						NONE
177A	4A177	HYBRID OR CONTROL	3'-0"	7'-0"	0'-1 3/4"	1						TEMPERED
177B	4A177	HYBRID OR CONTROL	3'-0"	7'-0"	0'-1 3/4"	1						LEAD
178A	4A178	HYBRID OR	8'-0"	7'-0"	0'-1 3/4"	15						LEAD
178B	4A178	HYBRID OR	4'-0"	7'-0"	0'-1 3/4"	15						LEAD
179A	4A175	CORR.	6'-0"	7'-0"	0.15'	NONE						
179B	4A179	VEST.	4'-0"	7'-0"	0'-1 3/4"	1					45 MIN.	FIRE
180	4A180	SAT. LAB	3'-0"	7'-0"	0.15'	NONE						
181A	4A181	OR STOR.	6'-0"	7'-0"	0'-1 3/4"	11					45 MIN.	NONE
182A	4A182	PUMP ROOM	3'-0"	7'-0"	0'-1 3/4"	11						TEMPERED
182B	4A182	PUMP ROOM	3'-0"	7'-0"	0'-1 3/4"	11						TEMPERED
183	4A175	CORR.	6'-0"	7'-0"	0'-1 3/4"	42 SLIDING						TEMPERED
185A	4A185	CORR.	8'-0"	7'-0"	0.15'	NONE						
185B	4A185	CORR.	8'-0"	7'-0"	0.15'	NONE						
186A	4A186	CARDIO THORACIC OR	6'-0"	7'-0"	0'-1 3/4"	15						NONE
186B	4A186	CARDIO THORACIC OR	4'-0"	7'-0"	0'-1 3/4"	15					45 MIN.	NONE
186B	4A189	CORR.	8'-0"	7'-0"	0.15'	NONE						
187A	4A187	ORTHO OR	6'-0"	7'-0"	0'-1 3/4"	15						NONE
187B	4A187	ORTHO OR	4'-0"	7'-0"	0'-1 3/4"	15					45 MIN.	NONE
188A	4A189	CORR.	5'-0"	7'-0"	0'-1 3/4"	20					45 MIN.	NONE
188B	4A198	CORR.	3'-0"	7'-0"	0'-1 3/4"	20					45 MIN.	NONE
190	4A190	CLEAN CORE	3'-0"	7'-0"	0'-1 3/4"	1					45 MIN.	FIRE
191	4A191	HYBRID EQUIP.	3'-0"	7'-0"	0'-1 3/4"	15					45 MIN.	NONE
192	4A192	IMMED. STERIL.	3'-0"	7'-0"	0'-1 3/4"	1					45 MIN.	NONE
193	4A193	H.A.C	3'-0"	7'-0"	0'-1 3/4"	1						NONE
194A	4A194	ROBOTICS OR	6'-0"	7'-0"	0'-1 3/4"	15						NONE
194B	4A194	ROBOTICS OR	4'-0"	7'-0"	0'-1 3/4"	15					45 MIN.	NONE
195	4A195	ROB. EQUIP.	8'-0"	7'-0"	0'-1 3/4"	SLIDING GLASS					45 MIN.	FIRE
196	4A196	RAD. STOR.	6'-0"	7'-0"	0'-1 3/4"	11					45 MIN.	NONE
197A	4A197	VEST.	3'-8"	7'-0"	0'-1 3/4"	42						TEMPERED
197B	4A197	VEST.	3'-0"	7'-0"	0'-1 3/4"	40						TEMPERED
199	4A199	COMP. NET	3'-0"	7'-0"	0'-1 3/4"	20						NONE
D1	4ACAR	CONSTRUCTION ANTE R...	5'-0"	7'-0"	0'-1 3/4"	1						NONE

DESCRIPTION-9	DATE-9
DESCRIPTION-8	DATE-8
DESCRIPTION-7	DATE-7
DESCRIPTION-6	DATE-6
DESCRIPTION-5	DATE-5
DESCRIPTION-4	DATE-4
DESCRIPTION-3	DATE-3
DESCRIPTION-2	DATE-2
PRESOLICITATION RFI-1	08/09/18
Revisions:	Date

**CONSULTANTS:**



**ARCHITECT/ENGINEERS:**

**ETERANS 1ST ARCHITECTURE**  
 10-A North Louisville Street  
 Atlanta, GA 30314  
 (404) 556-0197  
 Project Number: V16-01

**ing CONSULTING INC**  
 550 11th Street  
 Augusta, GA 30901  
 (706) 774-1020

**ELECTRICAL DESIGN CONSULTANTS**  
 1201 Broad Street, Suite 1-A  
 Augusta, GA 30901  
 (706) 724-3551 Office (706) 724-8507 Fax  
 Project Number: 16110

Drawing Title  
**DOOR TYPES, DETAILS & SCHEDULE**

Project Location  
**WM. JENNINGS BRYAN DORN  
 VA MEDICAL CENTER**

Project Title  
**100% BID SET  
 RENOVATE OR SUITE**

Location  
**6439 GARNERS FERRY ROAD COLUMBIA, SC**

Date  
 5/16/2018

Checked  
 LPB3

Drawn  
 MSD

Project Number  
 544-16-100

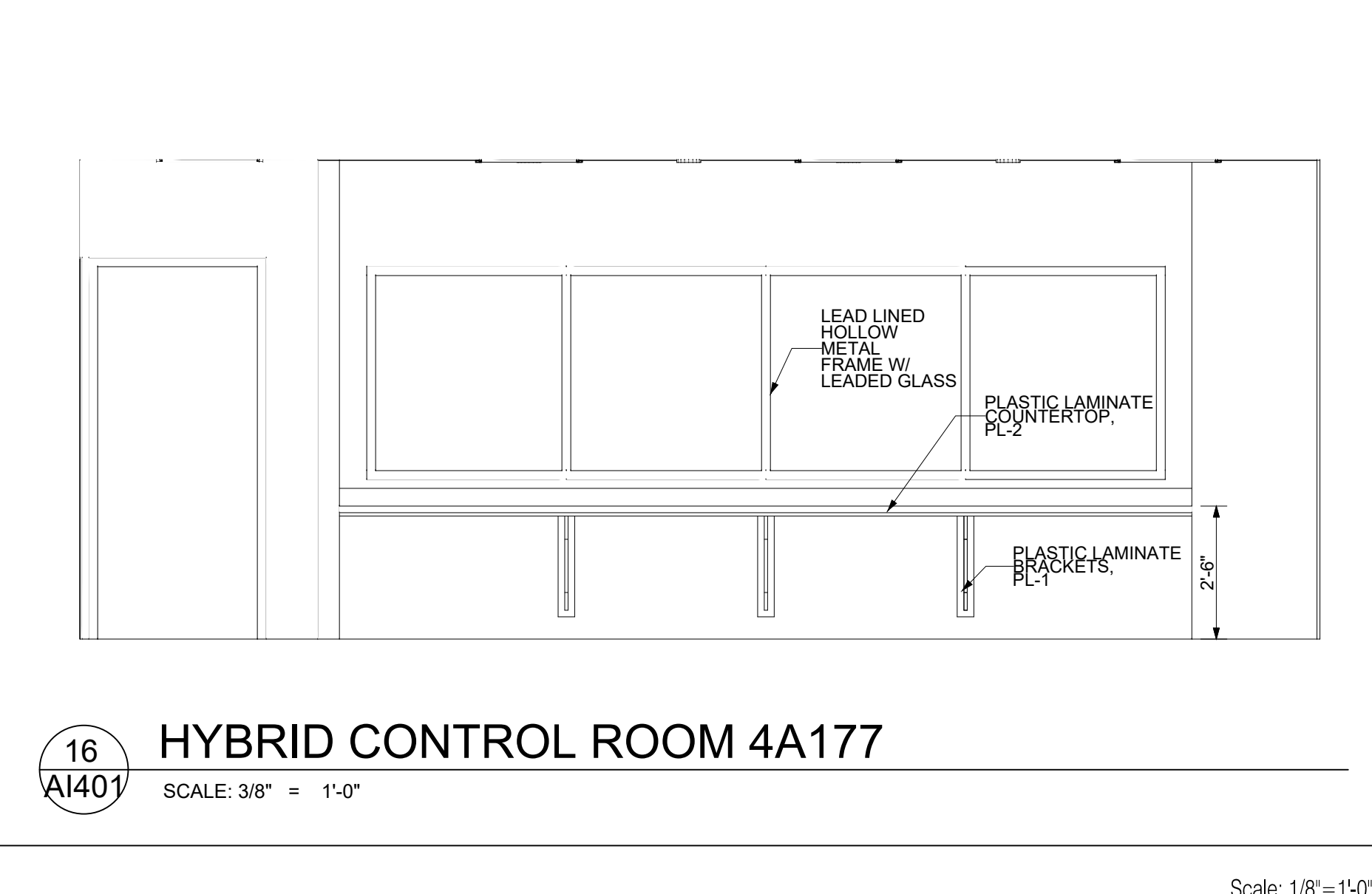
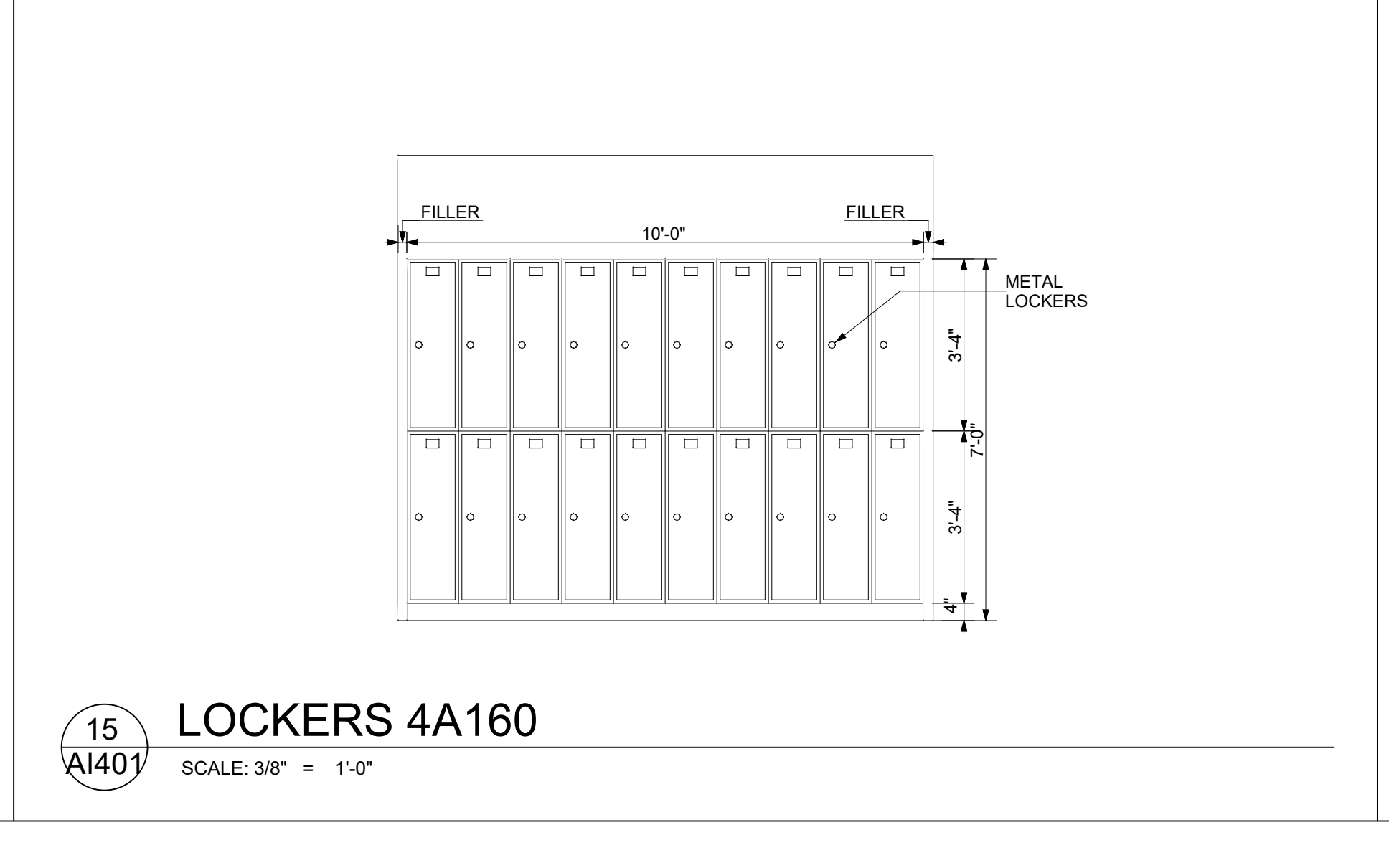
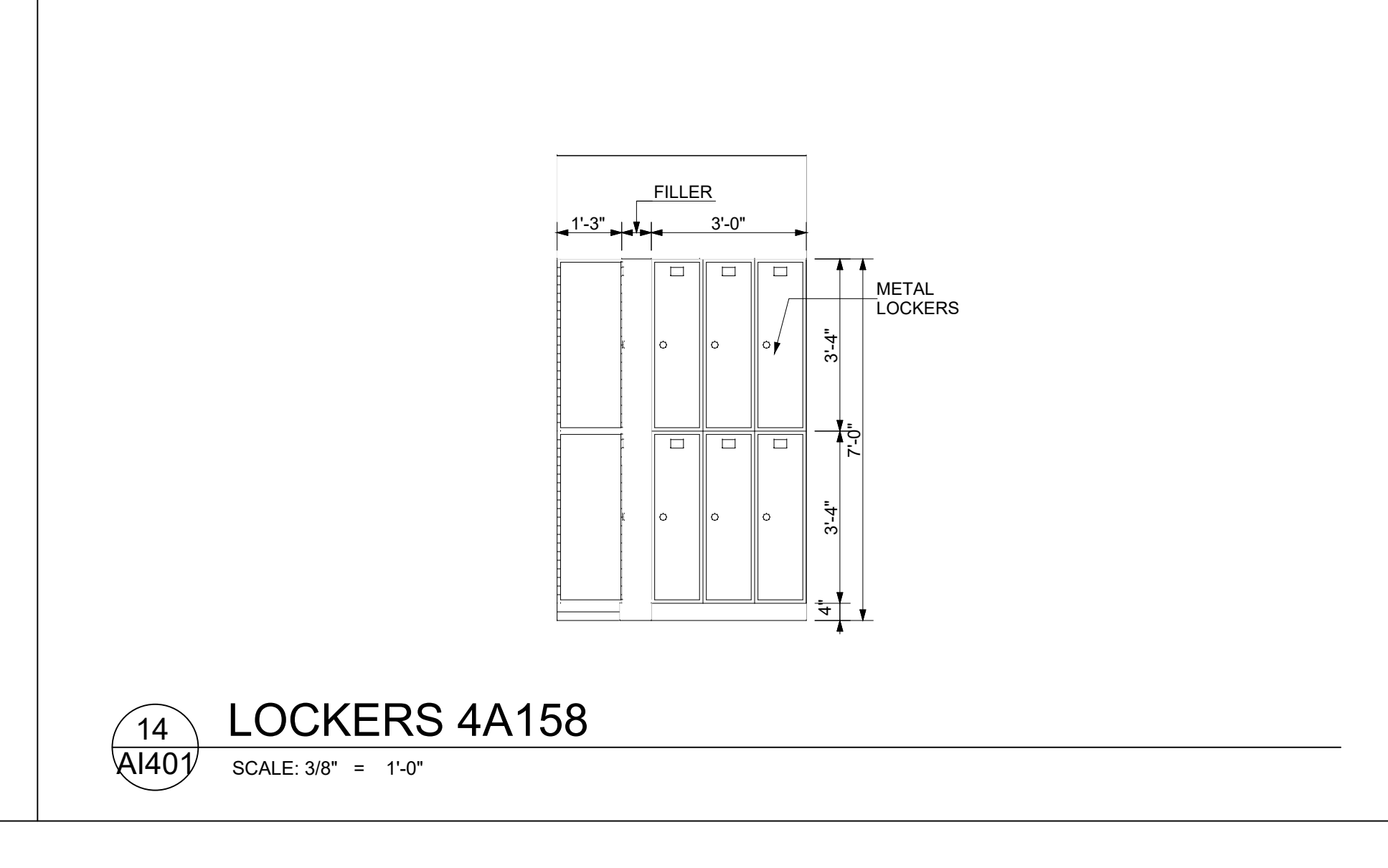
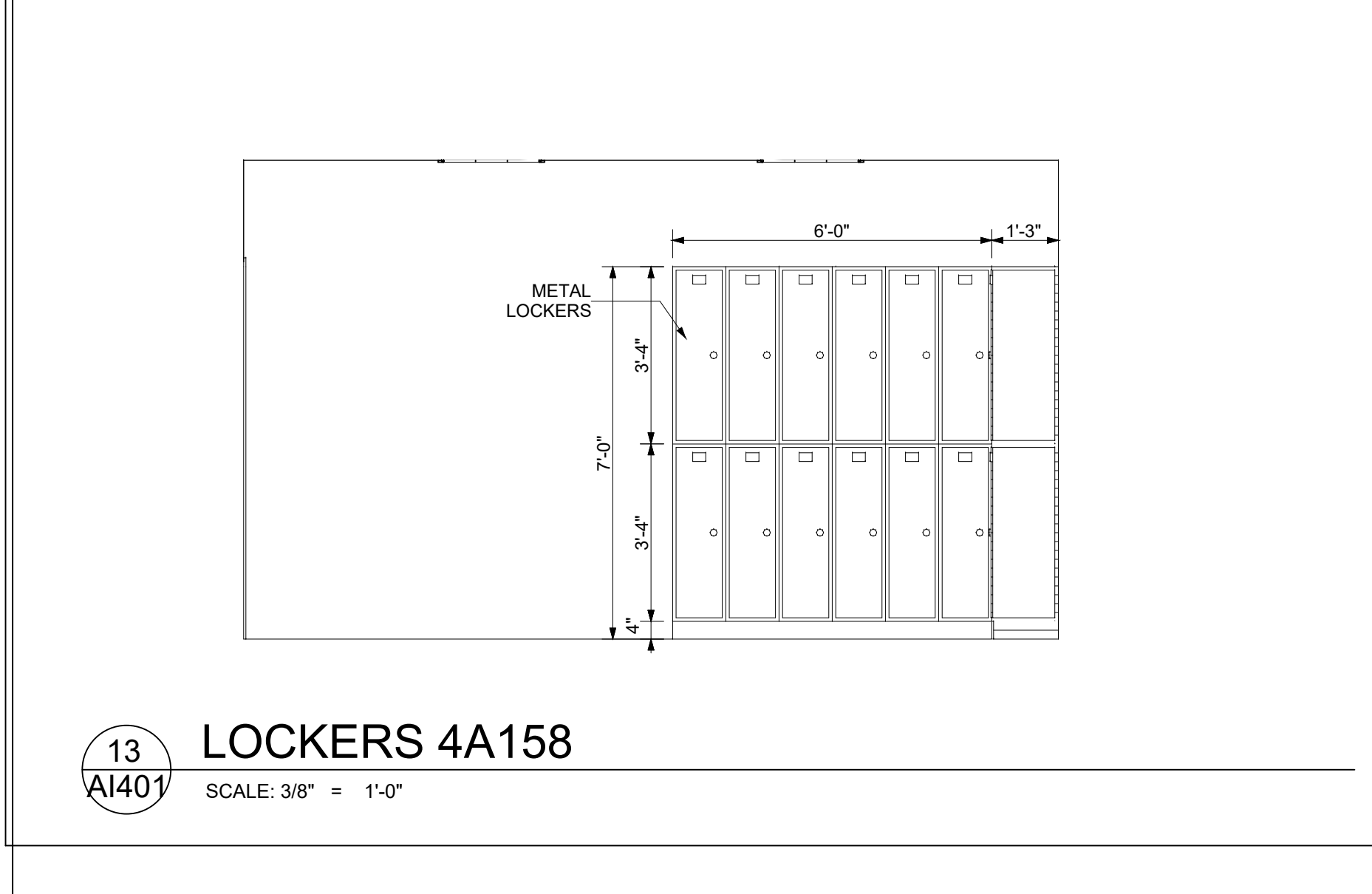
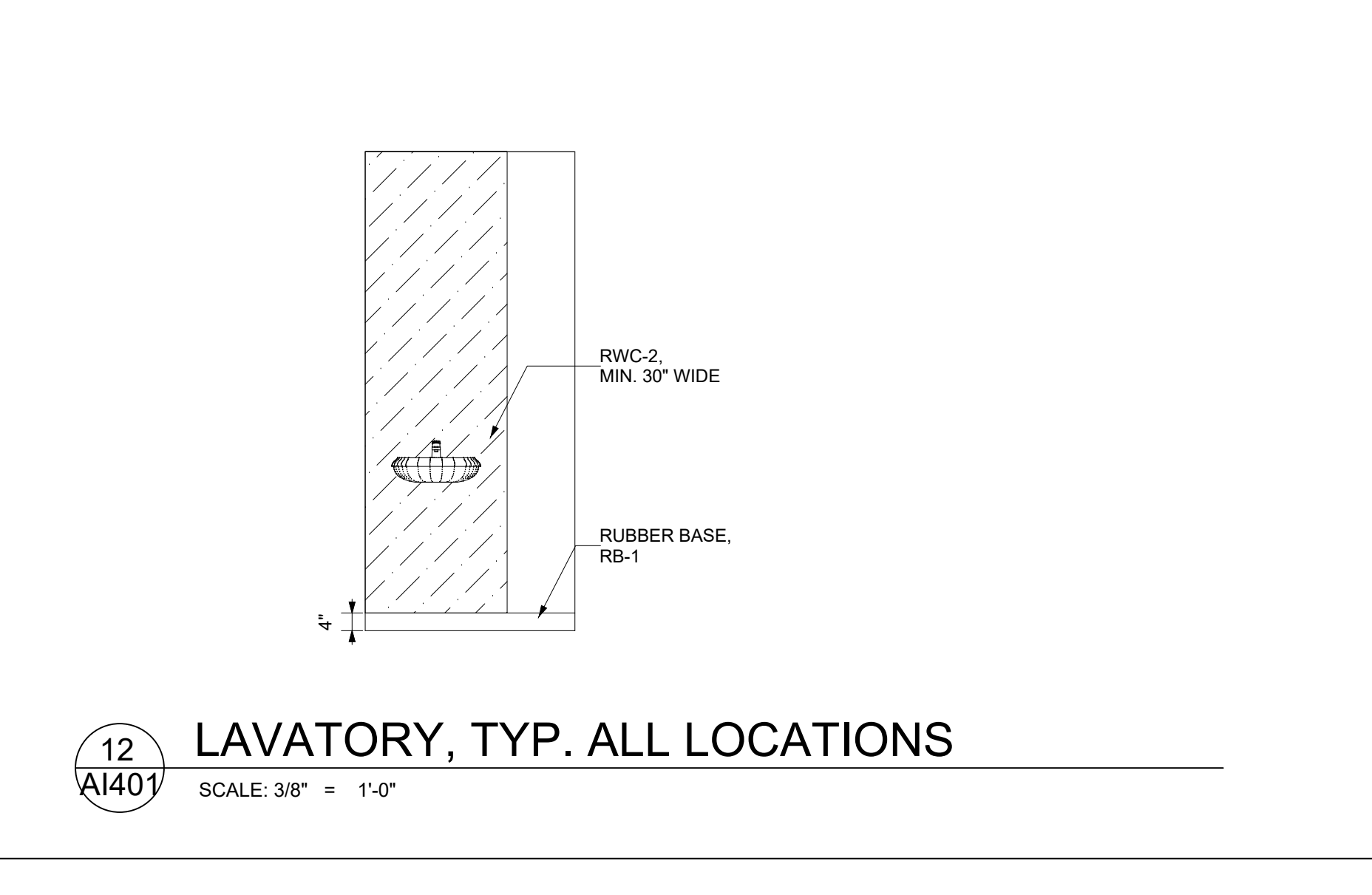
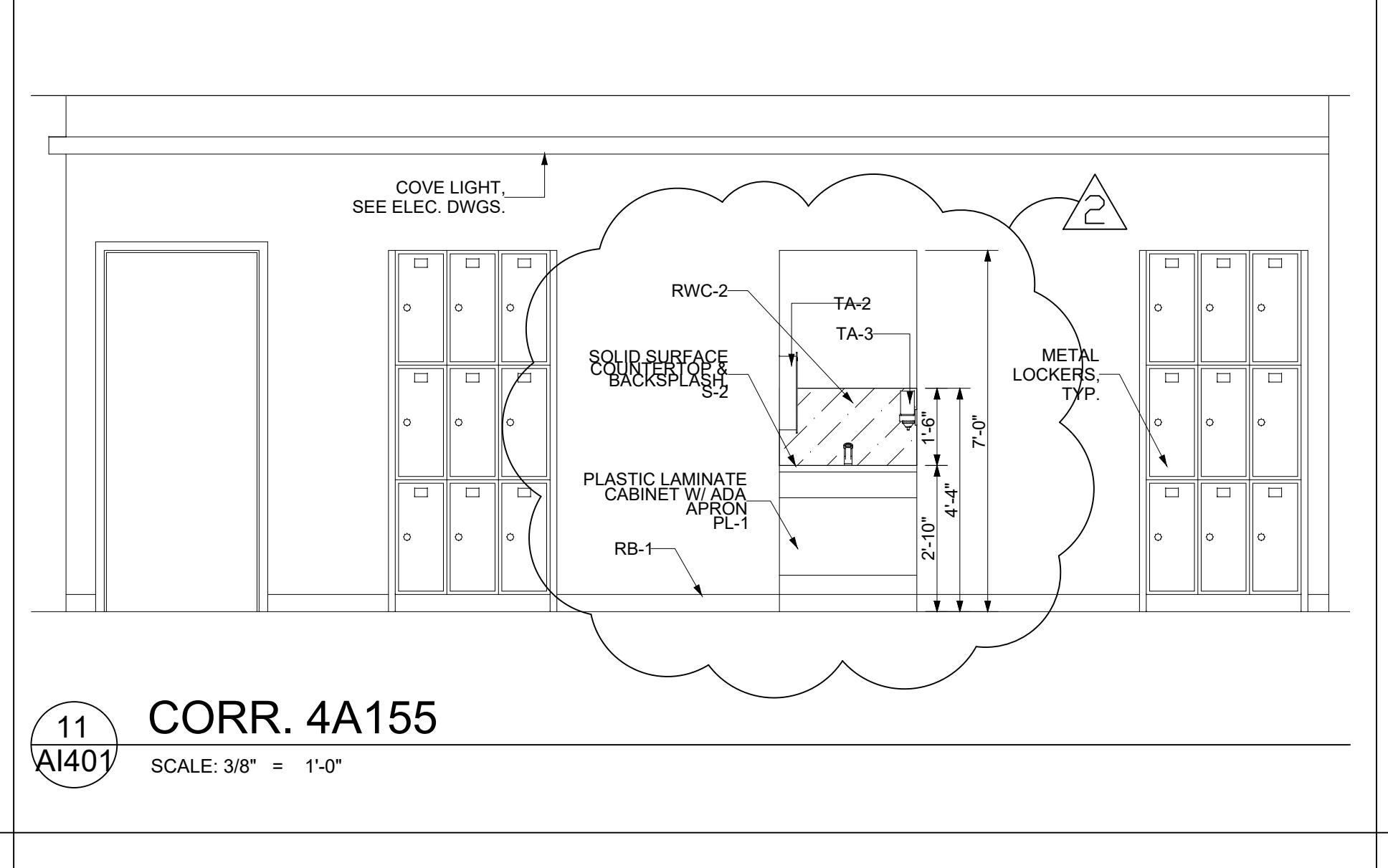
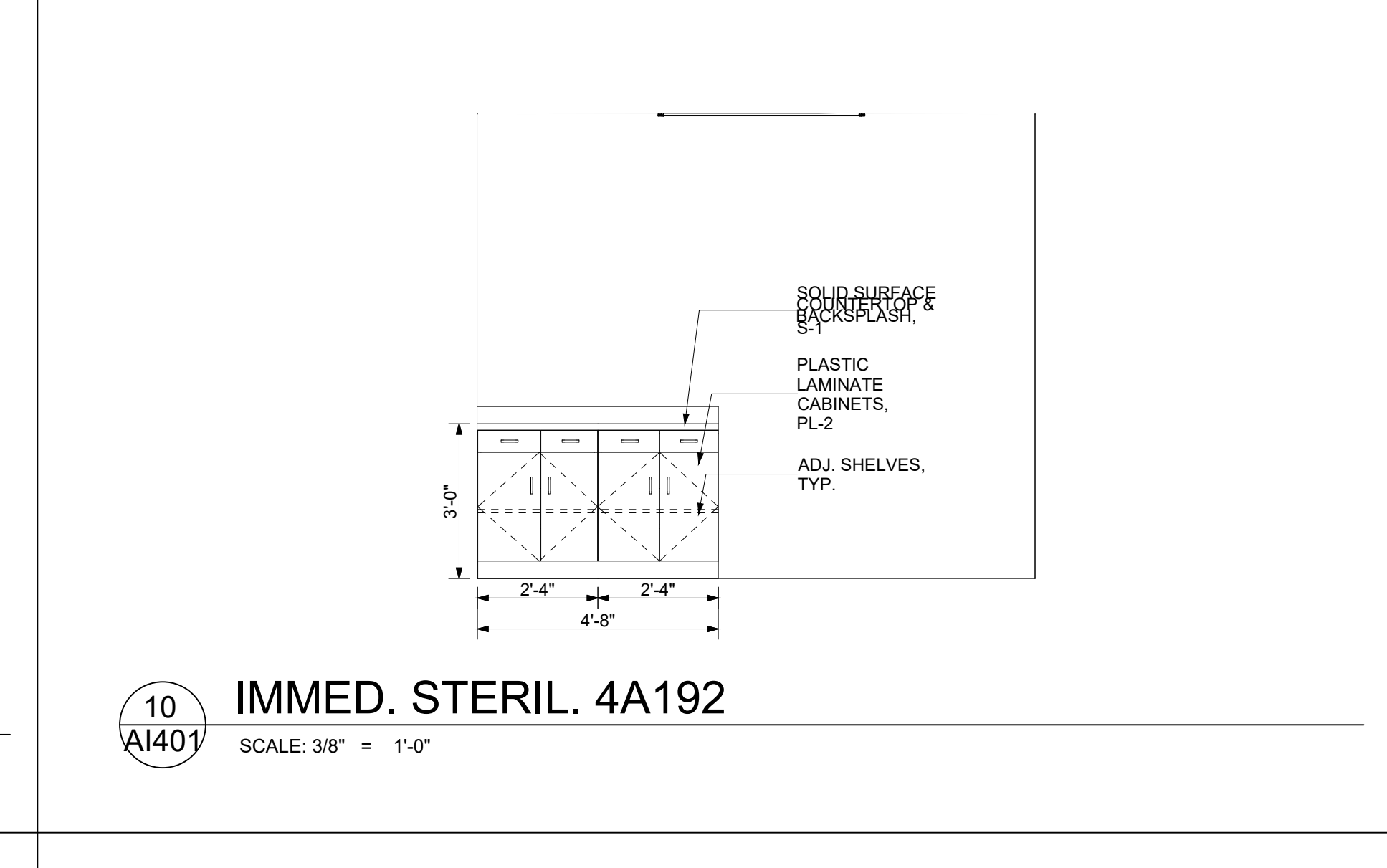
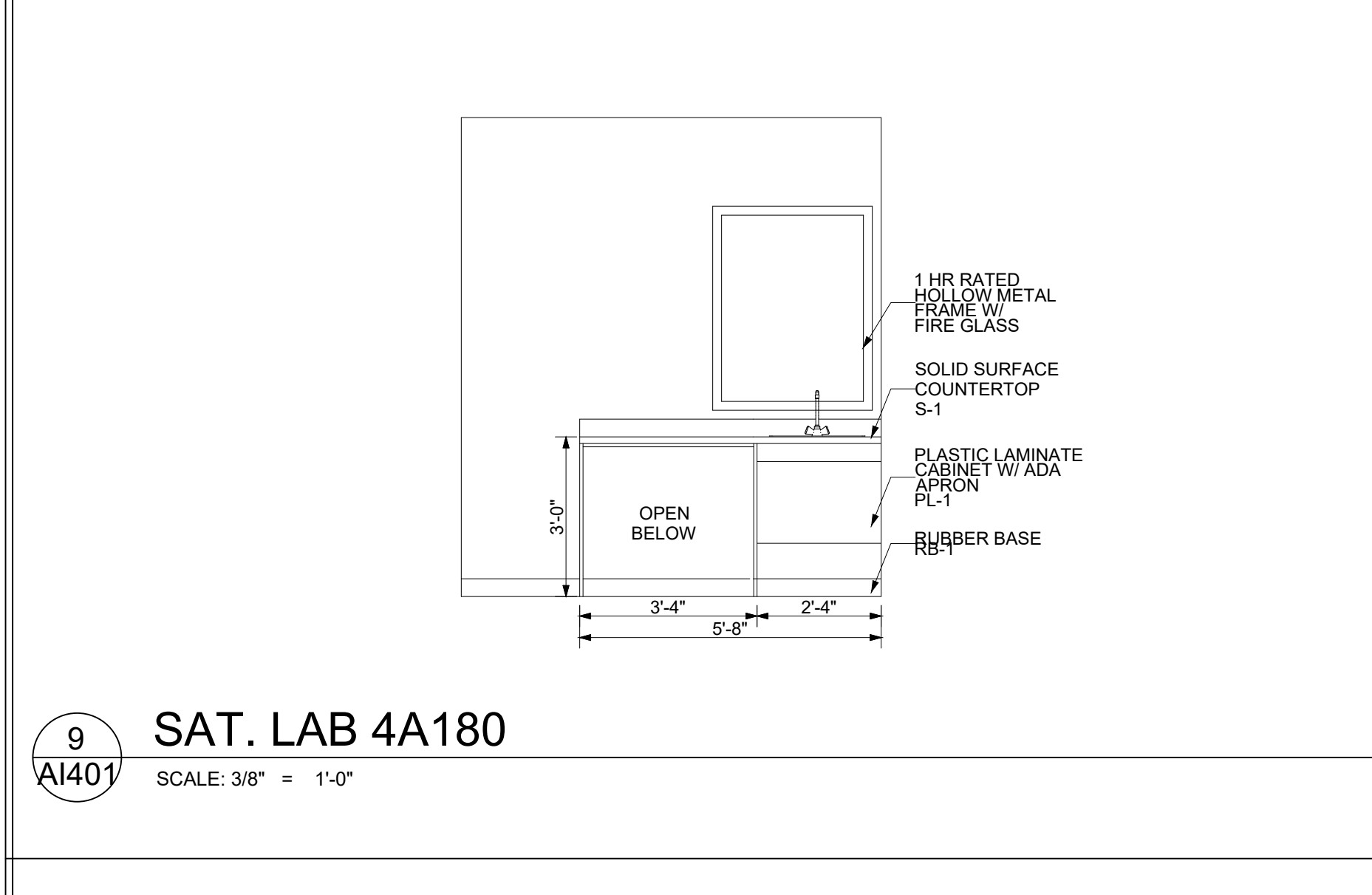
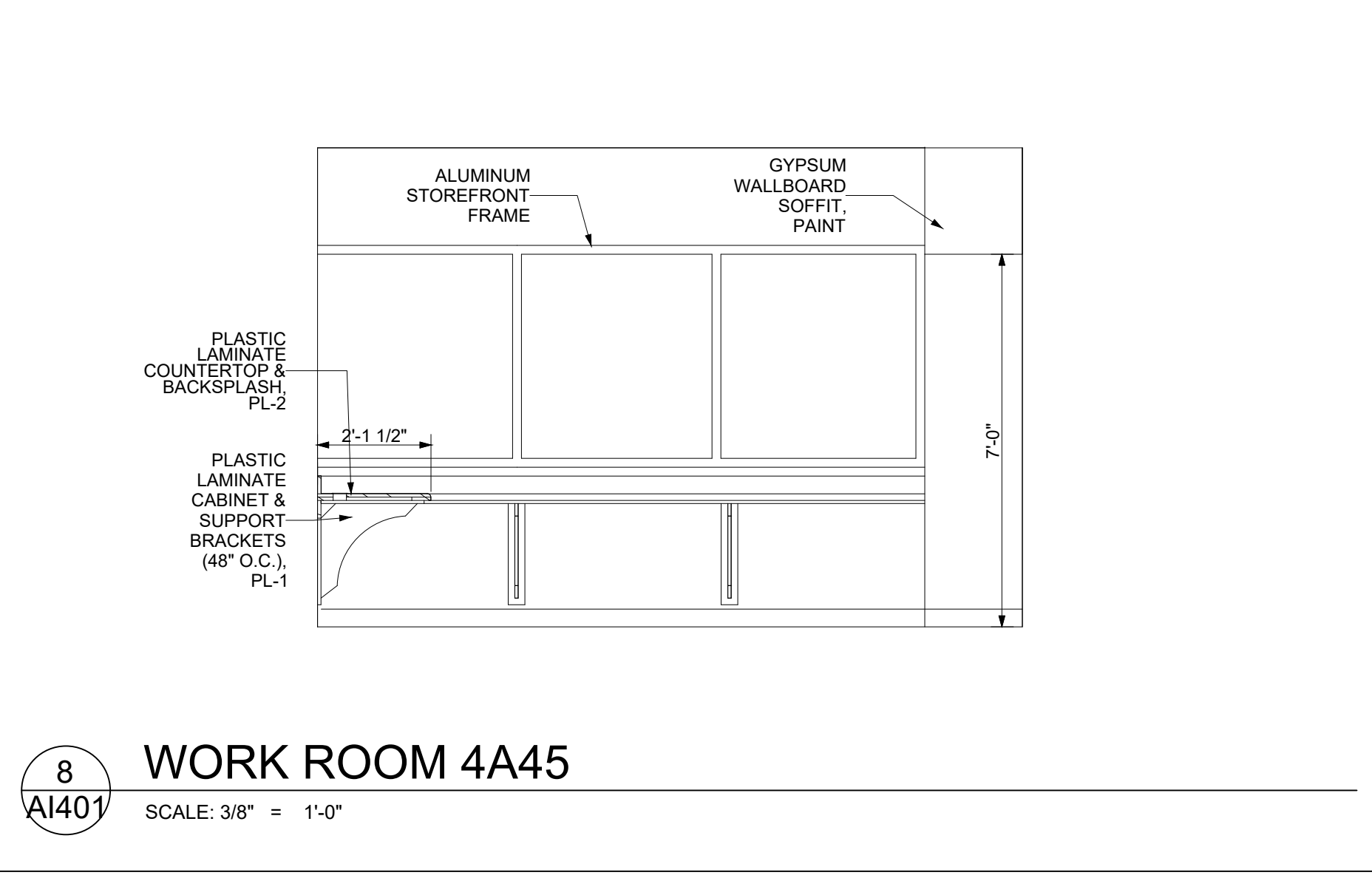
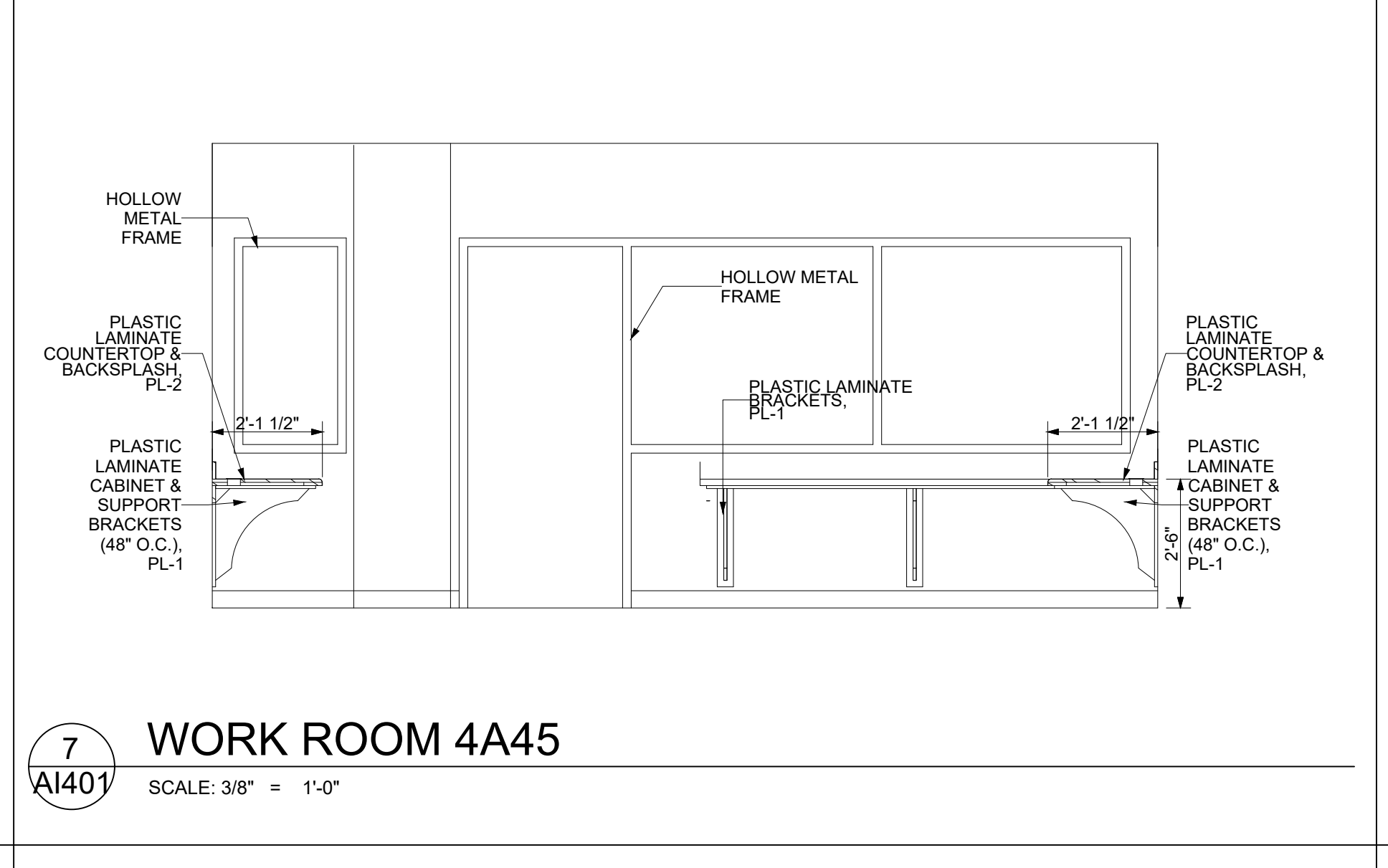
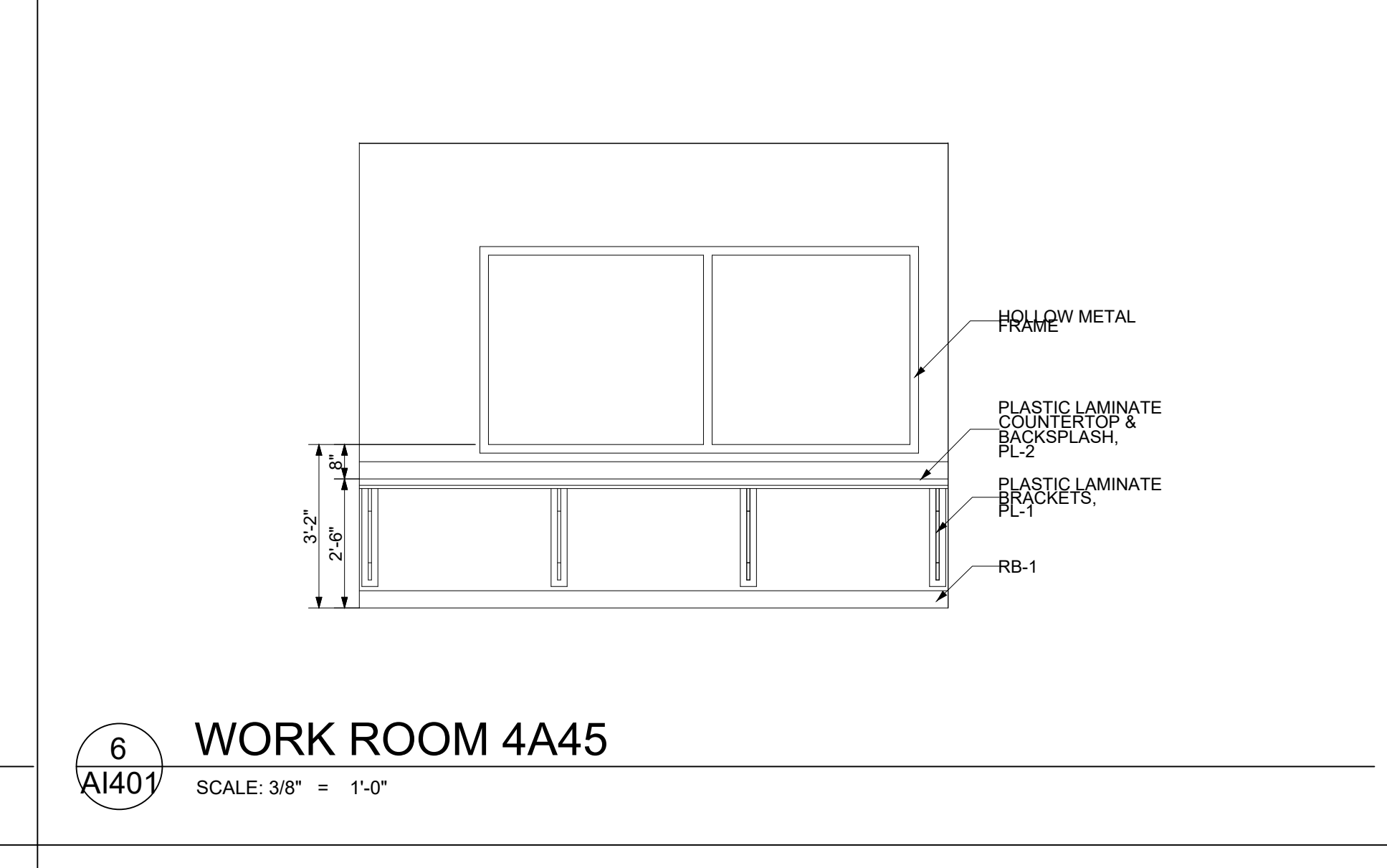
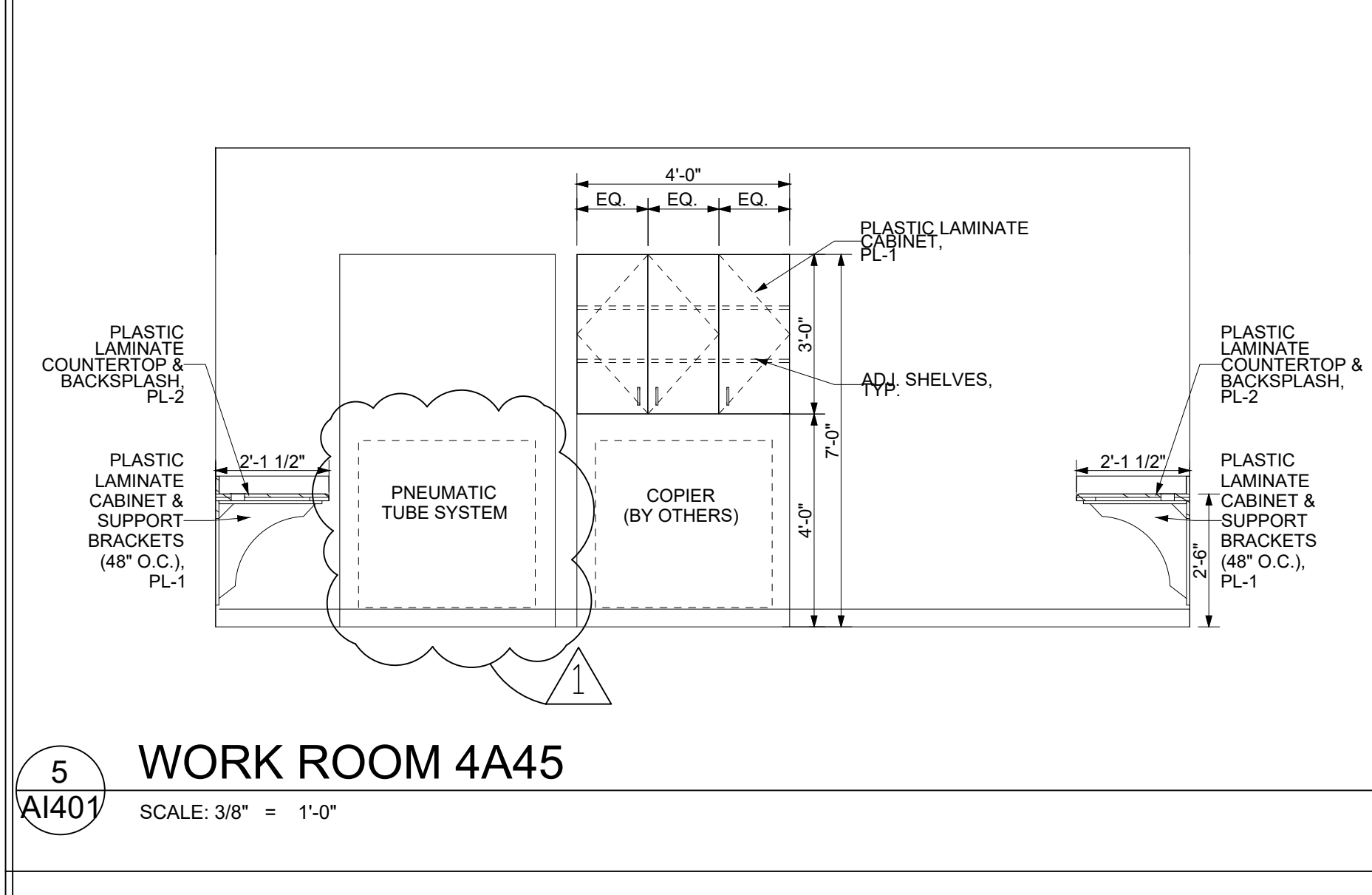
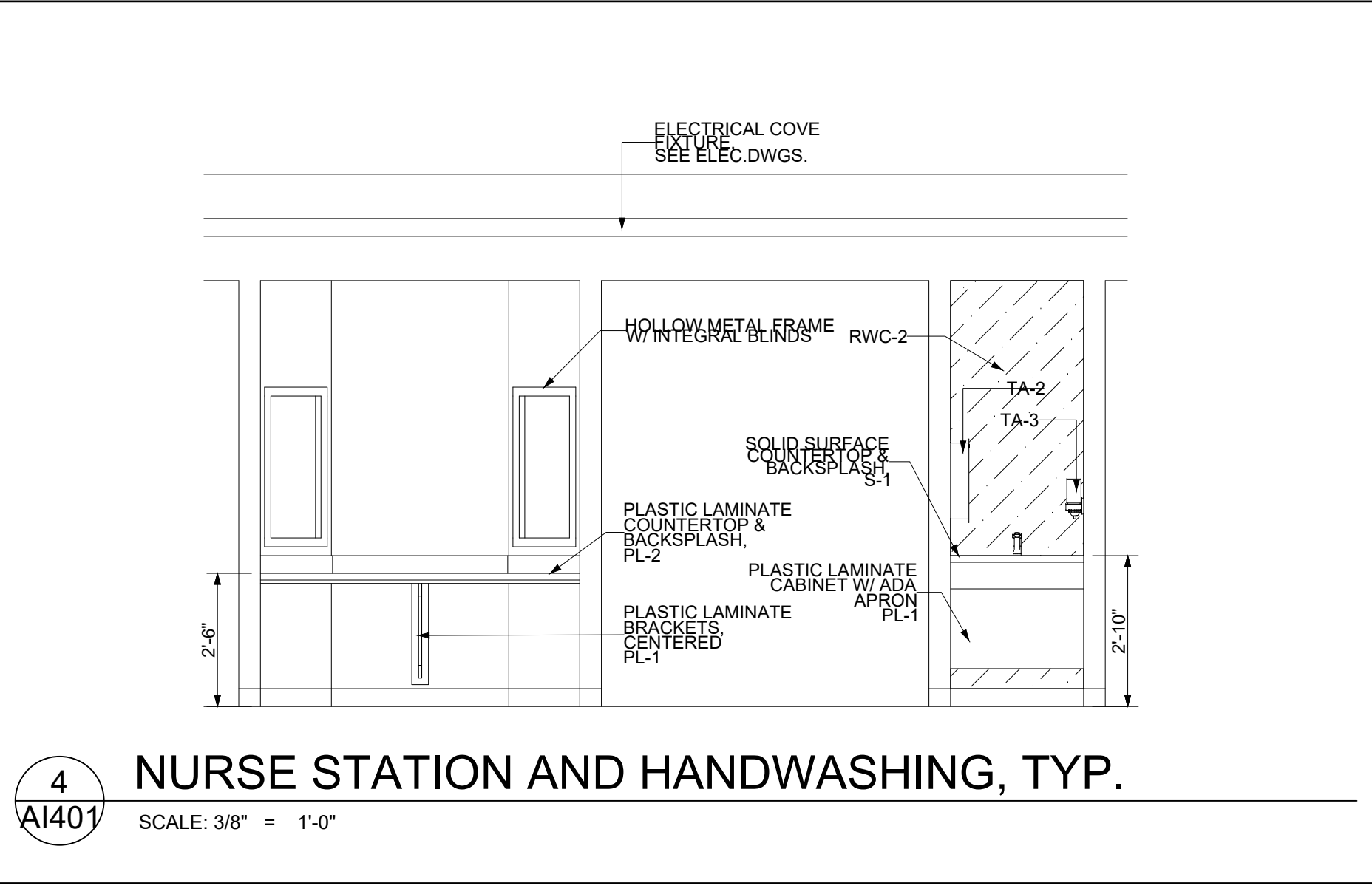
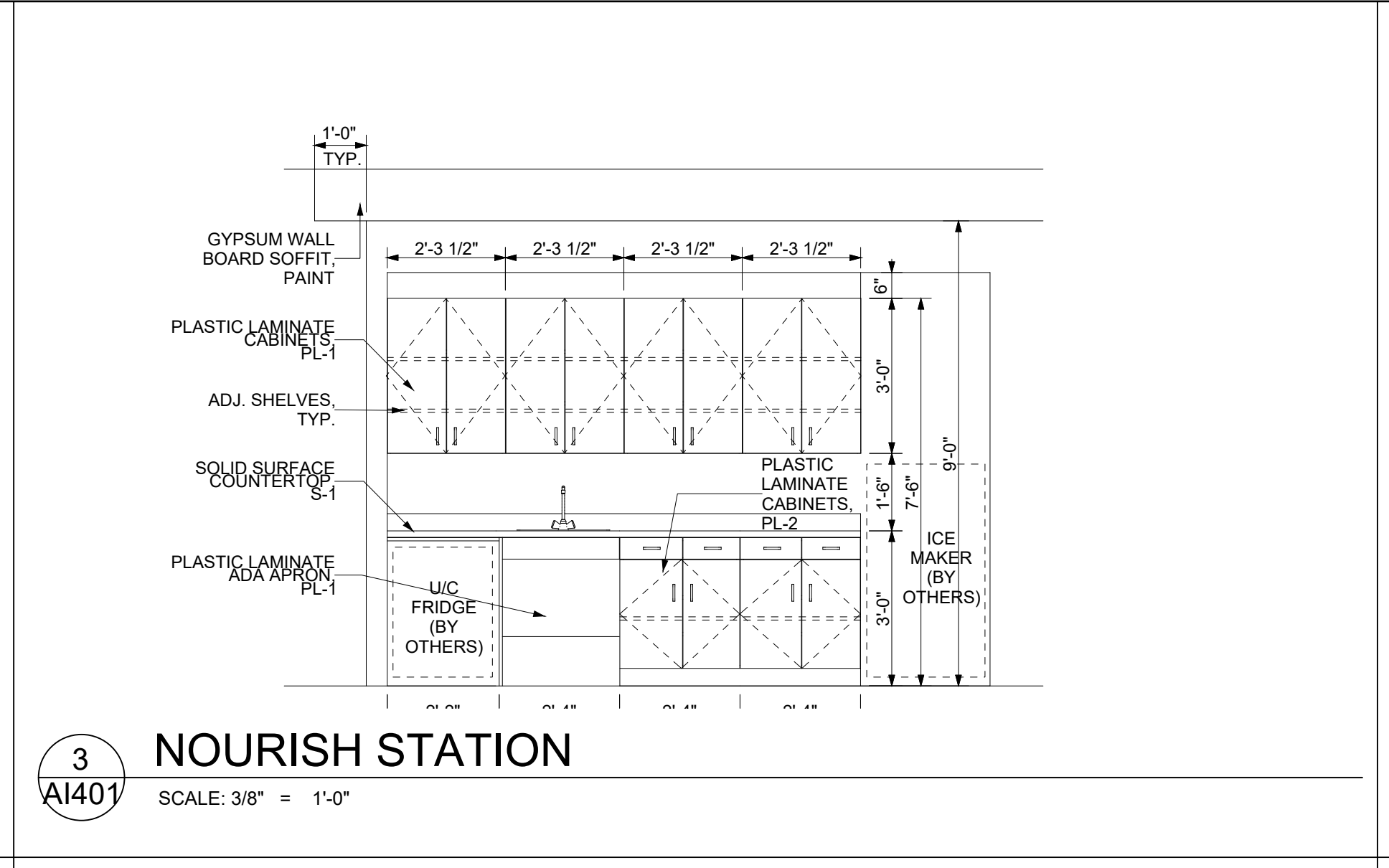
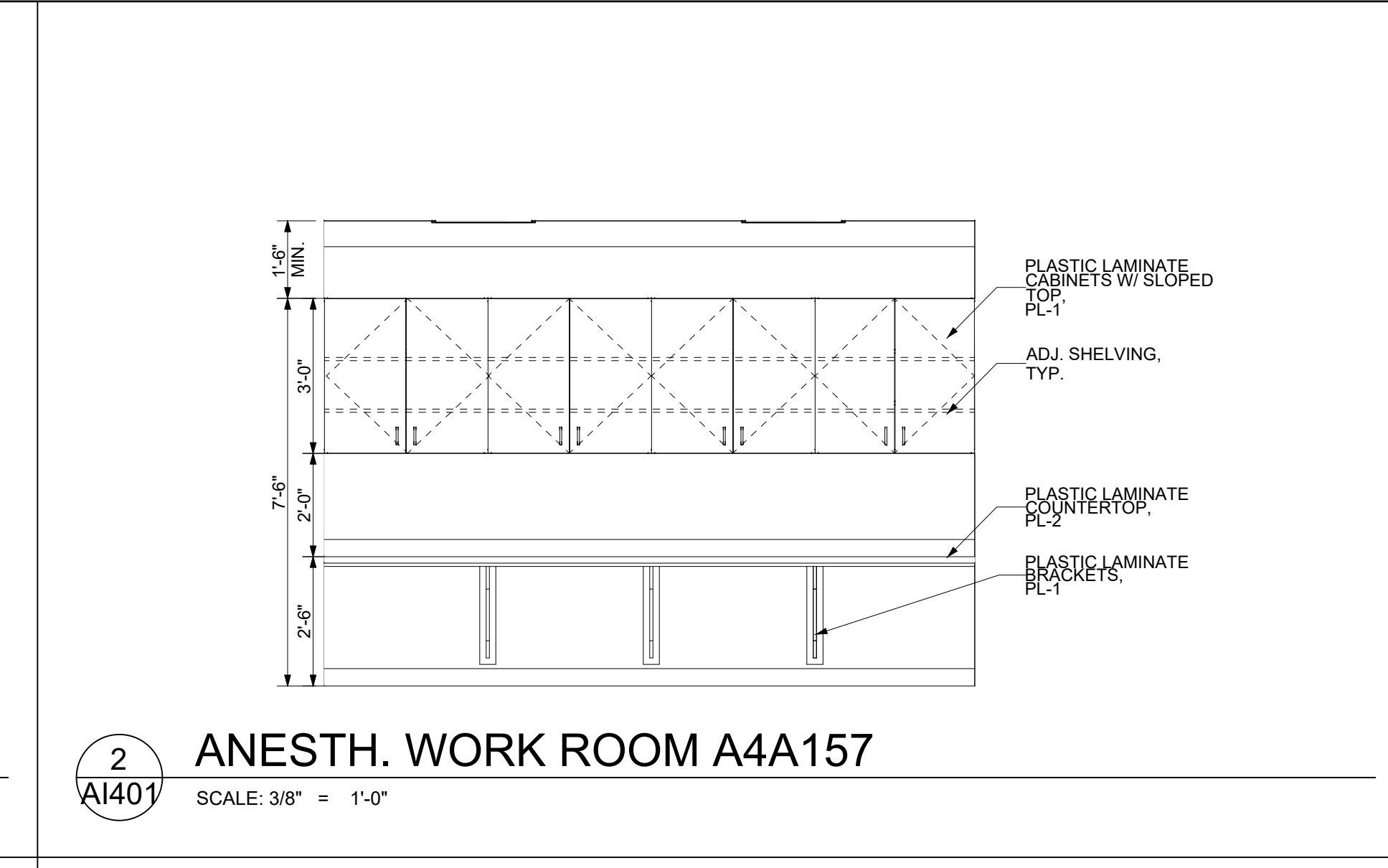
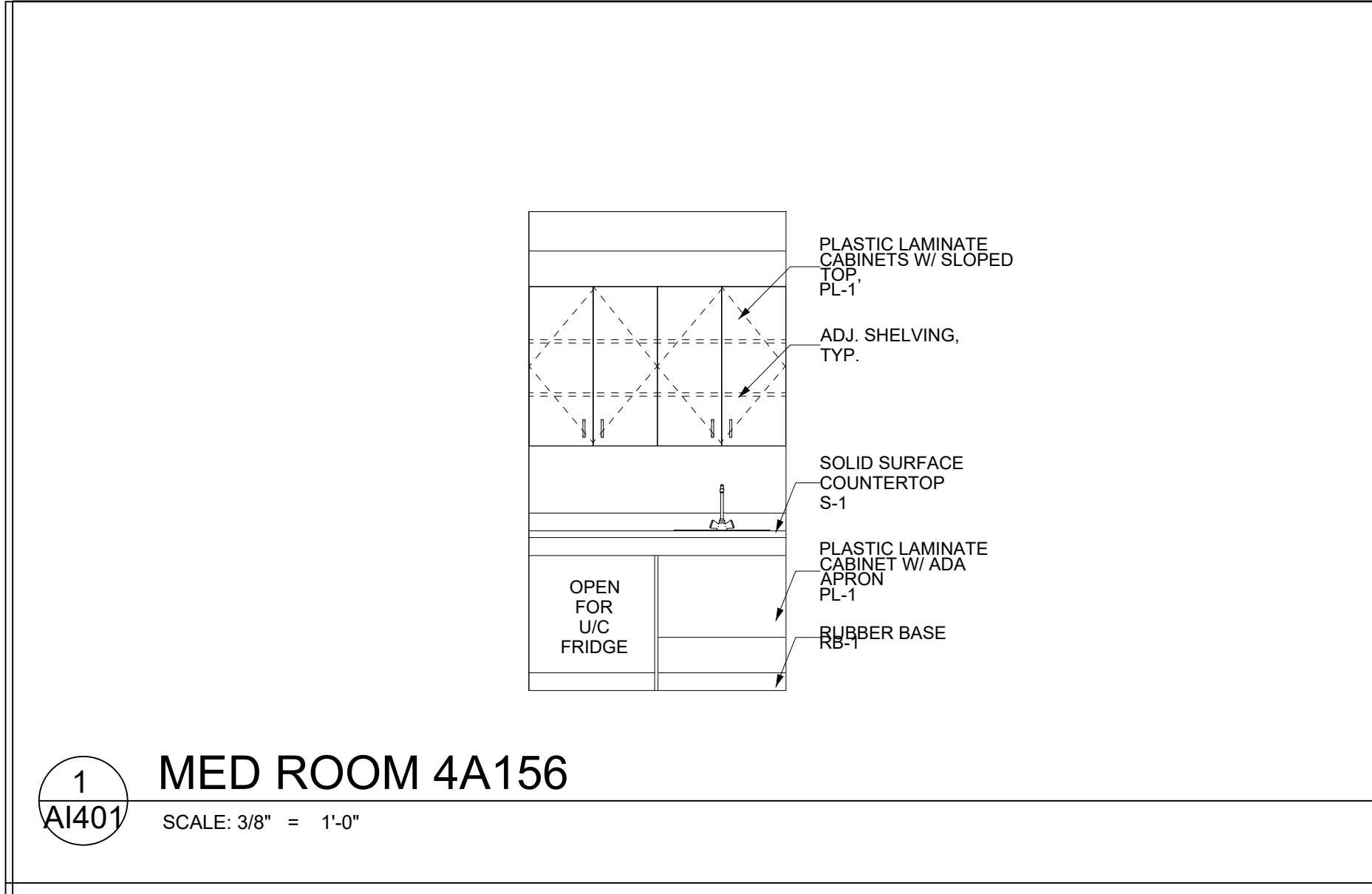
Building Number  
 100

Drawing Number  
**A405**

Office of  
 Construction  
 and Facilities  
 Management

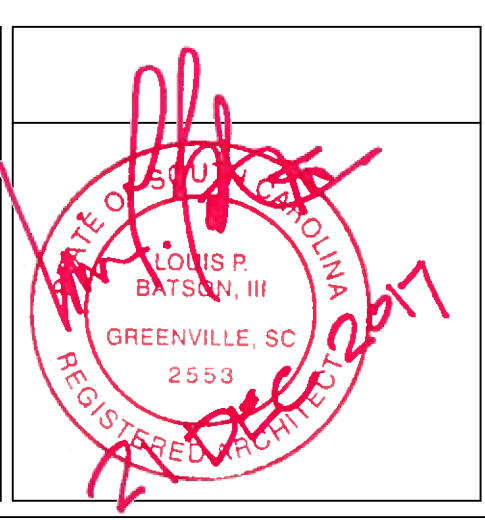
VA U.S. Department  
 of Veterans Affairs

three inches = one foot  
 one and one half inches = one foot  
 one inch = one foot  
 three quarters inch = one foot  
 one half inch = one foot  
 three eighths inch = one foot  
 one quarter inch = one foot  
 one eighth inch = one foot



DESCRIPTION-9	DATE-9
DESCRIPTION-8	DATE-8
DESCRIPTION-7	DATE-7
DESCRIPTION-6	DATE-6
DESCRIPTION-5	DATE-5
DESCRIPTION-4	DATE-4
DESCRIPTION-3	DATE-3
PRESOLICITATION RFI-2	08/09/18
PRESOLICITATION RFI-1	08/09/18
Revisions:	Date

CONSULTANTS:



ARCHITECT/ENGINEERS:

**VETERANS III ARCHITECTURE**  
 10-A North Louisville Street  
 Atlanta, GA 30304  
 (770) 556-0197

**ING CONSULTING INC**  
 550 11th Street  
 Augusta, GA 30901  
 (706) 774-1020

**EDC ELECTRICAL DESIGN CONSULTANTS**  
 1201 Broad Street, Suite 1-A  
 Augusta, GA 30901  
 (706) 724-3551

Drawing Title  
**INTERIOR ELEVATIONS**

Approved: Project Director  
 #Client Custom  
 #Client Custom  
 VAPAHCS PLANNING AND ENGINEERING

Project Title  
**100% BID SET  
 RENOVATE OR SUITE  
 #Project Description**

Project Number  
 544-16-100

Building Number  
 100

Location  
 -

Date  
 5/16/2018

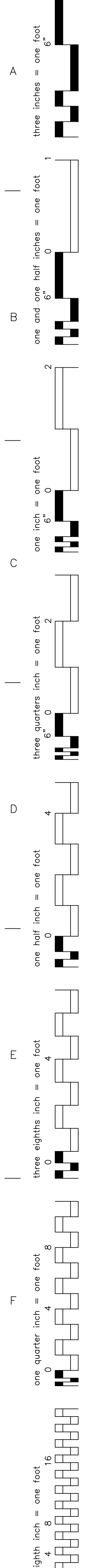
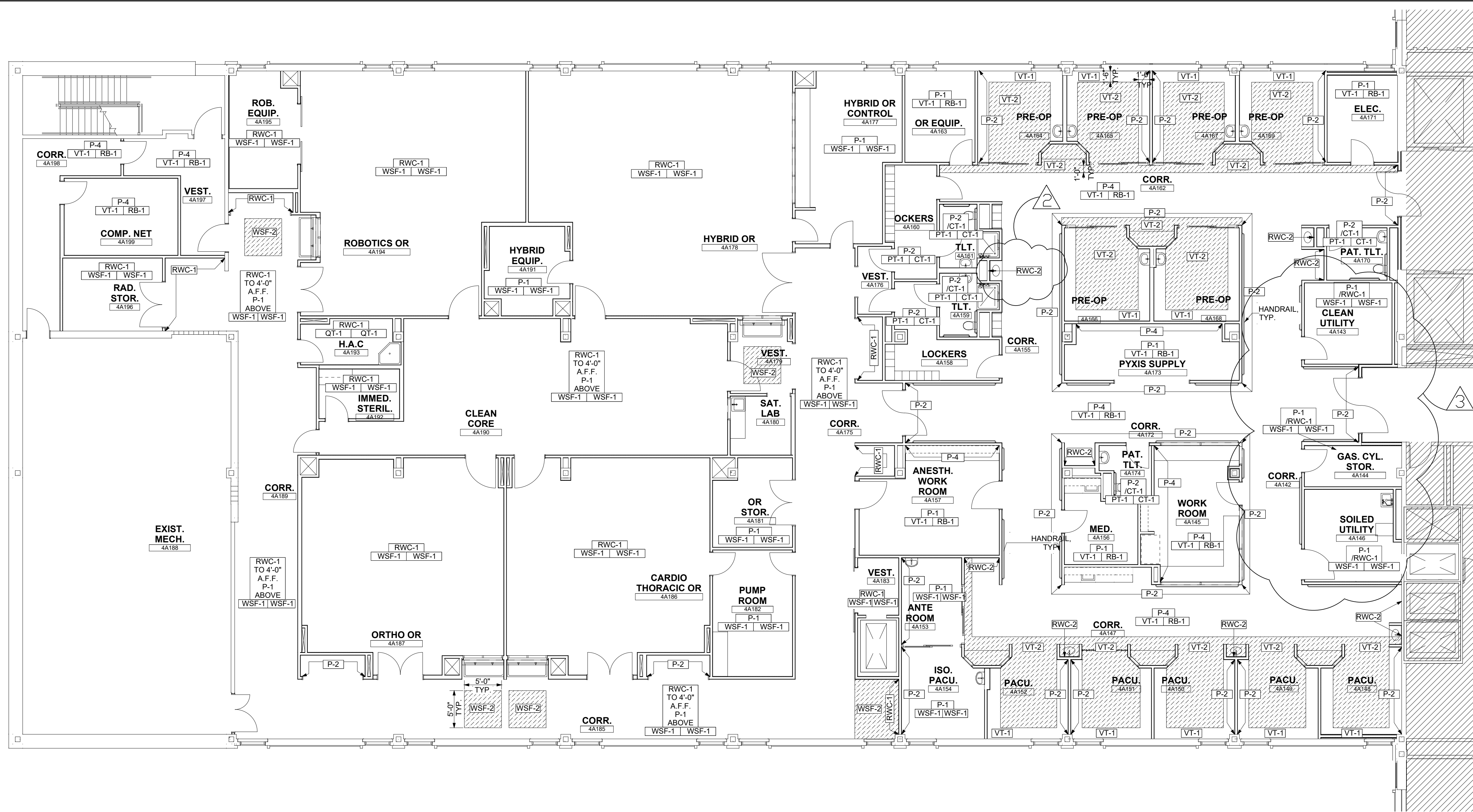
Checked  
 LPB3

Drawn  
 MSD

Drawing Number  
**AI401**

Dwg. -- of --

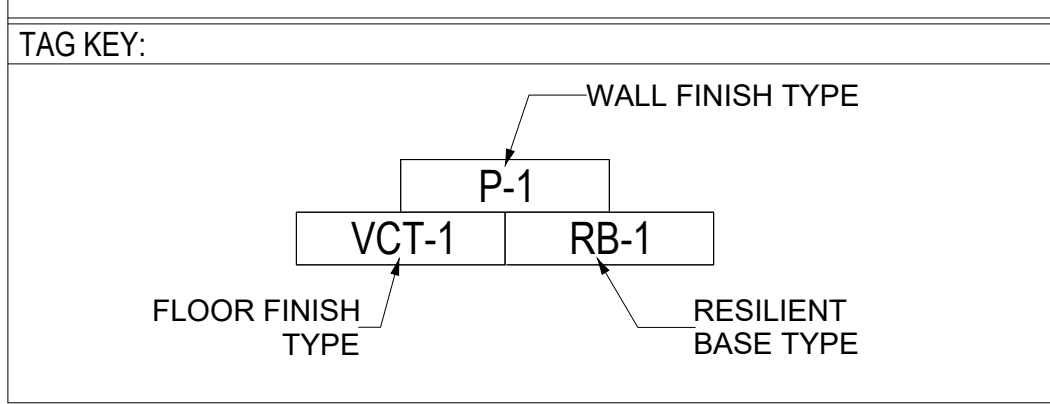
Office of  
 Construction  
 and Facilities  
 Management



FINISH SCHEDULE						
ROOM NO.	ROOM NAME	FLOOR	BASE	WALLS	WAINS	CEILING
3A300	DUMBWAITER ROOM	V	RB	GWB		AT
4A142	CORR.	VT	RB	GWB		AT
4A143	CLEAN UTILITY	WSF	WSF	GWB(SC)	RWC(4'-0")	AT(SP)
4A144	GAS. CYL. STOR.	WSF	WSF	GWB(SC)	RWC(4'-0")	GWB(SC)
4A145	WORK ROOM	VT	RB	GWB		AT
4A146	SOILED UTILITY	WSF	WSF	GWB(SC)	RWC(4'-0")	AT(SP)
4A147	CORR.	VT	RB	GWB		AT
4A148	PACU.	VT	RB	GWB(SC)		AT(SP)
4A149	PACU.	VT	RB	GWB(SC)		AT(SP)
4A150	PACU.	VT	RB	GWB(SC)		AT(SP)
4A151	PACU.	VT	RB	GWB(SC)		AT(SP)
4A152	PACU.	VT	RB	GWB(SC)		AT(SP)
4A153	ANTE ROOM	WSF	WSF	GWB(SC)		AT(SC)
4A154	ISO. PACU.	WSF	WSF	GWB(SC)		AT(SC)
4A155	CORR.	VT	RB	GWB		AT
4A156	MED.	WSF	WSF	GWB(SC)		AT(SP)
4A157	ANESTH. WORK ROOM	VT	RB	GWB(SC)		GWB(SC)
4A158	LOCKERS	VT	RB	GWB		AT
4A159	TLT.	PT	PT	GWB	CT(4'-0")	GWB(SC)
4A160	LOCKERS	VT	RB	GWB		AT
4A161	TLT.	PT	PT	GWB	CT(4'-0")	GWB(SC)
4A162	CORR.	VT	RB	GWB		AT
4A163	OR EQUIP.	VT	RB	GWB(SC)		GWB(SC)
4A164	PRE-OP	VT	RB	GWB(SC)		AT(SP)
4A165	PRE-OP	VT	RB	GWB(SC)		AT(SP)
4A166	PRE-OP	VT	RB	GWB(SC)		AT(SP)
4A167	PRE-OP	VT	RB	GWB(SC)		AT(SP)
4A168	PRE-OP	VT	RB	GWB(SC)		AT(SP)
4A169	PRE-OP	VT	RB	GWB(SC)		AT(SP)
4A170	PAT. TLT.	PT	PT	GWB	CT	AT
4A171	ELEC.	VT	RB	GWB		EXP
4A172	CORR.	VT	RB	GWB		AT
4A173	PYXIS SUPPLY	VT	RB	GWB		AT
4A174	PAT. TLT.	PT	PT	GWB	CT	AT
4A175	CORR.	VT	RB	GWB(SC)		AT(SC)
4A176	VEST.	WSF	WSF	GWB(SC)		AT(SC)
4A177	HYBRID OR CONTROL	WSF	WSF	GWB(SC)		GWB(SC)
4A178	HYBRID OR	WSF	WSF	GWB(SC)		GWB(SC)
4A179	VEST.	WSF	WSF	GWB(SC)		GWB(SC)
4A180	SAT. LAB	WSF	WSF	GWB(SC)		GWB(SC)
4A181	OR STOR.	WSF	WSF	GWB(SC)		GWB(SC)
4A182	PUMP ROOM	WSF	WSF	GWB(SC)		GWB(SC)
4A183	VEST.	WSF	WSF	GWB(SC)		GWB(SC)
4A185	CORR.	WSF	WSF	GWB(SC)		AT(SC)
4A186	CARDIO THORACIC OR	WSF	W	GWB(SC)		GWB(SC)
4A187	ORTHO OR	WSF	WSF	GWB(SC)		GWB(SC)
4A188	EXIST. MECH.	EFTR	EFTR	EFTR		EFTR
4A189	CORR.	WSF	WSF	GWB(SC)		AT(SC)
4A190	CLEAN CORE	WSF	W	GWB(SC)		GWB(SC)
4A191	HYBRID EQUIP.	WSF	WS	GWB(SC)		GWB(SC)
4A192	IMMED. STERIL.	WSF	WSF	GWB(SC)		GWB(SC)
4A193	H.A.C.	QT	QT	GWB(SC)	PT(4'-0")	AT(SP)
4A194	ROBOTICS OR	WSF	WSF	GWB(SC)		GWB(SC)
4A195	ROB. EQUIP.	WSF	WSF	GWB(SC)		AT(SC)
4A196	RAD. STOR.	WSF	WSF	GWB(SC)		AT(SC)
4A197	VEST.	VT	RB	GWB		AT
4A198	CORR.	VT	RB	GWB		AT
4A199	COMP. NET	VCT	RB	GWB		EXP
4ACAR	CONSTRUCTION ANTE ROOM	EFTR	EFTR	EFTR		EFTR

13 FOURTH FLOOR FINISH PLAN

SCALE: 1/8" = 1'-0"



**FINISH LEGEND**

**PAINT - P**  
P-1: SHERWIN WILLIAMS, SW 7008, ALABASTER (Field)  
P-2: SHERWIN WILLIAMS, SW 6220, INTERESTING AQUA, (Accent)  
P-3: SHERWIN WILLIAMS, SW 6073, PERFECT GREIGE, (Yellow Metal Frames)  
P-4: SHERWIN WILLIAMS, SW 6071, POPULAR GRAY (Field)

**VINYL COMPOSITION TILE - VT**  
VT-1: MANNINGTON VCT PROGRESSIONS, ALMOND BUFF 65307 (Field)  
VT-2: MANNINGTON VCT PROGRESSIONS, COLONY 55110 (Accent)

**WELDED SEAM SHEET FLOOR - WSF**  
WSF-1: ALTRO SYMPHONIA, CRYSTAL PH2007 (Field)  
WSF-2: ALTRO SYMPHONIA, PORPOISE PH2033 (Accent)

**RUBBER BASE - RB**  
RB-1: JOHNSONITE, FAWN 80, 4" ROLLED GOODS

**PLASTIC LAMINATES - PL**  
PL-1: WILSONART, HYSCIOUS CHERRY, 7988-38 (Cabinets)  
PL-2: WILSONART, EVENING TIGRIS, 4674-60 (Countertop & Backsplash - Dry Locations)

**SOLID SURFACE - S**  
S-1: CORIAN, MAJI (Countertops & Backsplash - Wet Locations)  
S-2: CORIAN, PLATINUM (Wall Hung Sink Backer Panels, 30"x48", 1/8" Radius Front Edge, 1/2" Radius Corners)

**CERAMIC TILE - CT**  
CT-1: KAISER TILE, SWEET SIXTEEN SERIES, 4X16 FIELD TILE, COCONUT MATTE  
CT-2: KAISER TILE, SWEET SIXTEEN SERIES, 9X9 COVERS, COCONUT MATTE  
CT-3: KAISER TILE, SWEET SIXTEEN SERIES, 1/3 X 8 BULLNOSE, COCONUT MATTE

**PORCELAIN TILE - PT**  
PT-1: KAISER TILE, SWEET SIXTEEN SERIES, 24X24 FLOOR TILE, SUGAR

**RIGID VINYL WALL COVERING - RWC**  
RWC-1: ALTRO, WHITEROCK, CREAM LRV 83  
RWC-2: ALTRO, WHITEROCK, MOCHA LRV 41

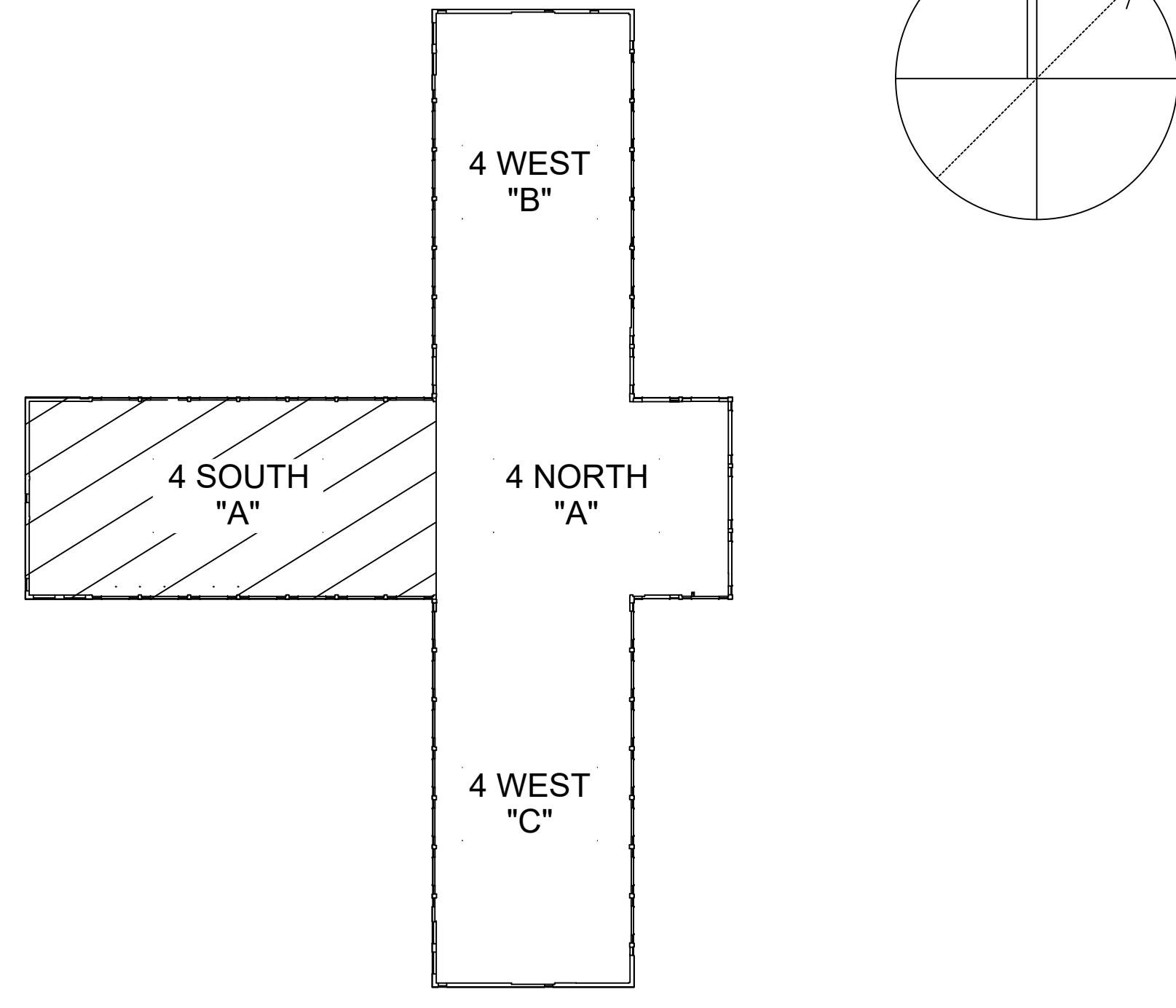
**QUARRY TILE - QT**  
QT-1: DAL TILE, QUARRY TILE, 6X6X1/2 ABR SAM DQ46 ARID FLASH STD

**CURTAINS**  
PRIVACY CUBICLE CURTAINS: SIMPLY 66 NAME BRAND CUBICLE CURTAINS - SNAP SYSTEM WHITE MESH  
CUBICLE CURTAIN PANELS: MAHARAM ENIRCLE, CUSTOM TUSCANY  
SHOWER CURTAIN OVERLY FABRIC PANELS - MAHARAM FLOURISH, MIST  
SHOWER CURTAIN PANEL, DUNE

**GENERAL NOTES:**  
1. ALL EXISTING CONCRETE FLOORS SHALL RECEIVE CONCRETE SEALER.  
2. WALLS SHALL RECEIVE SATIN PAINT FINISH, DOORS AND TRIM SHALL RECEIVE SEMI-GLOSS.

21 FIRST FLOOR PLAN

SCALE: 1/64" = 1'-0"



DESCRIPTION-9	DATE-9
DESCRIPTION-8	DATE-8
DESCRIPTION-7	DATE-7
DESCRIPTION-6	DATE-6
DESCRIPTION-5	DATE-5
DESCRIPTION-4	DATE-4
PRESOLICITATION RFI-3	08/09/18
PRESOLICITATION RFI-2	08/09/18
PRESOLICITATION RFI-1	08/09/18
Revisions:	Date

**CONSULTANTS:**


**ARCHITECT/ENGINEERS:**

**ETERNAS 1ST ARCHITECTURE**  
10-A North Louisville Street  
Atlanta, GA 30314  
(404) 556-0197  
Project Number: V16-01

**ING CONSULTING INC**  
650 11th Street  
Augusta, GA 30901  
(706) 774-1020

**ELECTRICAL DESIGN CONSULTANTS**  
1201 Broad Street, Suite 1-A  
Augusta, GA 30901  
(706) 724-3551 Office (706) 724-8507 Fax  
Project Number: 16110

**VETERANS 11 ARCHITECTURE**

**Drawing Title**  
FINISH SCHEDULE & PATTERN PLAN

**Project Location**  
WM. JENNINGS BRYAN DORN  
VA MEDICAL CENTER

**Project Title**  
100% BID SET  
RENOVATE OR SUITE

**Location**  
6439 GARNERS FERRY ROAD COLUMBIA, SC

**Date**  
5/16/2018

**Checked**  
LPB3

**Drawn**  
MSD

**Project Number**  
544-16-100

**Building Number**  
100

**Drawing Number**  
AF400

Office of  
Construction  
and Facilities  
Management

VA U.S. Department  
of Veterans Affairs