



SURFACE MOUNTED CORNER GUARDS

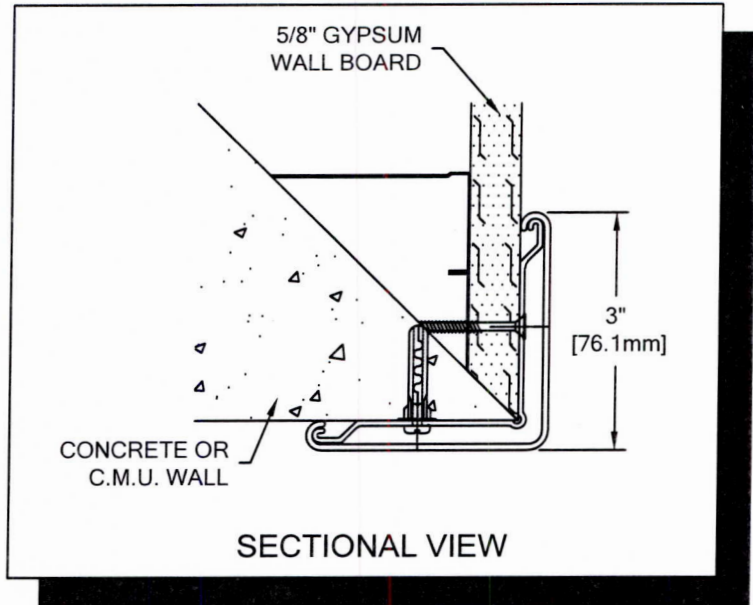
PLEASE READ

PLEASE READ THESE INSTRUCTIONS THOROUGHLY PRIOR TO BEGINNING THE SURFACE MOUNTED CORNER GUARD INSTALLATION!

THIS INSTRUCTION SHEET IS INTENDED TO PROVIDE A SPECIFIC GUIDE TO FOLLOW FOR THE INSTALLATION OF THIS SURFACE MOUNTED CORNER GUARD. CONTAINED WITHIN IS THE TECHNICAL INFORMATION AND INSTALLATION TECHNIQUES REQUIRED TO COMPLETE AN EFFICIENT, NEAT AND LONG-LASTING INSTALLATION.

INSPECT ALL MATERIALS FOR DAMAGE OR MISSING PARTS. IF YOU DISCOVER DAMAGED OR MISSING MATERIALS, IN THE USA PLEASE NOTIFY THE FACTORY AT (800) 233-8493, AND IN CANADA (888) 895-8955 FOR CUSTOMER SERVICE.

SURFACE MOUNTED CORNER GUARD MUST BE INSTALLED IN ACCORDANCE WITH THESE INSTRUCTIONS! FAILURE TO FOLLOW THESE INSTRUCTIONS MAY VOID ANY PRODUCT WARRANTIES AND RESULT IN AN UNSUCCESSFUL INSTALLATION. FOR SPECIFIC QUESTIONS REGARDING THE INSTALLATION OF THIS SURFACE MOUNTED CORNER GUARD PLEASE CALL THE FACTORY IN THE USA AT (800) 233-8493 OR EMAIL IWPFIELDTECH@C-SGROUP.COM. IN CANADA CALL (888) 895-8955 .



IMPORTANT NOTES

1. ALL LINEAL MATERIAL TO BE SUPPLIED IN STOCK LENGTHS. ALUMINUM AND ACROVYN IN LENGTHS UP TO 20'-0". THIS MATERIAL IS TO BE FIELD CUT USING QUALITY EQUIPMENT TO INSURE THAT ALL CUTS ARE SQUARE. WHEN CUTTING MATERIAL SECTIONS, C/S RECOMMENDS USING AN 80-100 TOOTH CARBIDE TIPPED SAW BLADE OR EQUIVALENT, TO MINIMIZE CHIPPING AND MAINTAIN JOINT ALIGNMENT.
2. ALL DIMENSIONS ARE TYPICAL.
3. FOR DRYWALL/PLASTER WALL CONSTRUCTION, IT IS RECOMMENDED FOR FASTENERS TO BE ENGAGED INTO METAL/WOOD STUDS TO MAINTAIN MAXIMUM PULLOUT STRENGTH.
4. MATERIAL MUST REACH 65°F MIN. TO 75°F MAX. 24 HOURS PRIOR TO INSTALLATION. THIS IS ESSENTIAL TO MINIMIZE EXPANSION AND CONTRACTION OF MATERIAL.
5. FASTENERS ARE TO BE STAGGERED BY 2" [50.8mm] TO AVOID INTERFERENCE AND SPALLING OF THE MASONRY WALL.
6. FOR MORE INFORMATION ON SURFACE MOUNTED CORNER GUARDS SEE OUR WEBSITE AT www.c-sgroup.com/acrovyn/corner-guards.

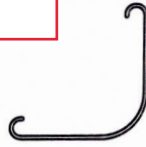
SURFACE MOUNTED CORNER GUARDS

COMPONENTS & WALL FASTENERS

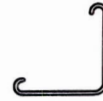


SM-20N ACROVYN COVER
(24U002xxx)
ACROVYN CHAMELEON COVER
(24U634xxx)

3"x3"



SM-10N ACROVYN COVER
(24U130xxx)
ACROVYN CHAMELEON COVER
(24U963xxx)



SSM-20N ACROVYN COVER
(24U004xxx)
ACROVYN CHAMELEON COVER
(24U622xxx)



SM-20N ALUMINUM RETAINER
(24A339000)
VINYL RETAINER
(24U027000)



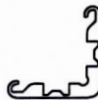
SM-10N ALUMINUM RETAINER
(24A341000)



SSM-20N ALUMINUM RETAINER
(24A340000)
VINYL RETAINER
(24U029000)

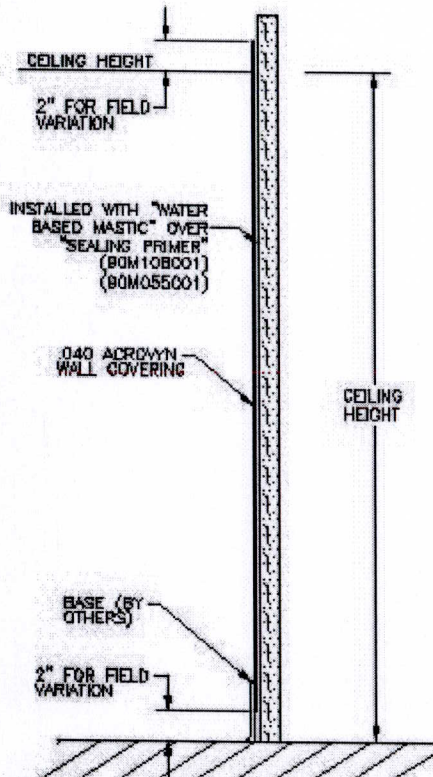


SM-20N END CAP - (24I068xxx)
SM-20N CHAMELEON CAP - (24I646xxx)
SM-10N END CAP - (24I126xxx)
SM-10N CHAMELEON CAP - (24I993xxx)
SSM-20N END CAP - (24I070xxx)
SSM-20N CHAMELEON CAP - (24I622xxx)



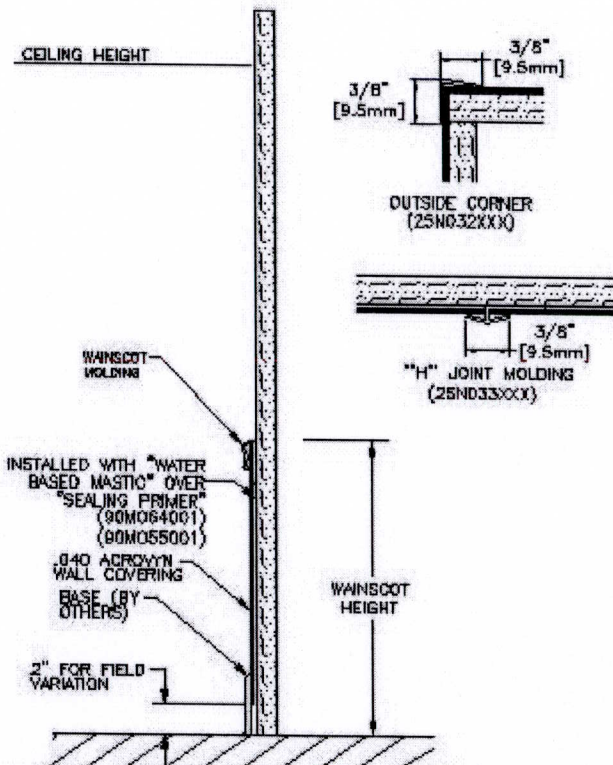
OPTIONAL ACCENT REVEAL
SM-20N - (24I099xxx)
SSM-20N - (24I100xxx)

WALL CONDITION	SPECIFIED FASTENER	DRILL DIAMETERS		C/S PART NUMBER
		WALL	RETAINER	
STEEL STUD/GYPSUM WALL WOOD STUD/GYPSUM WALL	#6 X 1 5/8" BUGLE HEAD SHEET METAL SCREW	N/A	1/8"	90H079002
CONCRETE/CONCRETE BLOCK	AF-6 PLASTIC ANCHOR #10 X 1 1/2" PHILLIPS PAN HEAD SMS	1/4"	9/32"	90H039004 90H189002
CONCRETE/CONCRETE BLOCK END CAP ATTACHMENT	1/8" BLIND RIVET #8 SAE FLAT WASHER STEEL PLATED	N/A	5/32"	90H111002 90H010003



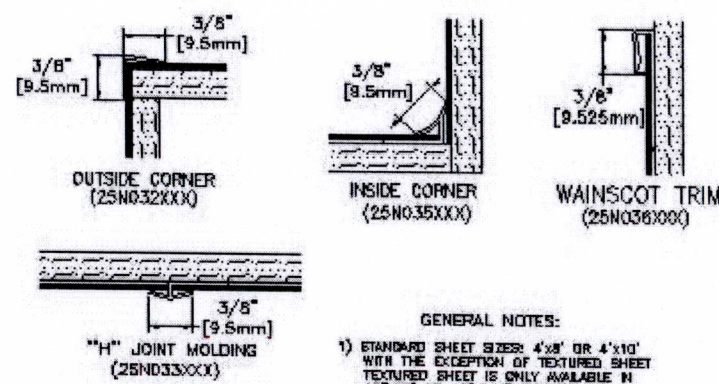
MATERIAL TO BE SUPPLIED IN 4'x8' OR 4'x10' SHEETS
 NO. 4'x 8' SHEETS REQ'D. (25S001XXX): _____
 NO. 4'x 10' SHEETS REQ'D. (25S018XXX): _____

**.040 ACROVYN
 AT FULL HEIGHT**

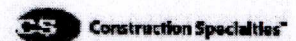


MATERIAL TO BE SUPPLIED IN 4'x8' OR 4'x10' SHEETS
 NO. 4'x 8' SHEETS REQ'D. (25S001XXX): _____
 NO. 4'x 10' SHEETS REQ'D. (25S018XXX): _____

**.040 ACROVYN
 AT PARTIAL HEIGHT**



- GENERAL NOTES:**
- STANDARD SHEET SIZES 4'x8' OR 4'x10' WITH THE EXCEPTION OF TEXTURED SHEET TEXTURED SHEET IS ONLY AVAILABLE IN 43\"/>
 - .040 ACROVYN WALL COVER IS SUPPLIED WITH A STANDARD PEBBLETTI TEXTURE. OPTIONAL TEXTURES AVAILABLE UPON REQUEST. AT AN ADDITIONAL COST. OPTIONAL TEXTURE SIZES ARE SUPPLIED IN 43\"/>
 - ALL TRIM MEMBERS SHALL BE SUPPLIED IN HIGH IMPACT VINYL/ACRYLIC ALLOY IN 10' LENGTHS.
 - TO INSURE PROPER INSTALLATION OF .040 ACROVYN COVERING, USE INSTALLATION SHEETS INCLUDED WITH EACH HARDWARE SHIPMENT.
 - COLOR SELECTION MUST BE INCLUDED WITH THE APPROVED DRAWINGS TO PREVENT ANY DELAYS IN THE SHIPMENT OF MATERIALS.
 - .040 ACROVYN WALL COVER IS AVAILABLE IN ANY OF 123 (10) STANDARD COLORS. CHAMELEON PATTERNS ARE AVAILABLE UPON REQUEST AT AN ADDITIONAL COST.



© 2009 Construction Specialties Inc
 6696 RT 405, Muncy, PA 17756 U
 895 Lakefront Pr, Mississauga, ON L5E 2

UM	MARK	LOCATION	MODEL	NOTES	PROJECT: HOUSTON VA
EA			0408N	Sheet Size Supplied: 4' X 8'	LOCATION:HOUSTON TX
EA			0408N	Sheet Size Supplied: 4' X 8'	CONTRACTOR: 318 - 318 - TEXAS SPECIALTIES
EA			0408N	Sheet Size Supplied: 4' X 8'	AGENT: 1121
EA			0408N	Sheet Size Supplied: 4' X 8'	TEAR SHEET:1
					DWG. BY:
					DATE: 2012-07-27
					JOB NO: 643961_00

Wall protection and
corner guard
262 driftwood



Color Selector

WALL Protection

For Handrails, Crash Rails, Bumper Guards, Accent Rails, Corner Guards,
Wall Panels, Wall Coverings, Door Coverings and Acrovyn Doors.

949 White	^{NEW} 313 Vanilla	253 Parchment	933 Mission White*	934 Pearl	517 Teton White	100 Eggshell	858 Pumice	
920 Almond	101 French Cream	519 Buttercream	254 Wheat	186 Champagne	198 Beige Desert	305 Mushroom	866 Doeskin	
^{NEW} 997 Irish Cream	310 Yosemite Sand	102 Desert Sand	103 Beige*	479 Cappuccino	480 Toffee	303 Caramel	307 Sienna	
929 Oyster Gray	194 Chinchilla*	209 Slate	187 Tan Bark	105 Mocha	^{NEW} 316 Chestnut	^{NEW} 317 Kona	106 Brown	
196 Fawn	513 Khaki Brown	^{NEW} 322 Peanut Brittle	193 Gingerspice	^{NEW} 321 Russet	^{NEW} 320 Brick	^{NEW} 318 Berry Red	^{NEW} 326 Rustic Red	
311 Celery	521 Spanish Moss	^{NEW} 319 Saybrook Sage	853 Ocean Gray	522 Savannah	^{NEW} 323 Serene Green	^{NEW} 324 Underseas	660 Sage Green	
WP-3	262 Driftwood	^{NEW} 314 Ozark	^{NEW} 315 Galveston Gray	927 Folkstone	136 Pearl Gray	162 Charcoal*	520 Imperial Purple	108 Black*
265 Fog	309 Tranquil Blue	930 Blue Silk	848 Aspen	^{NEW} 325 Cape Blue	957 Bluestone	223 Danube	129 Yale Blue	

WP-1

WP-2

WP-4

WP-5

*These 5 colors are also available as optional vertical accents for select linear profiles.
Actual color and texture subject to normal manufacturing tolerances.
Additional textures and patterns available.

For the nearest C/S representative, literature and samples call toll free 800-233-8493 in U.S.A. and 888-895-8955 in Canada or visit www.c-sgroup.com

©Copyright 2009 Construction Specialties, Inc.