

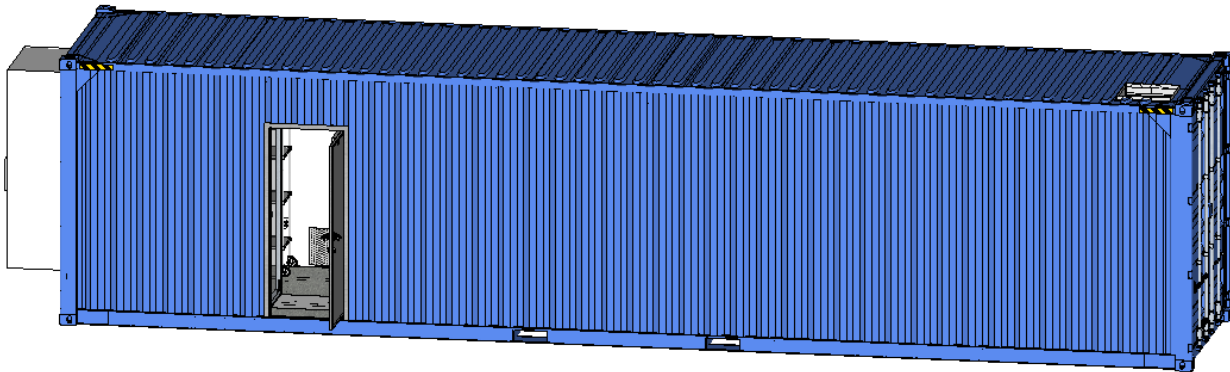
CONFIDENTIAL

August 22, 2018

Page 1 of 8

Prepared for:

VAACC Columbus, OH
Pharmacy IV Prep Room
TEMPORARY MOBILE COMPOUNDING CENTER QUOTATION



Confidentiality: *This document is **not** to be distributed to any person outside your organization without written approval*

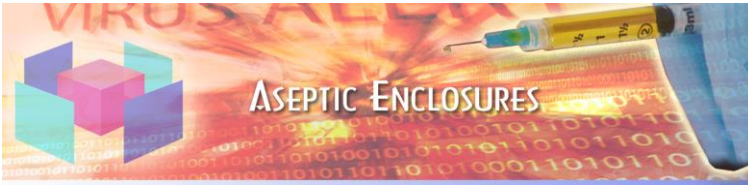
Scope of work: To supply a USP<800> compliant, self-contained mobile compounding center. This is to be a 3 room layout. A vestibule, Hepa filtered, work area, Positive Pressure Ante area and a Negative pressure Buffer room with 2 48x32NP CACIs. This will include provision and installation of all represented interior components including external exhausting, exhaust filtration, exhaust alarm, air handling, HVAC control, HEPA filtration, ceiling system, lighting, wall panels, doors, auto open actuators, shelving units, engineering controls (Isolators), exhausting for user supplied refrigerator, switches, gauges, eyewash, sink, 2 mobile office workstations with data and communications connections. Also included is an on-site project review meeting, installation supervision and in service training. Security Deadbolt and Keypad Access. 2 station Cleanroom Intercom system.

3730 Hampton Avenue
St. Louis, MO 63109

AsepticEnclosures.com

800-418-9289
fax 800-829-5742

© 2018 Aseptic Enclosures. ALL RIGHTS RESERVED. Confidential – Property of Aseptic Enclosures
Any use of materials including reproduction, modification, distribution or republication, without the prior written consent of Aseptic Enclosures, is strictly prohibited.



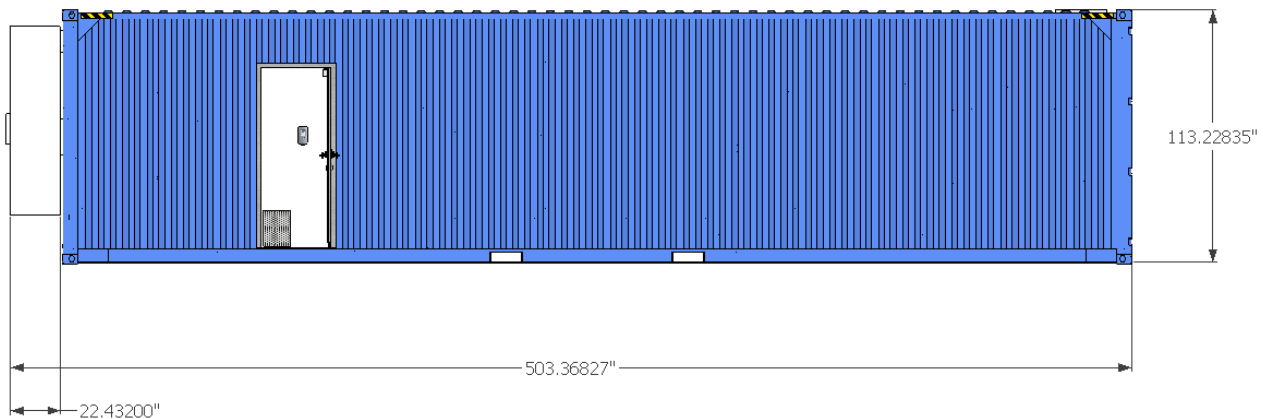
CONFIDENTIAL

August 22, 2018

Page 2 of 8

Prepared for:

VAACC Columbus, OH
Pharmacy IV Prep Room
TEMPORARY MOBILE COMPOUNDING CENTER QUOTATION



Site requirements and Installation Recommendations to Buyer:

Electrical supply required: 120/240/208V single phase 200 amps. Connection By Others.

Dimensions: 42ft long x 8ft wide x 9'6" high

Total weight: Approximately 15,000lbs

Occupancy Capacity: International Building Code (IBC) 21. We recommend 6 or less.

Building Type: Can vary based on local codes, typically ancillary.

Placement: This equipment can be installed free standing without any additional ground prep, however settling can occur and operationally, settling may create an issue for utility connections or internal working environment. It is best for the Mobile Compounding Center to be placed upon a level foundation for, ease of presenting utilities to the unit, and reduced moisture from ground to floor contact. Unit's payload capacity is 67,000 pounds that is designed to be fully supported by the corners.

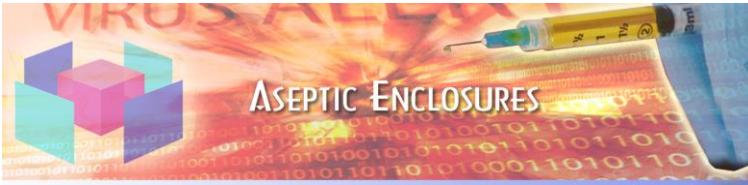
A concrete slab or pad footings are recommended. Foundation anchors can be provided as an option. Civil Engineering for local site placement is available.

Access for placement: Typical shipment is from a roll-off tilt-bed tractor trailer. 120ft straight line access is required. Forklift rigging is available.

3730 Hampton Avenue
St. Louis, MO 63109

AsepticEnclosures.com

800-418-9289
fax 800-829-5742



CONFIDENTIAL

August 22, 2018

Page 3 of 8

Prepared for:

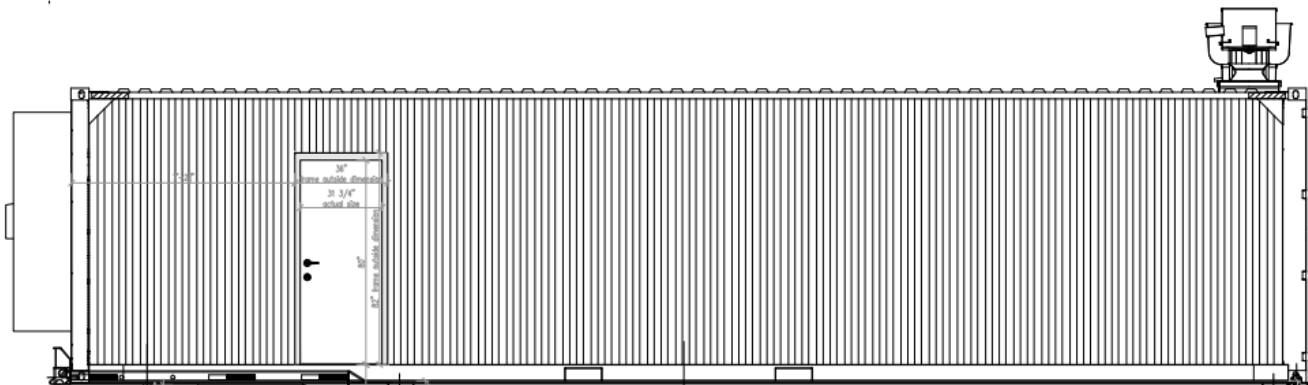
VAACC Columbus, OH
Pharmacy IV Prep Room
TEMPORARY MOBILE COMPOUNDING CENTER QUOTATION

Freight and rigging is not included. Estimated charge for pickup 350.00 and placement 350.00 (assuming roll off) + approximately 3.00 per mile from St. Louis. The unit can optionally be supplied on a chassis.

Plumbing connection: Plumbing connections are readily customized to your requirements. Final connection BY OTHERS. Standard is ½ copper cold water only. Brought into the side 18in above base of container. Pipe is thermostat controlled heat wrapped and insulated connected to an external mounted GFCI outlet. Heat wrapping can be supplied in additional lengths for owner's connection. Optional, on demand, hot water system also available. A through floor pipe connection is also available.

Venting: Exhausting is included. Exhaust fan should be specified to be located away from building intakes.

Electrical Requirements: Connection by Others. Required service. 240/208/120 three phase, 200amp.

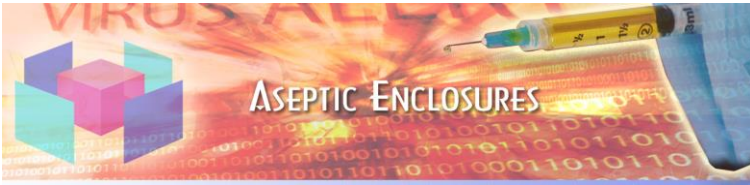


3730 Hampton Avenue
St. Louis, MO 63109

AsepticEnclosures.com

800-418-9289
fax 800-829-5742

© 2018 Aseptic Enclosures. ALL RIGHTS RESERVED. Confidential – Property of Aseptic Enclosures
Any use of materials including reproduction, modification, distribution or republication, without the prior written consent of Aseptic Enclosures, is strictly prohibited.



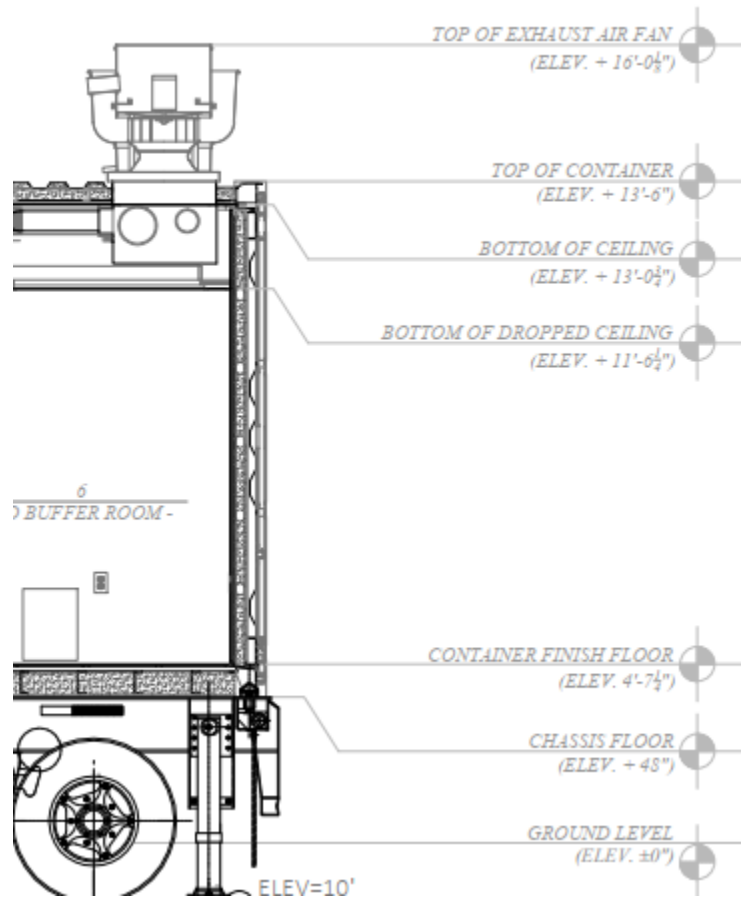
CONFIDENTIAL

August 22, 2018

Page 4 of 8

Prepared for:

VAACC Columbus, OH
Pharmacy IV Prep Room
TEMPORARY MOBILE COMPOUNDING CENTER QUOTATION

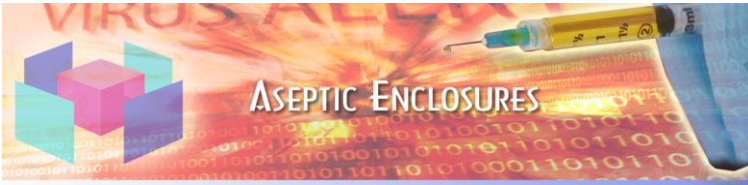


3730 Hampton Avenue
St. Louis, MO 63109

AsepticEnclosures.com

800-418-9289
fax 800-829-5742

© 2018 Aseptic Enclosures. ALL RIGHTS RESERVED. Confidential – Property of Aseptic Enclosures
Any use of materials including reproduction, modification, distribution or republication, without the prior written consent of Aseptic Enclosures, is strictly prohibited.



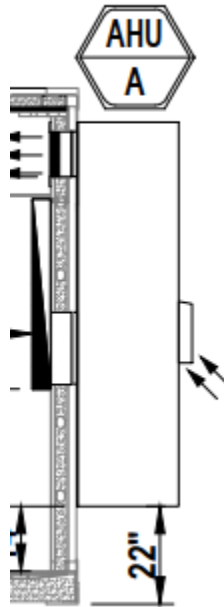
CONFIDENTIAL

August 22, 2018

Page 5 of 8

Prepared for:

VAACC Columbus, OH
Pharmacy IV Prep Room
TEMPORARY MOBILE COMPOUNDING CENTER QUOTATION



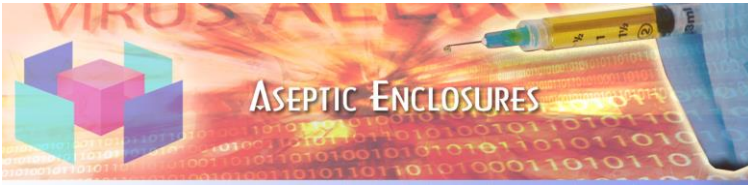
**Electrical Connection: 208 Y /120. We run this into our 200amp panel.
Connection Location and type to be specified based on site.**

3730 Hampton Avenue
St. Louis, MO 63109

AsepticEnclosures.com

800-418-9289
fax 800-829-5742

© 2018 Aseptic Enclosures. ALL RIGHTS RESERVED. Confidential – Property of Aseptic Enclosures
Any use of materials including reproduction, modification, distribution or republication, without the prior written
consent of Aseptic Enclosures, is strictly prohibited.



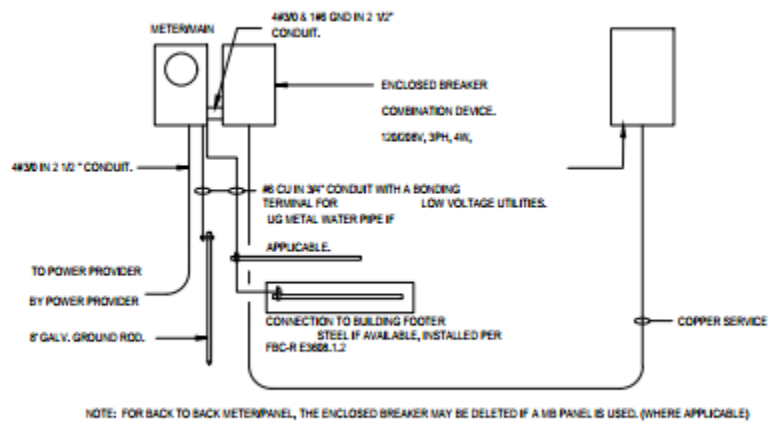
CONFIDENTIAL

August 22, 2018

Page 6 of 8

Prepared for:

VAACC Columbus, OH
Pharmacy IV Prep Room
TEMPORARY MOBILE COMPOUNDING CENTER QUOTATION



TYPICAL RISER DETAIL

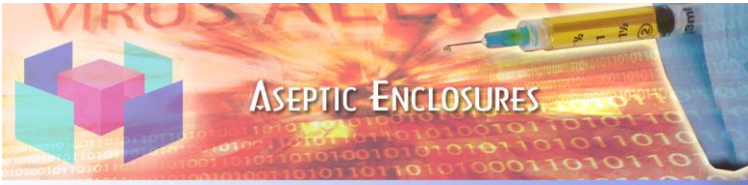
- 1. ALL THE DUPLEX CAT NETWORK OUTLET AND TELEPHONE OUTLET TO BE CONNECTED TO BUILDING LINE (BY OTHERS).**

3730 Hampton Avenue
St. Louis, MO 63109

AsepticEnclosures.com

800-418-9289
fax 800-829-5742

© 2018 Aseptic Enclosures. ALL RIGHTS RESERVED. Confidential – Property of Aseptic Enclosures
Any use of materials including reproduction, modification, distribution or republication, without the prior written consent of Aseptic Enclosures, is strictly prohibited.



CONFIDENTIAL

August 22, 2018

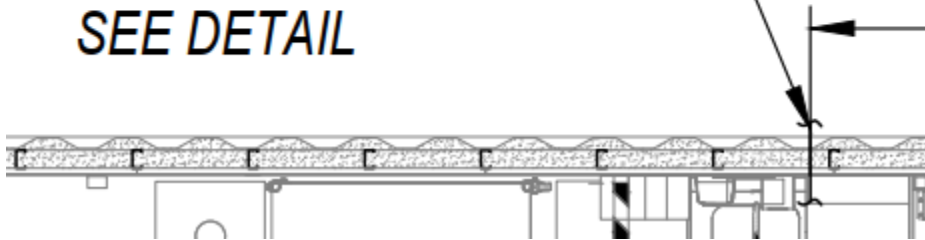
Page 7 of 8

Prepared for:

VAACC Columbus, OH
Pharmacy IV Prep Room
TEMPORARY MOBILE COMPOUNDING CENTER QUOTATION

Plumbing connection type and location is flexible based on site requirements. A hot water heating system is supplied. This supply is to a 3gpm handwashing sink. Drain location is also flexible.

***Ø1/2" COPPER PIPE
w/ Push-to-Connect Fitting
CONNECTED TO MAIN
(BY OTHERS)
+21" AFF
SEE DETAIL***

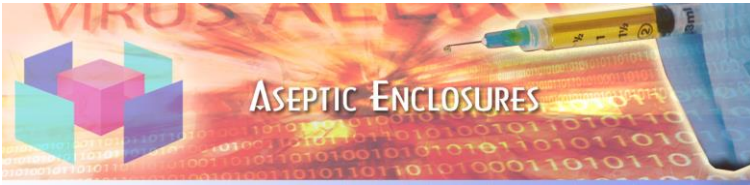


3730 Hampton Avenue
St. Louis, MO 63109

AsepticEnclosures.com

800-418-9289
fax 800-829-5742

© 2018 Aseptic Enclosures. ALL RIGHTS RESERVED. Confidential – Property of Aseptic Enclosures
Any use of materials including reproduction, modification, distribution or republication, without the prior written consent of Aseptic Enclosures, is strictly prohibited.



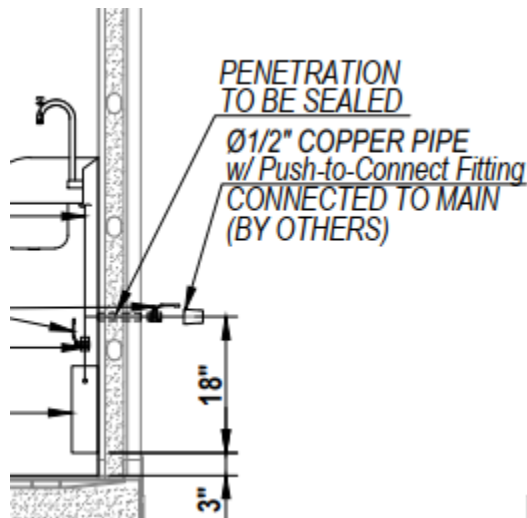
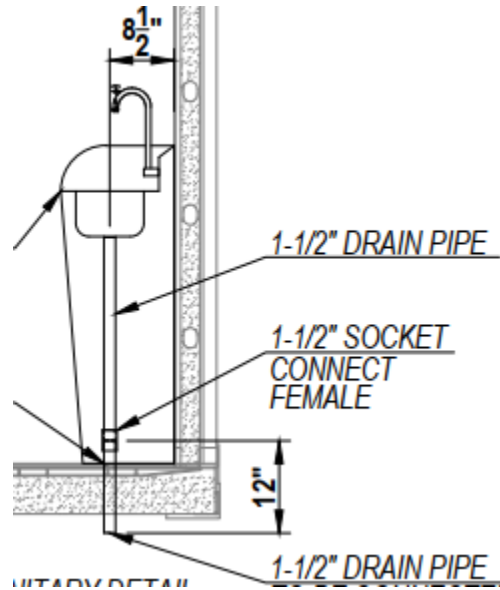
CONFIDENTIAL

August 22, 2018

Page 8 of 8

Prepared for:

VAACC Columbus, OH
Pharmacy IV Prep Room
TEMPORARY MOBILE COMPOUNDING CENTER QUOTATION



3730 Hampton Avenue
St. Louis, MO 63109

AsepticEnclosures.com

800-418-9289
fax 800-829-5742

© 2018 Aseptic Enclosures. ALL RIGHTS RESERVED. Confidential – Property of Aseptic Enclosures
Any use of materials including reproduction, modification, distribution or republication, without the prior written consent of Aseptic Enclosures, is strictly prohibited.