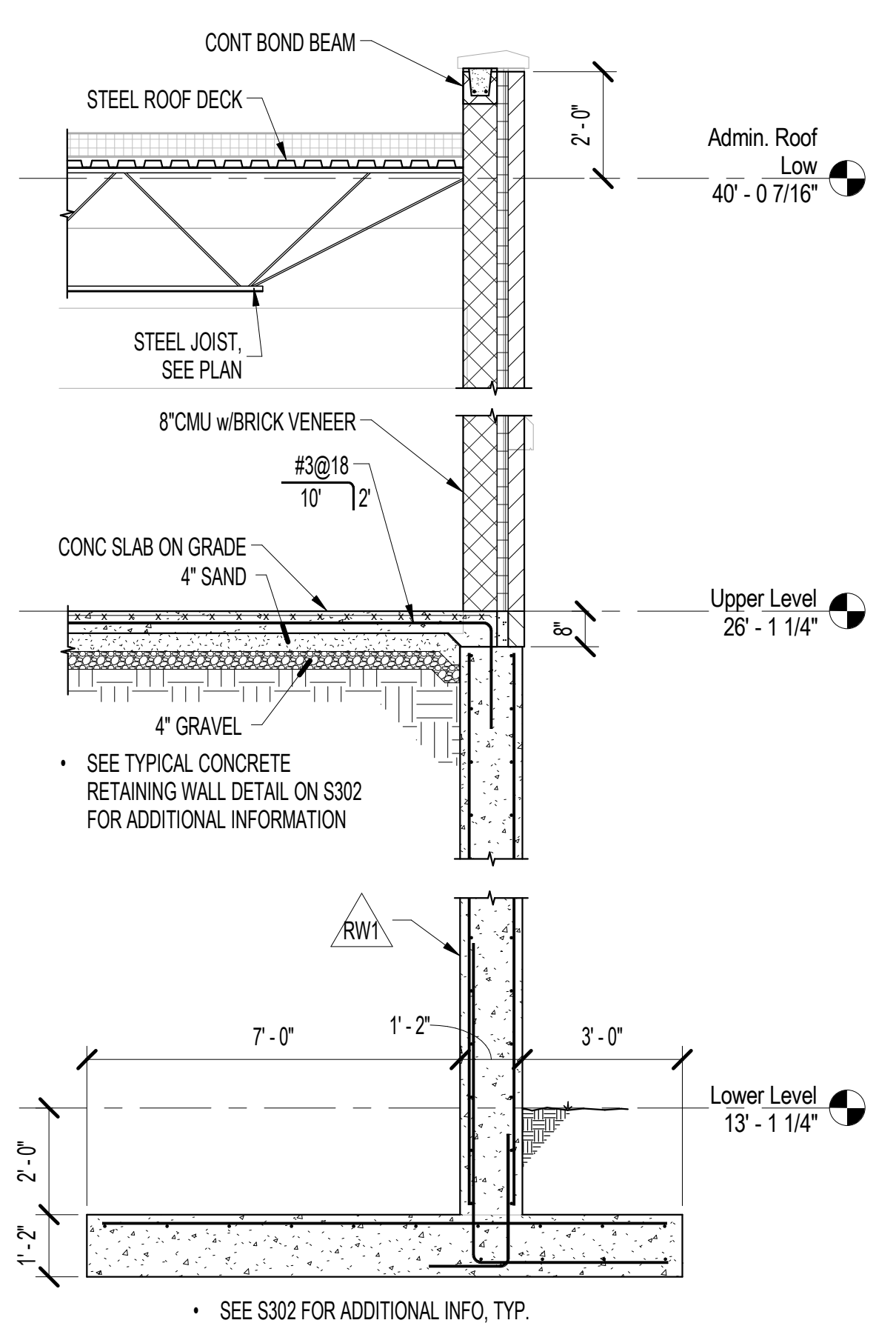
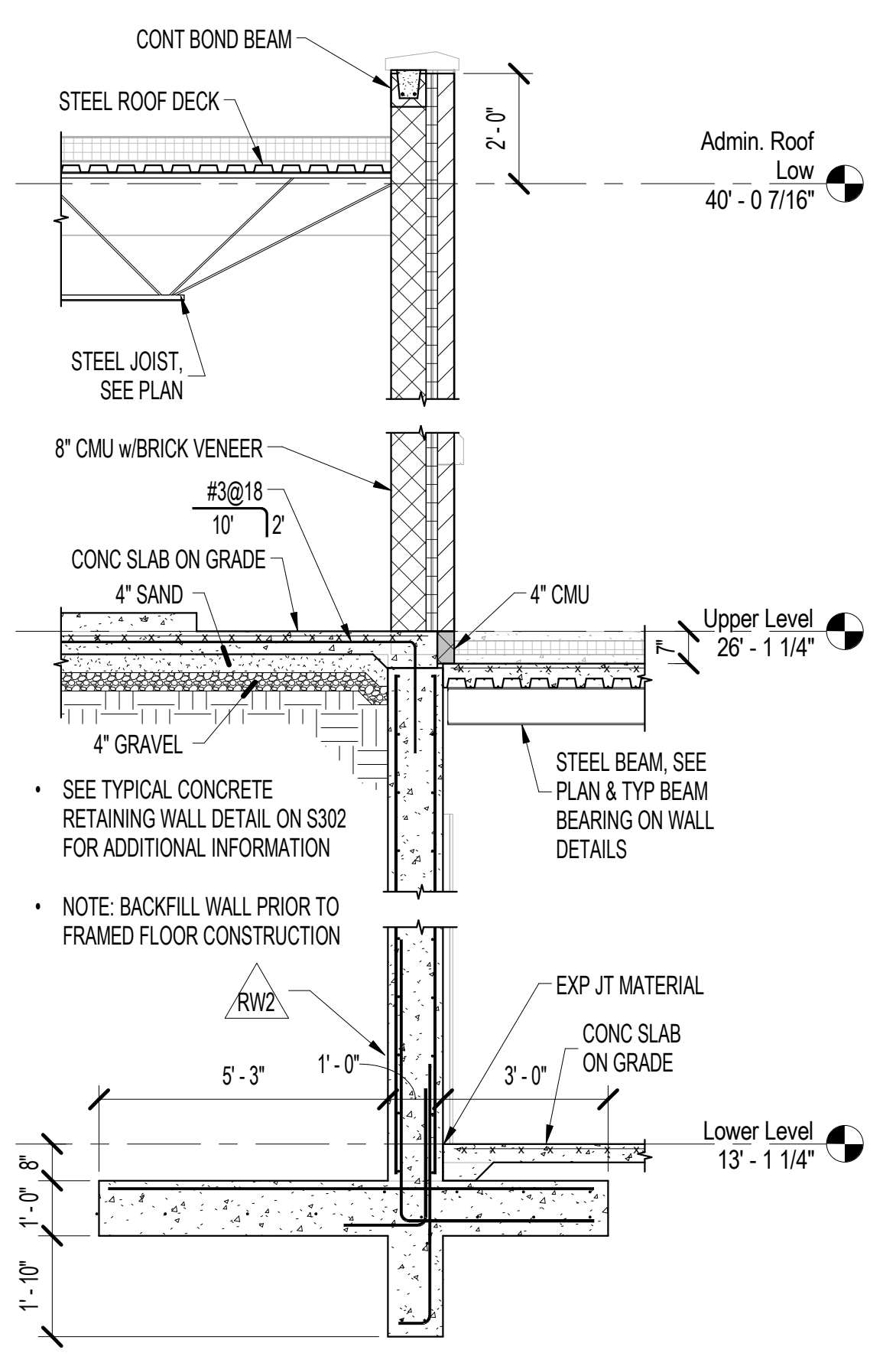


three inches = one foot  
 one and one half inches = one foot  
 one inch = one foot  
 three quarters inch = one foot  
 one half inch = one foot  
 three eighths inch = one foot  
 one quarter inch = one foot  
 one eighth inch = one foot  
 one sixteenth inch = one foot

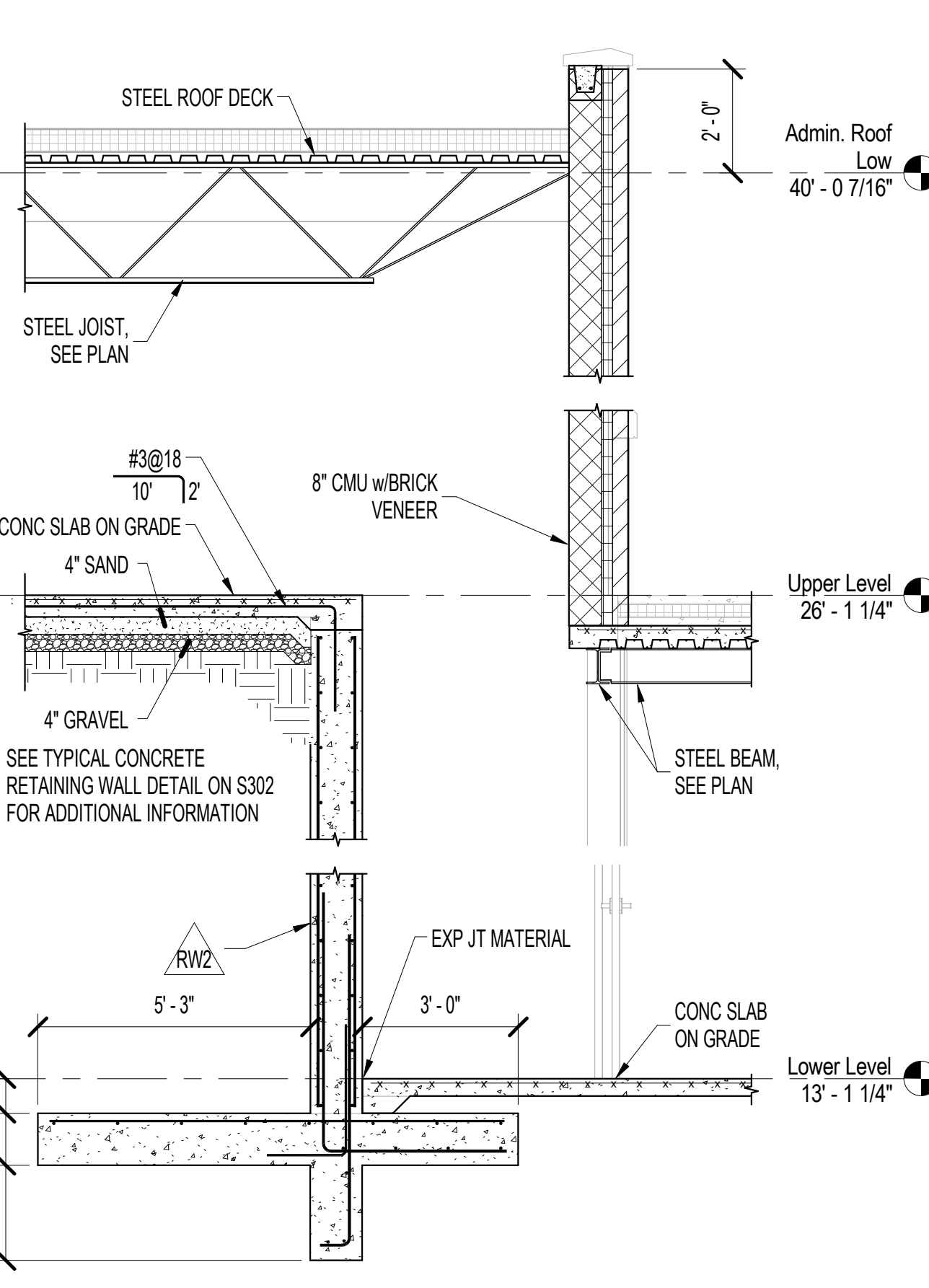
A  
 B  
 C  
 D  
 E  
 F



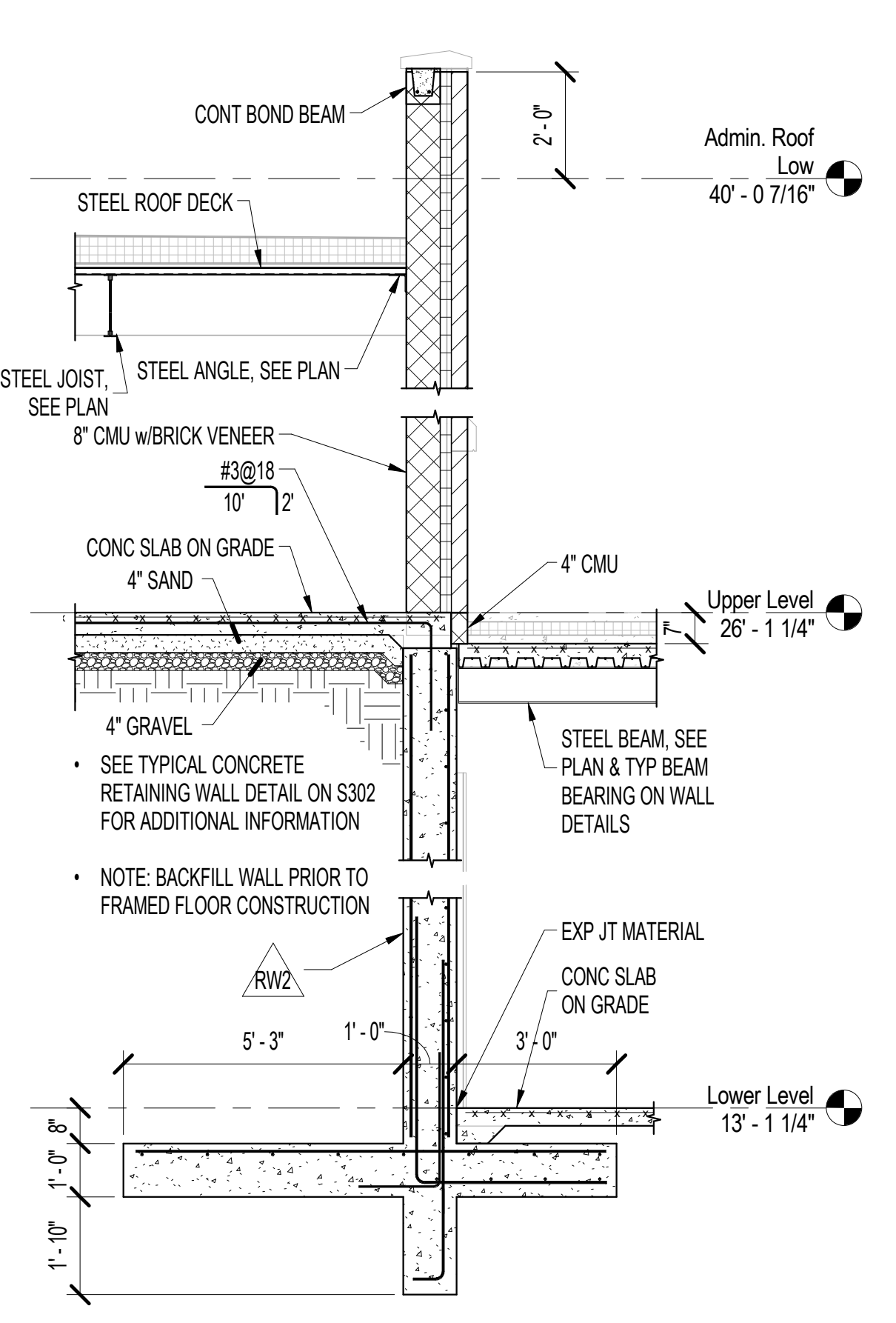
1 SECTION  
 3/8" = 1'-0"



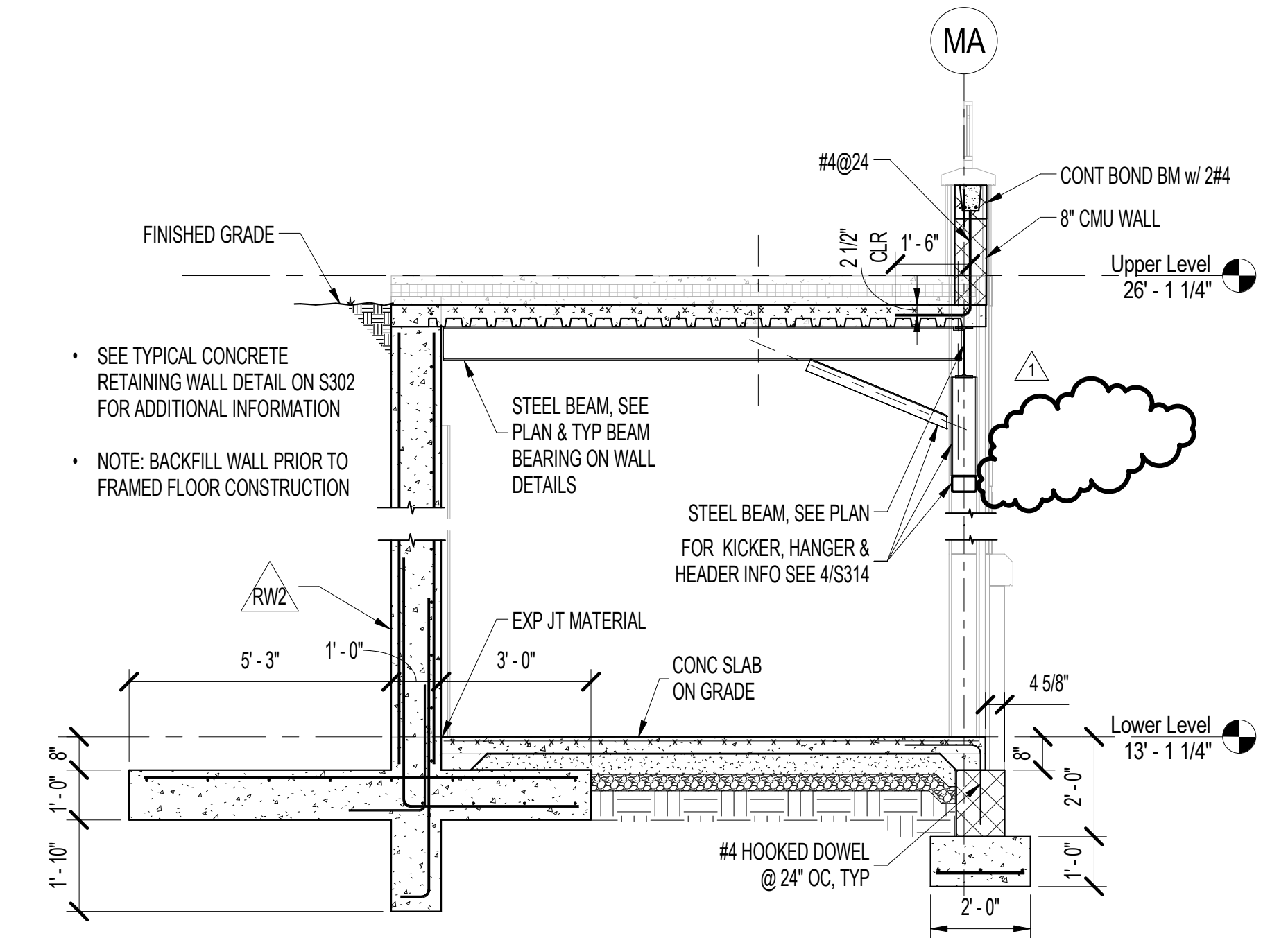
2 SECTION  
 3/8" = 1'-0"



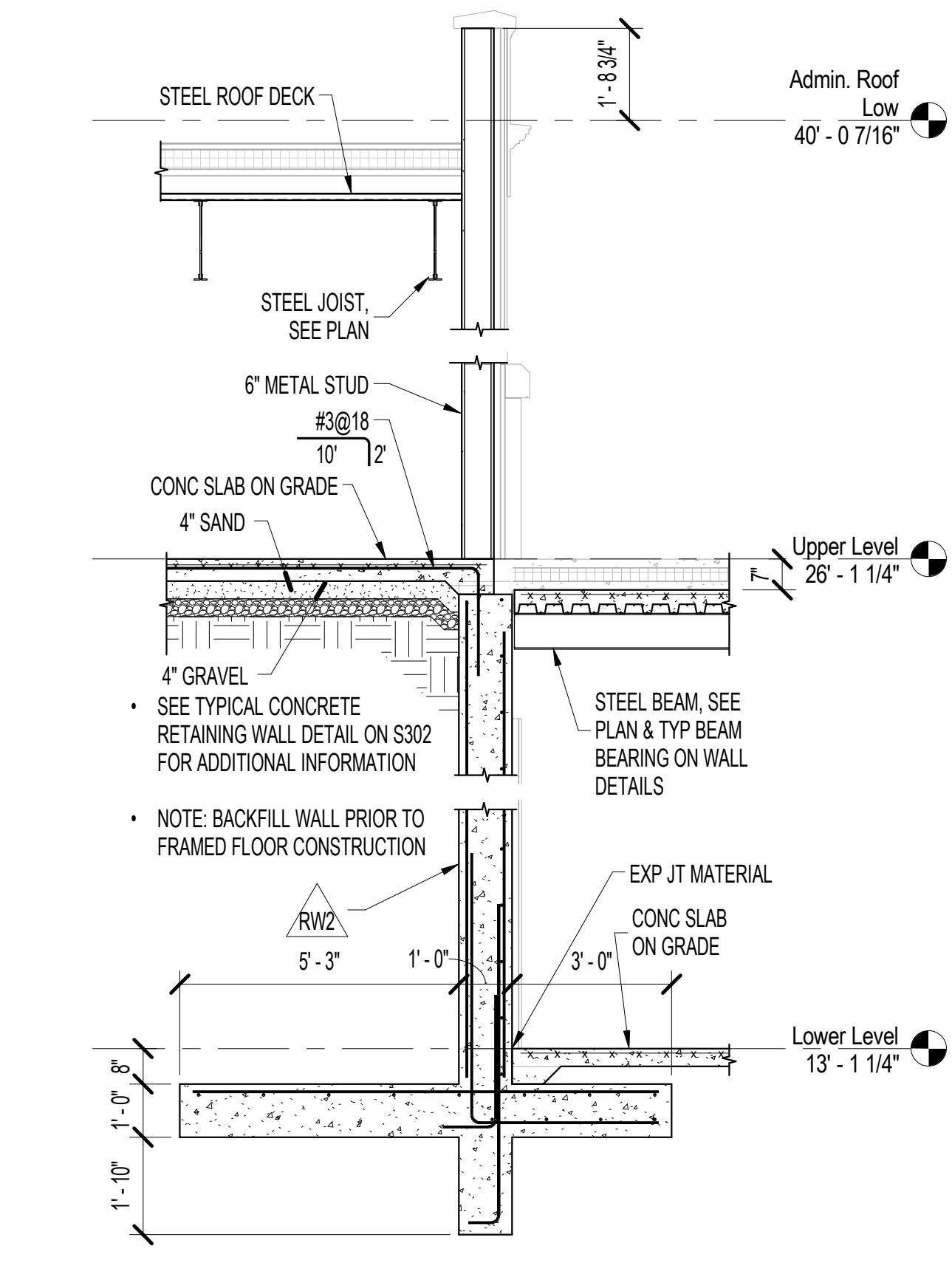
3 SECTION  
 3/8" = 1'-0"



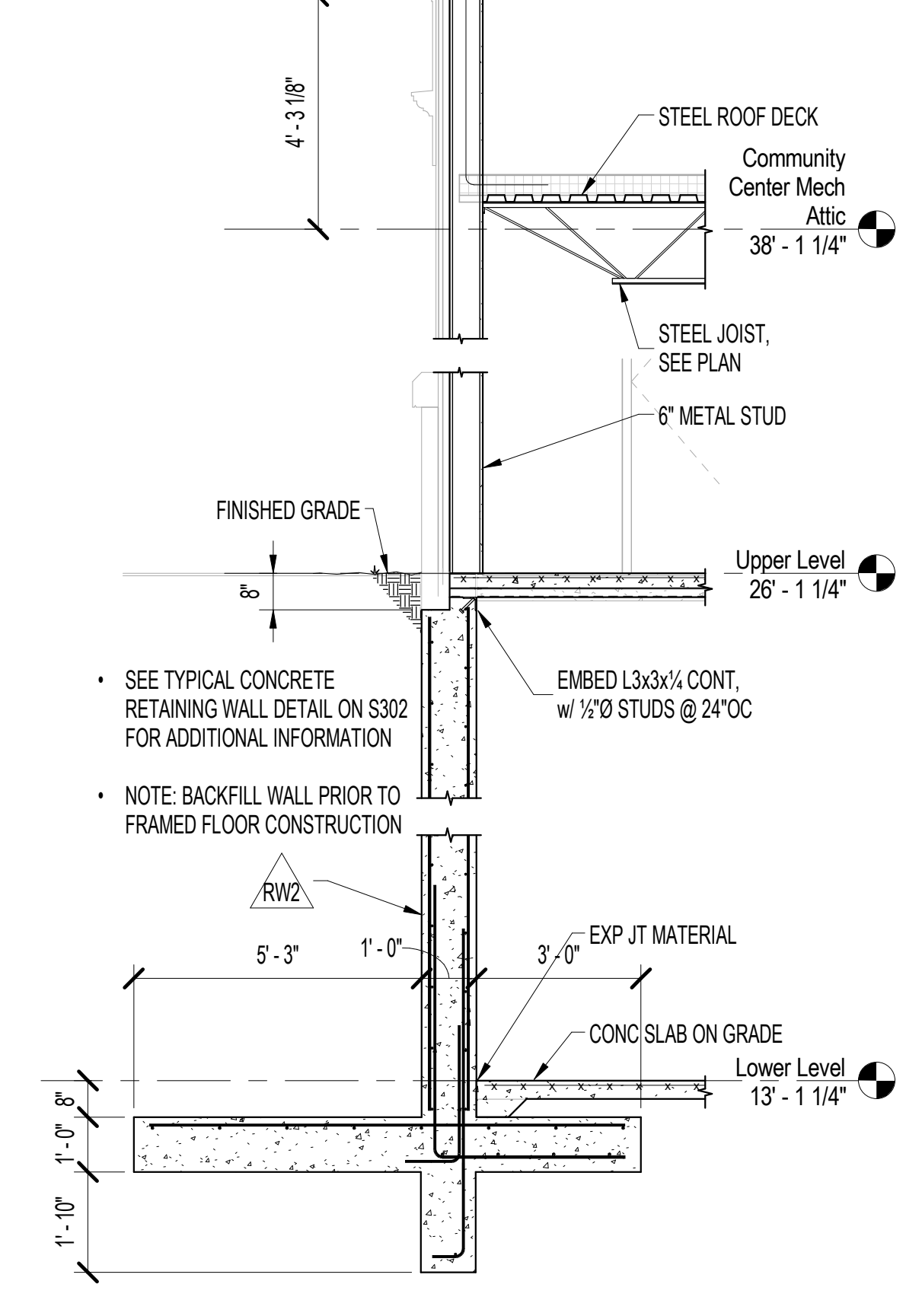
4 SECTION  
 3/8" = 1'-0"



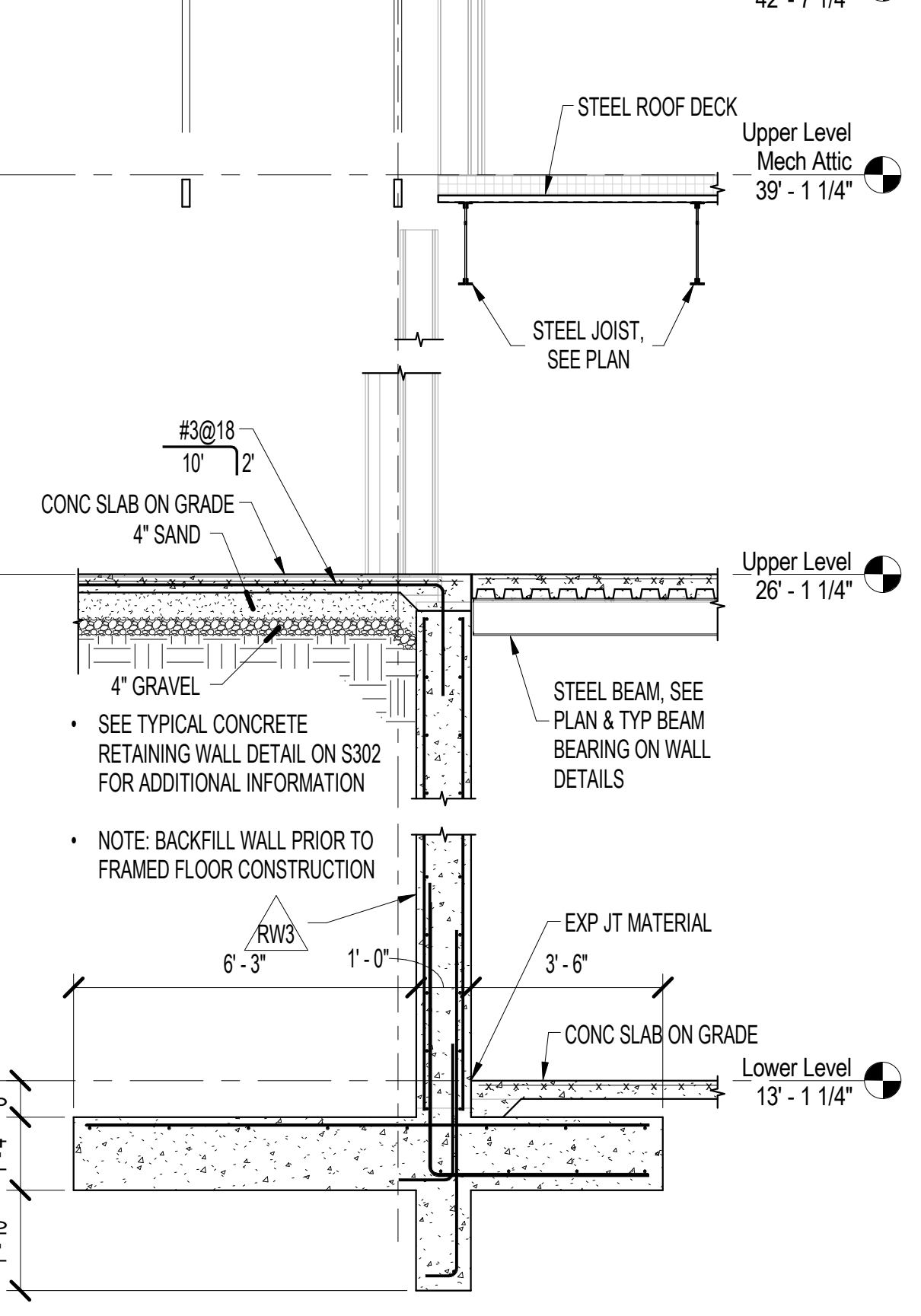
5 SECTION  
 3/8" = 1'-0"



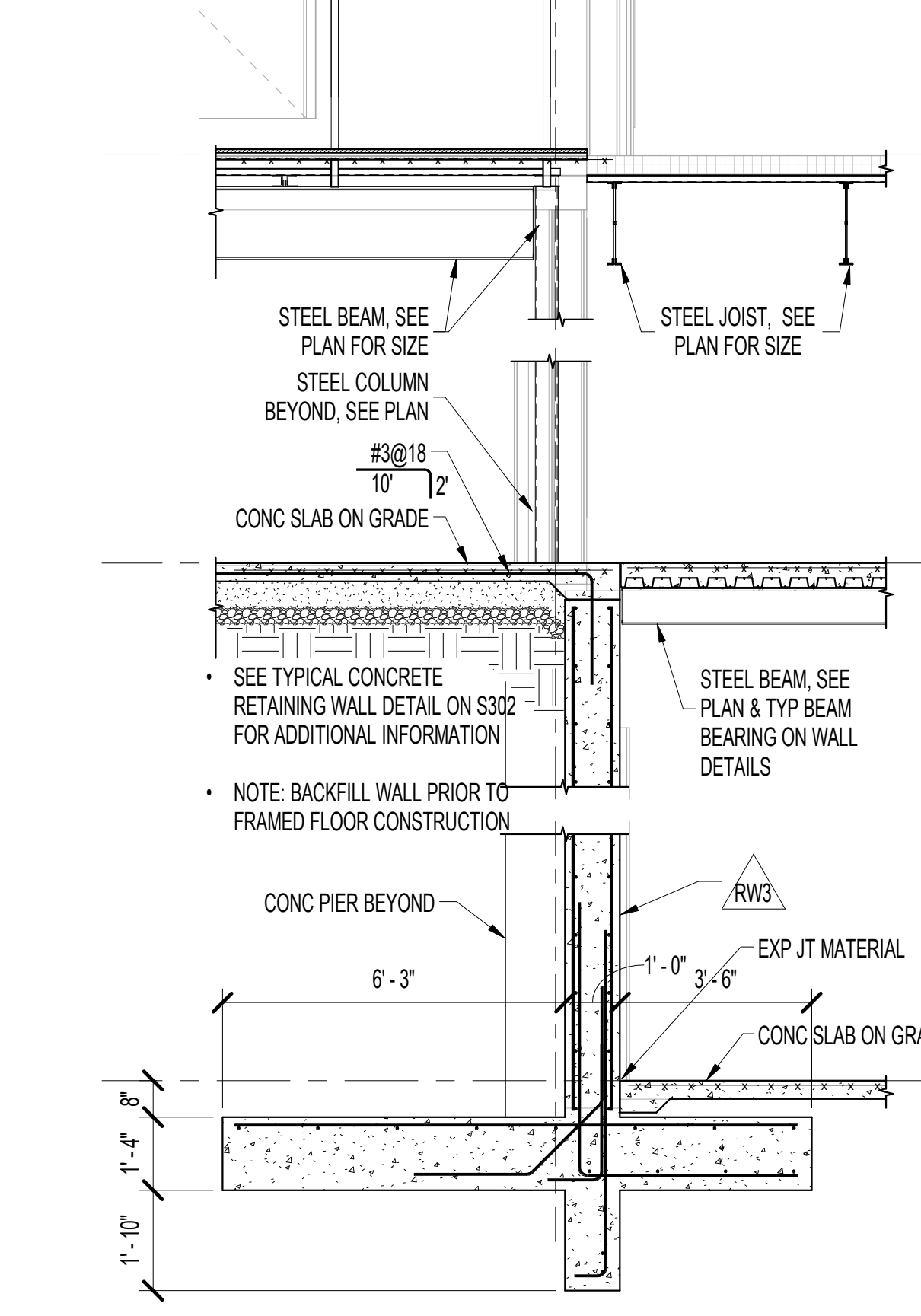
6 SECTION  
 3/8" = 1'-0"



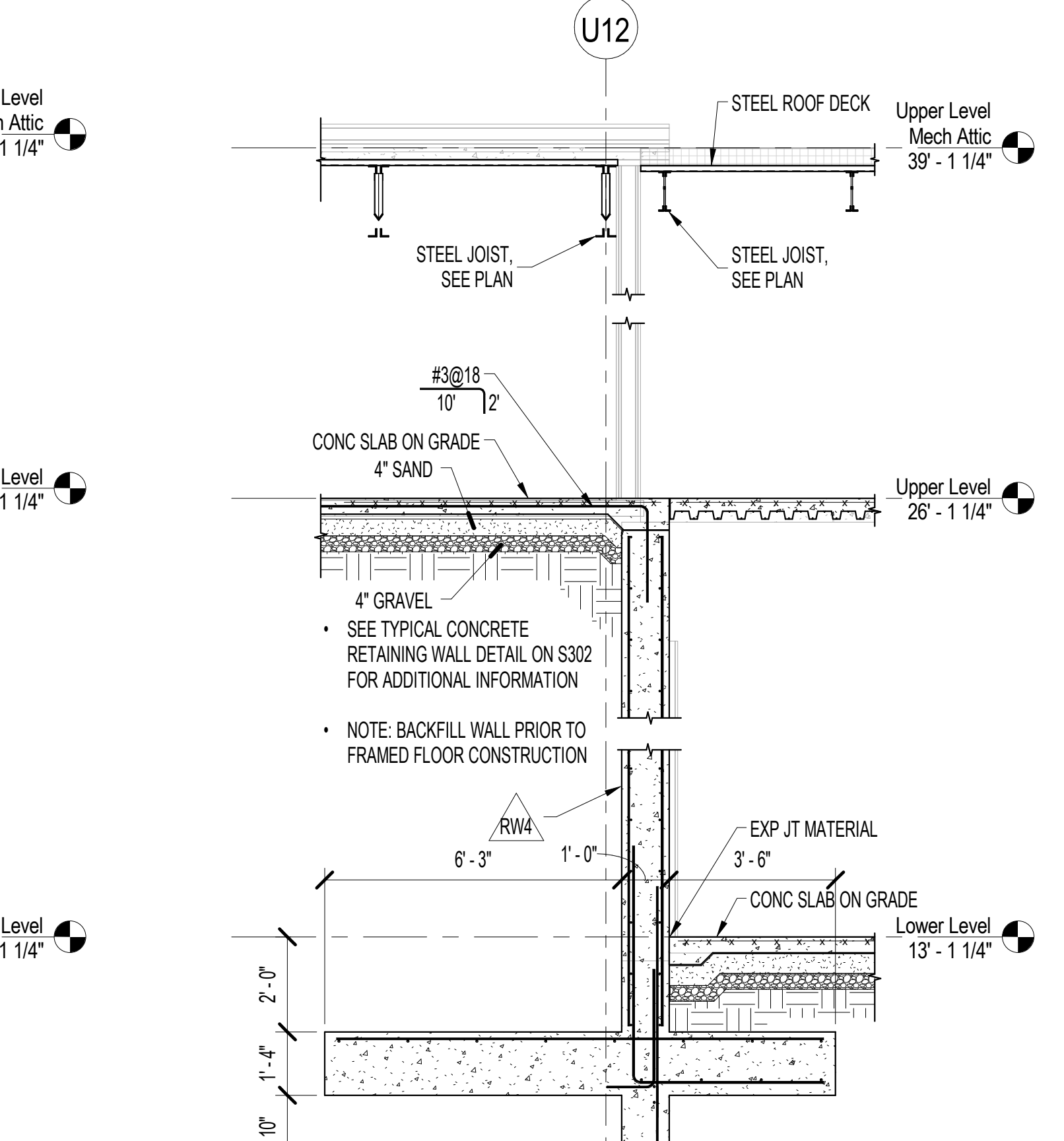
7 SECTION  
 3/8" = 1'-0"



8 SECTION  
 3/8" = 1'-0"



9 SECTION  
 3/8" = 1'-0"



10 SECTION  
 3/8" = 1'-0"

FINAL CONSTRUCTION DOCUMENTS  
 FULLY SPRINKLERED

<b>CONSULTANTS:</b> BURDETTE KOEHLER MURPHY & ASSOCIATES, INC. MECHANICAL/ELECTRICAL CONSULTING ENGINEERING 1416 CLARKVIEW ROAD, SUITE 600 BALTIMORE, MARYLAND 21209 410.223.0600 - FAX 410.377.2543 CENTURY ENGINEERING, INC. CIVIL & STRUCTURAL ENGINEERING 10710 GLEBOY ROAD HUNT VALLEY, MARYLAND 21031 443.589.2400 - FAX 443.589.2401		KOFFEL ASSOCIATES, INC. FIRE PROTECTION ENGINEERING 8815 CENTRE PARK DR., SUITE 200 COLUMBIA, MARYLAND 21046 410.792.2246 - FAX 410.792.2288		ROBERT L. SEYMOUR ASSOCIATES AUTOMATIC TRANSPORT ENGINEERING 182 THOMAS JOHNSON DR., SUITE 200 FREDERICK, MARYLAND 21702 301.662.8112 - FAX 301.662.8117		I.D.E.A.S. INC. PLANT/SEE CONSULTANT 5055 CHORDON RD. PORTLAND, OHIO 44094 440.256.1800 - FAX 440.256.1881		<b>ARCHITECT/ENGINEERS:</b> ARCHITECTURE PLANNING ENGINEERING <b>POLT DESIGN GROUP</b> 2215 Conowingo Rd, Suite 101 Bel Air, Maryland 21015-1436 410.803.2141 fax 410.836.6611 www.polt-design.com		Drawing Title <b>MALL / COMMUNITY CENTER SECTIONS</b> Approved: Project Director		Project Title <b>REPLACEMENT COMMUNITY LIVING CENTER</b> Location <b>PERRY POINT VA MEDICAL CENTER</b> Date 06/08/18 Checked CEI Drawn CEI		Project Number <b>512-173</b> Building Number <b>370</b> Drawing Number <b>S306</b>		Office of Construction and Facilities Management Department of Veterans Affairs	
---	--	--	--	--	--	--	--	---	--	--	--	---	--	--	--	--	--