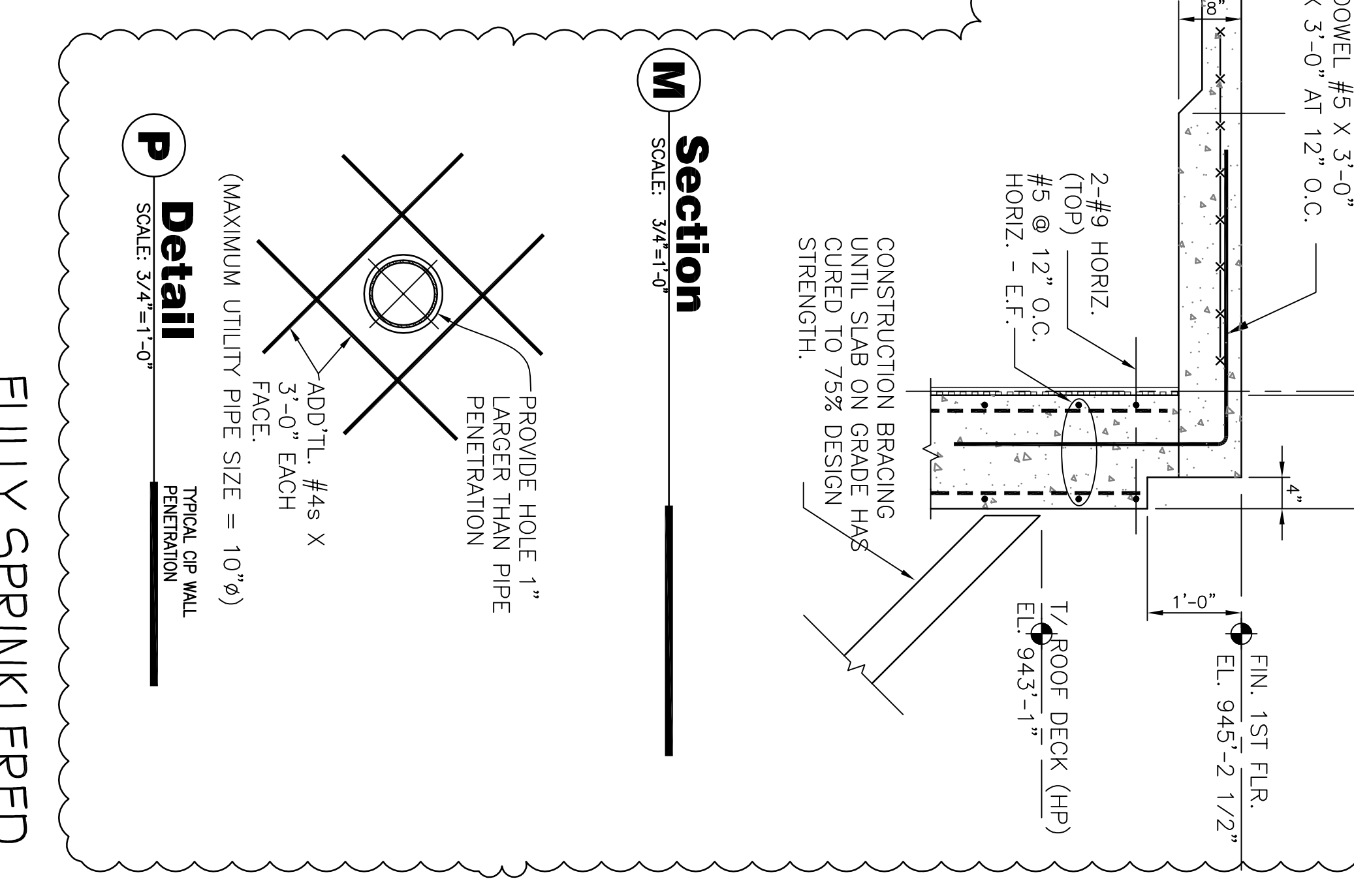


CANTILEVER WALL CHART						
	MAX. WALL HEIGHT	STEP 1	STEP 2	STEP 3	MIN. WALL HEIGHT	LOADING DOCK WALL
T/ SOIL	945.2'	945.2'	945.2'	945.2'	945.2'	925.2'
BOTT/ WALL	925.0'	929.0'	933.0'	936.0'	938.2'	921.2'
FOOTING						
W	17'-0"	15'-0"	11'-6"	7'-0"	3'-6"	3'-6"
TOE	5'-0"	5'-0"	5'-0"	3'-0"	1'-3"	1'-3"
T	24"	24"	18"	12"	12"	12"
As T&B	#9 @ 12"	#7 @ 12"	#6 @ 12"	#5 @ 12"	#5 @ 12"	#5 @ 12"
As #1	#9 @ 6"	#9 @ 9"	#5 @ 6"	#5 @ 6"	#5 @ 12"	#5 @ 12"
H1	14'-0"	10'-3"	5'-9"	3'-0"	---	---
D2	12"	12"	12"	12"	---	---
As #2	#5 @ 12"	#5 @ 12"	#5 @ 12"	#5 @ 12"	#5 @ 12"	---



RECORD DRAWINGS	08-27-12
REV 1	DETAIL UPDATES
DATE	00-00-00

THESE RECORD DOCUMENTS HAVE BEEN PREPARED BASED ON INFORMATION PROVIDED BY OTHERS. THE DESIGN PROFESSIONAL HAS NOT VERIFIED THE ACCURACY AND/OR COMPLETENESS OF THIS INFORMATION AND SHALL NOT BE RESPONSIBLE FOR ANY ERRORS OR OMISSIONS WHICH MAY BE INCORPORATED HEREIN AS A RESULT.

**Office of Facilities Management**  
 Department of Veterans Affairs

**Project Title:** CARES CONSOLIDATION PHASE 2 - PITTSBURGH, PA AMBULATORY CARE CENTER

**Project Number:** 646C2A500P

**Building Number:** 71

**Location:** VAPHS HJ HEINZ III DIVISION

**Drawing Number:** SSS-102

**Drawn by:** [Name]

**Checked by:** [Name]

**Date:** 10-01-07

**Scale:** Dwg. 54 of 304

**Project Title:** CARES CONSOLIDATION PHASE 2 - PITTSBURGH, PA AMBULATORY CARE CENTER

**Project Number:** 646C2A500P

**Building Number:** 71

**Location:** VAPHS HJ HEINZ III DIVISION

**Drawing Number:** SSS-102

**Drawn by:** [Name]

**Checked by:** [Name]

**Date:** 10-01-07

**Scale:** Dwg. 54 of 304