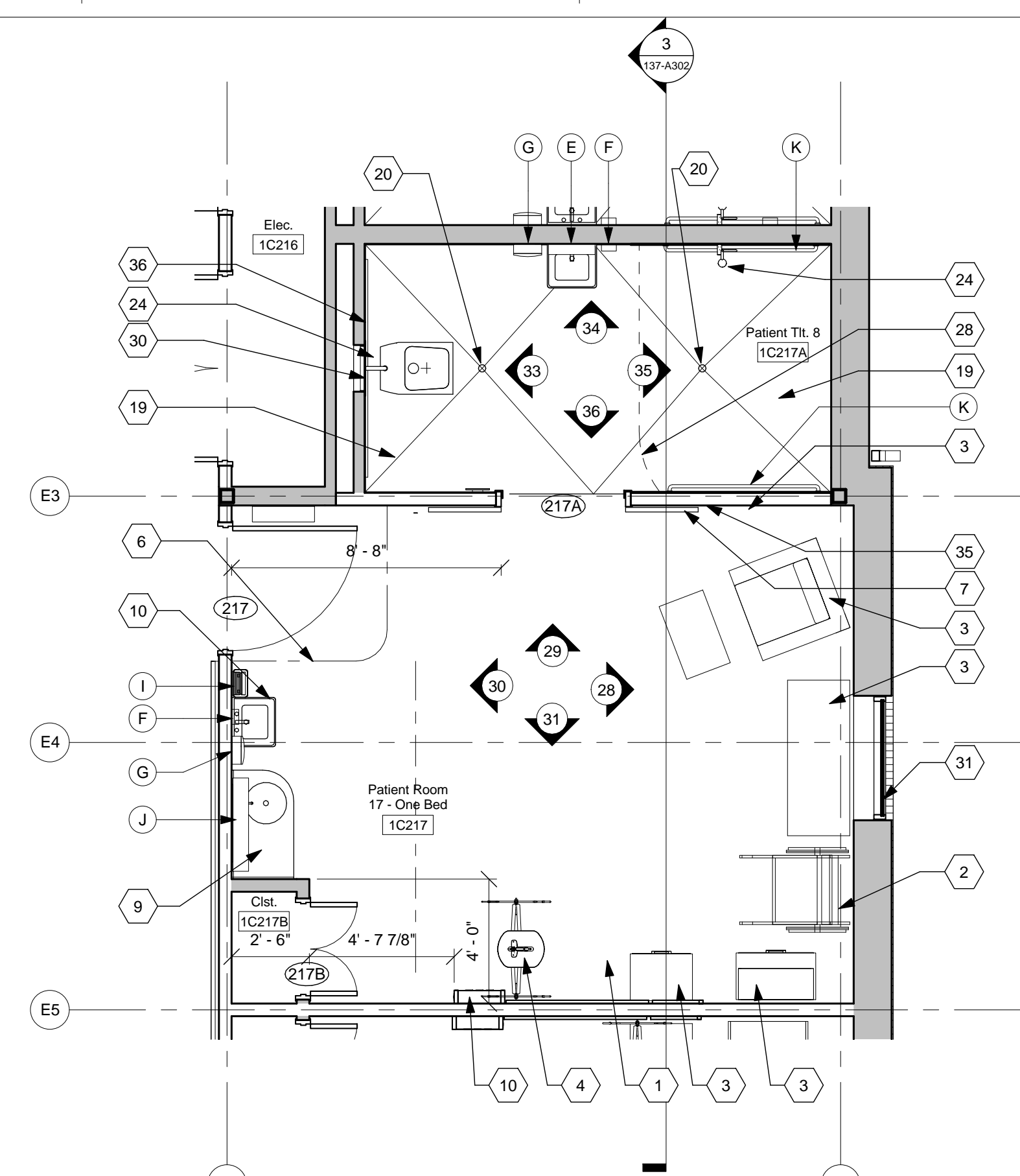


**GENERAL INT. ELEVATION NOTES**

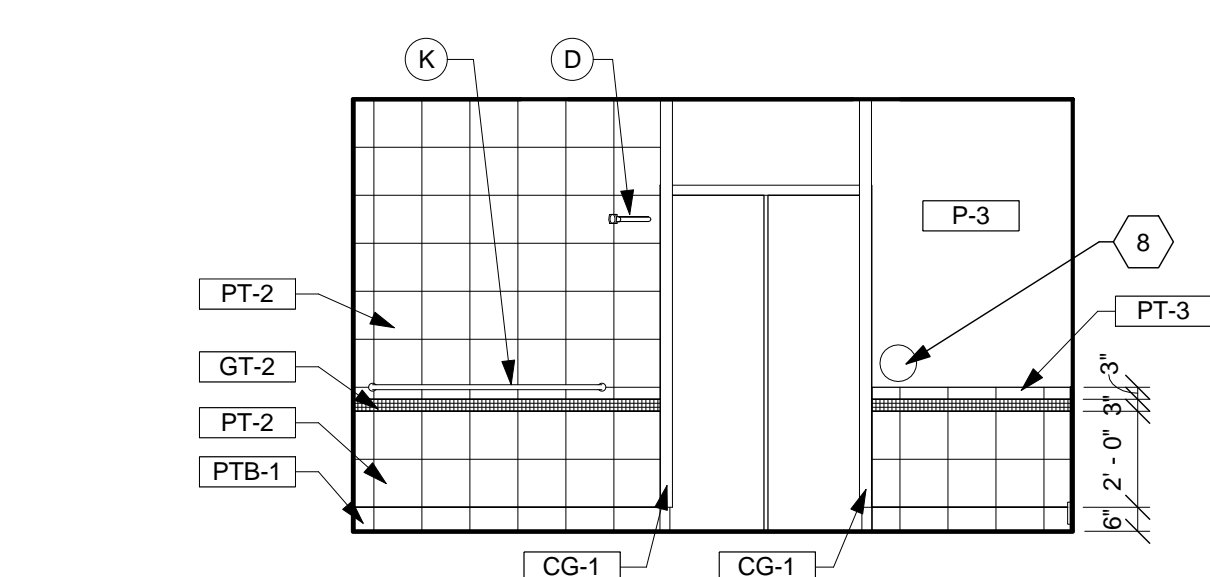
- A. See sheet 137-A703 and 137-A704 for Floor Finish Plans.
- B. See sheet 137-A801 for Casework Details.
- C. See sheet 137-A701 for Room Finish Schedule.
- D. See sheet 137-A702 for Finish Materials Legend.

**NOTES**

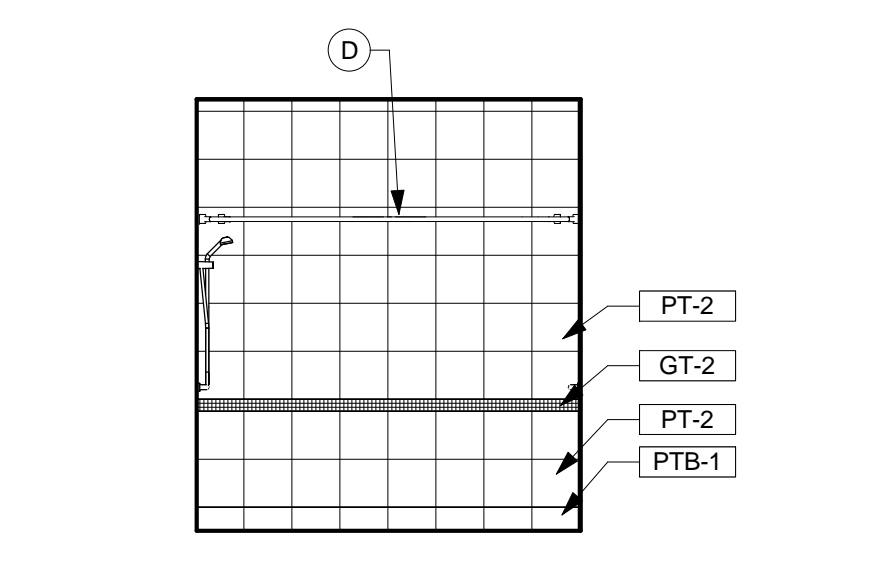
- 1 Resident bed by Owner.
- 2 Resident wheel chair charging location.
- 3 Furniture by Owner.
- 4 Patient lift by Owner (above).
- 5 Patient bedside unit / wall panel. See detail 6 on Sheet 137-A602.
- 6 Cubicle curtain track (above).
- 7 Automatic sliding door operator / frame.
- 8 Automatic door push plate.
- 9 Resident vanity and sink. See Plumbing Drawings.
- 10 Caregiver sink. See Plumbing Drawings.
- 11 Television, media player and bracket by Owner (above).
- 12 Tapered floor fill. Fill to be 1" thick at bathroom door and slope down into bedroom at 1/8"/foot. See Floor Transition detail T1.
- 13 Exhaust hood. See PME Drawings.
- 14 Floor drains. See Plumbing Drawings. Where located in existing slabs, located as close as possible to the position indicated, but adjust as required to avoid existing concrete joists / beams.
- 15 Cubicle curtain track.
- 16 Microwave by Owner.
- 17 Oven by Owner.
- 18 Cook top by Owner.
- 19 Tapered floor fill. Fill to be 1" thick at perimeter of bathroom and slope down to floor drains at approximately 1/4 inch/foot.
- 20 Floor drains. See Plumbing Drawings. Where located in existing slabs, located as close as possible to the position indicated, but adjust as required to avoid existing concrete joists / beams.
- 21 Dishwasher by Owner.
- 22 30" x 42" unframed mirror.
- 23 Refrigerator by Owner.
- 24 Plumbing fixture. See Plumbing Drawings.
- 25 Flush valve actuator button. See Plumbing Drawings.
- 26 Pantry.
- 27 Motorized dual roller window shade.
- 28 8' long curved shower curtain rod. Include ceiling support at center of rod. Shower curtain by Owner.
- 29 Wall extension. See Sheet 137-A602 for Details.
- 30 18" x 18" access panel.
- 31 Existing window system.
- 32 Blackout film on inside face of all glass surfaces where window is covered with gypsum board.
- 33 Infill window opening with new wall assembly flush with existing wall surface.
- 34 Wall mounted light fixture. See Electrical Drawings.
- 35 Recessed narrow door actuator.
- 36 Stainless steel crash rail.
- 37 8' long straight shower curtain rod. Include ceiling support at center of rod. Shower curtain by Owner.
- 38 Straight shower curtain rod.
- 39 On/Off/Hold Open switch.



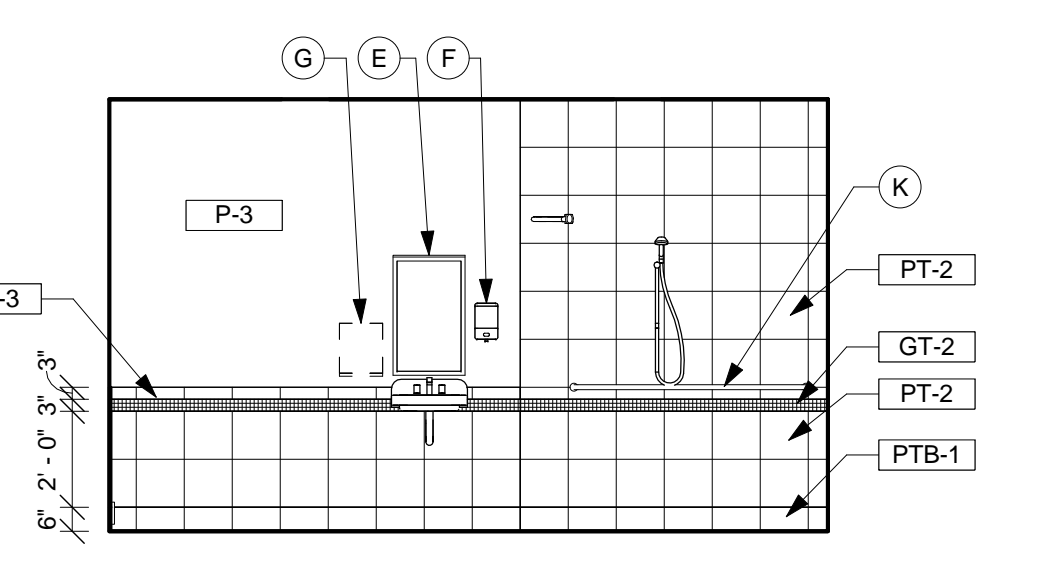
**32 TYP. SINGLE PATIENT ROOM**  
Scale: 1/4" = 1'-0"



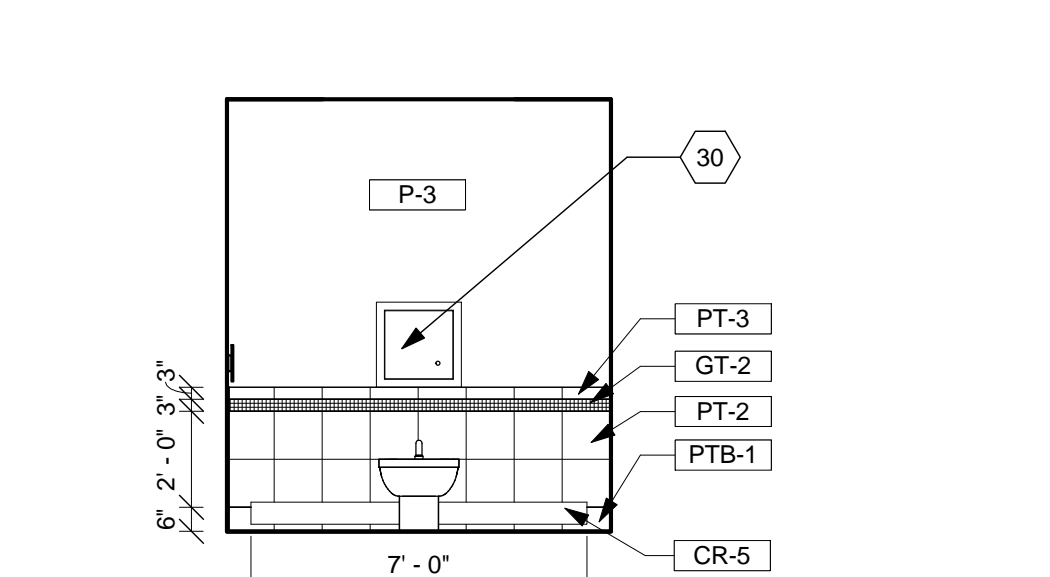
**36 TYP. PATIENT TOILET**  
Scale: 1/4" = 1'-0"



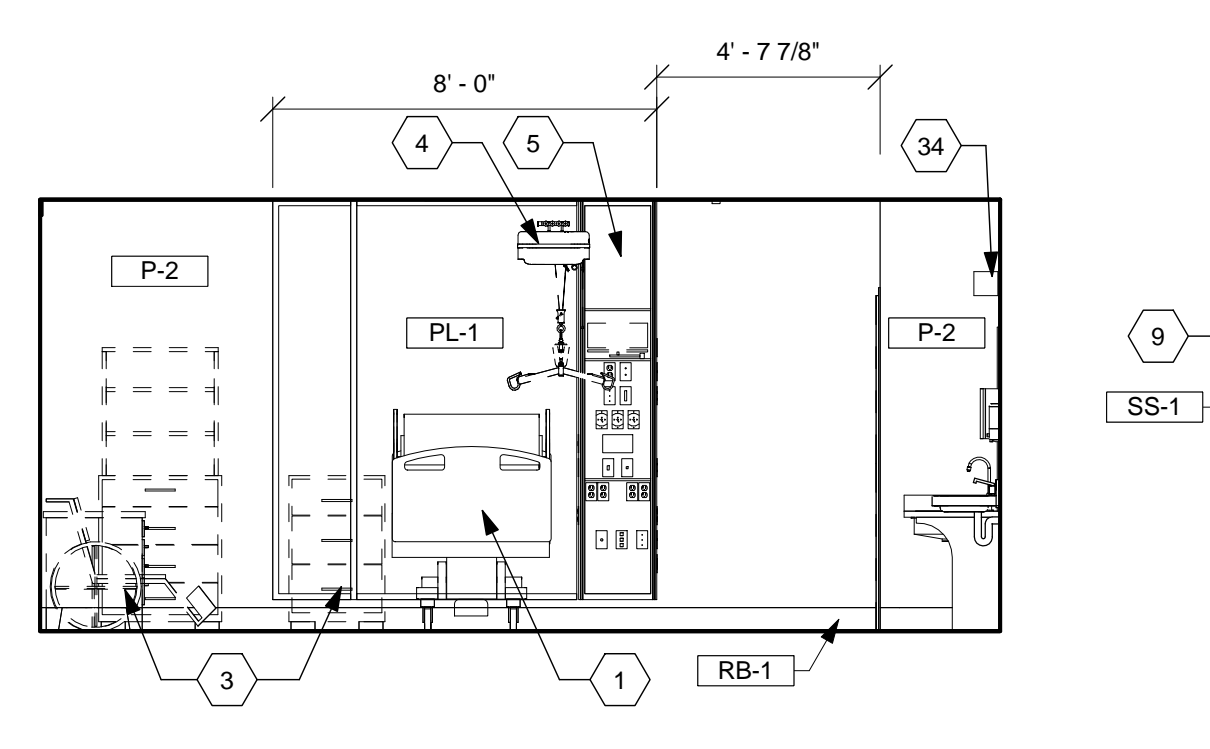
**35 TYP. PATIENT TOILET**  
Scale: 1/4" = 1'-0"



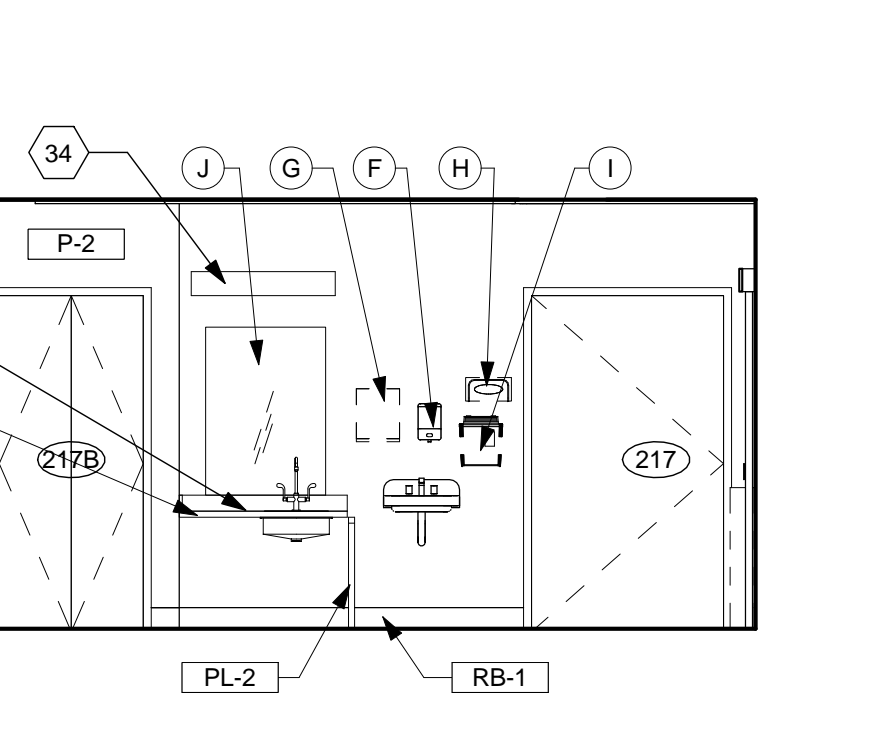
**34 TYP. PATIENT TOILET**  
Scale: 1/4" = 1'-0"



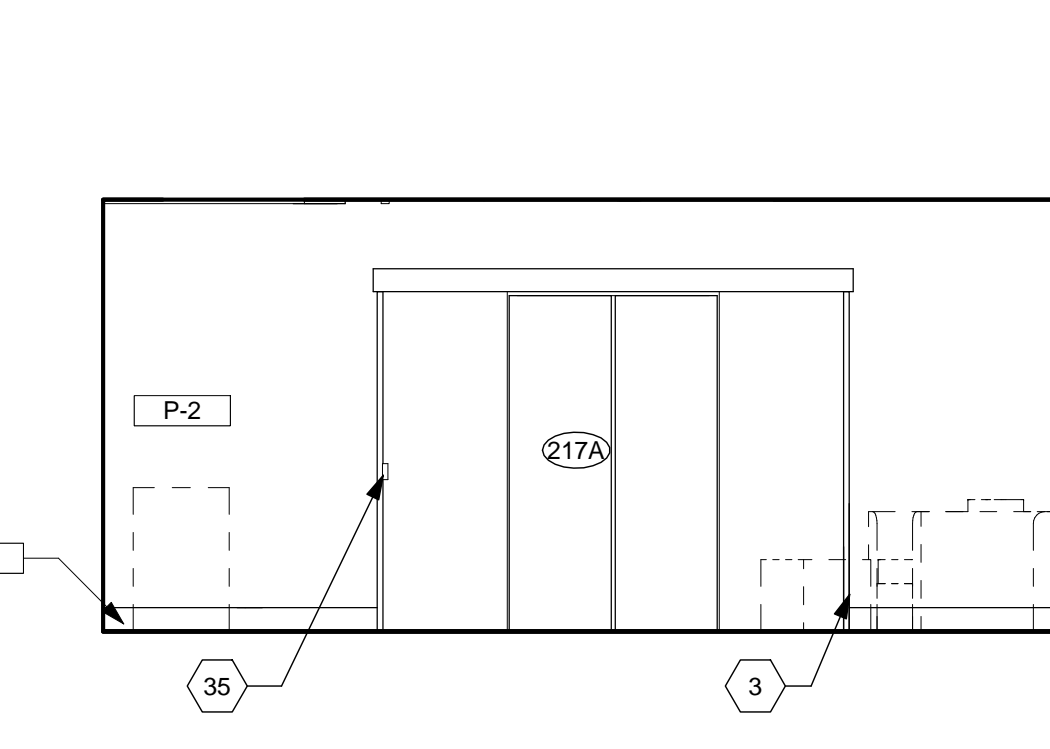
**33 TYP. PATIENT TOILET**  
Scale: 1/4" = 1'-0"



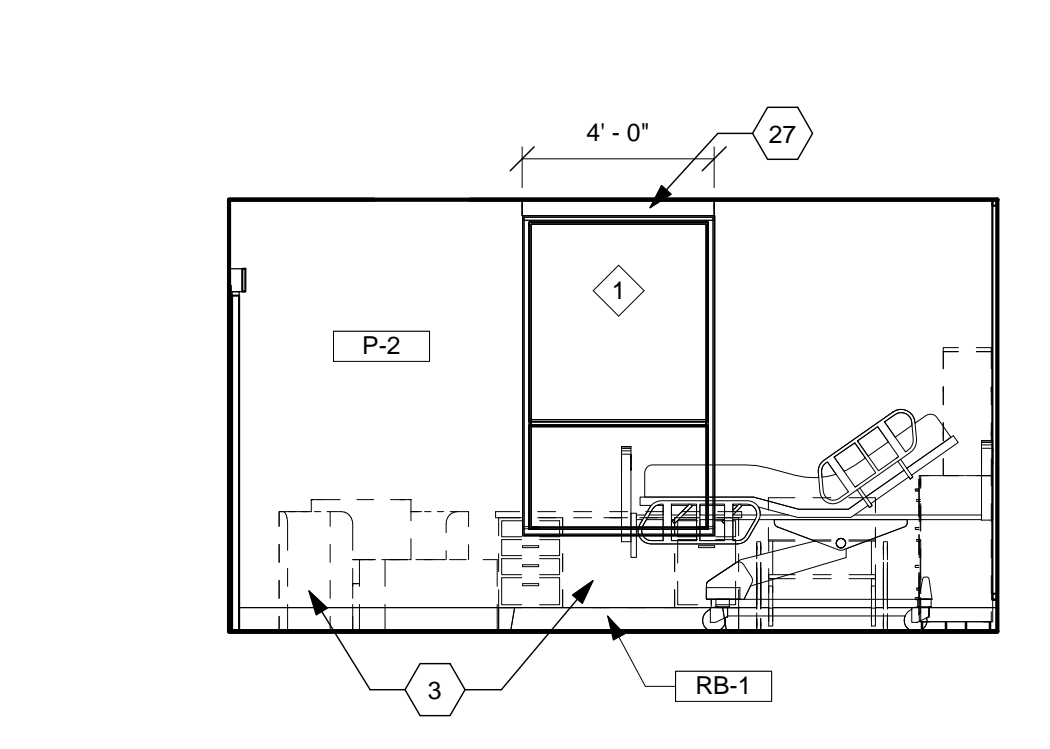
**31 TYP. SINGLE PATIENT ROOM**  
Scale: 1/4" = 1'-0"



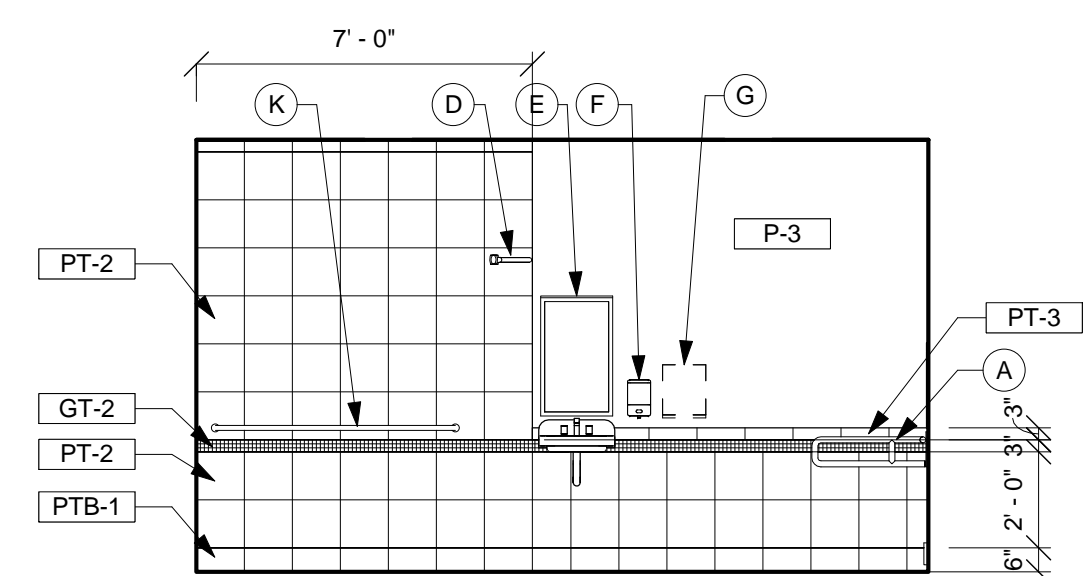
**30 TYP. SINGLE PATIENT ROOM**  
Scale: 1/4" = 1'-0"



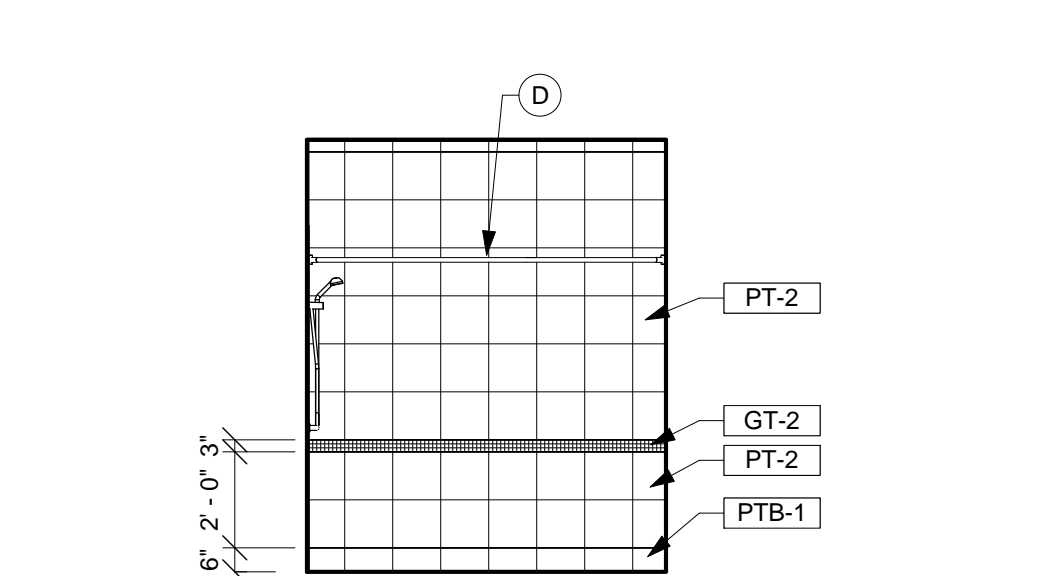
**29 TYP. SINGLE PATIENT ROOM**  
Scale: 1/4" = 1'-0"



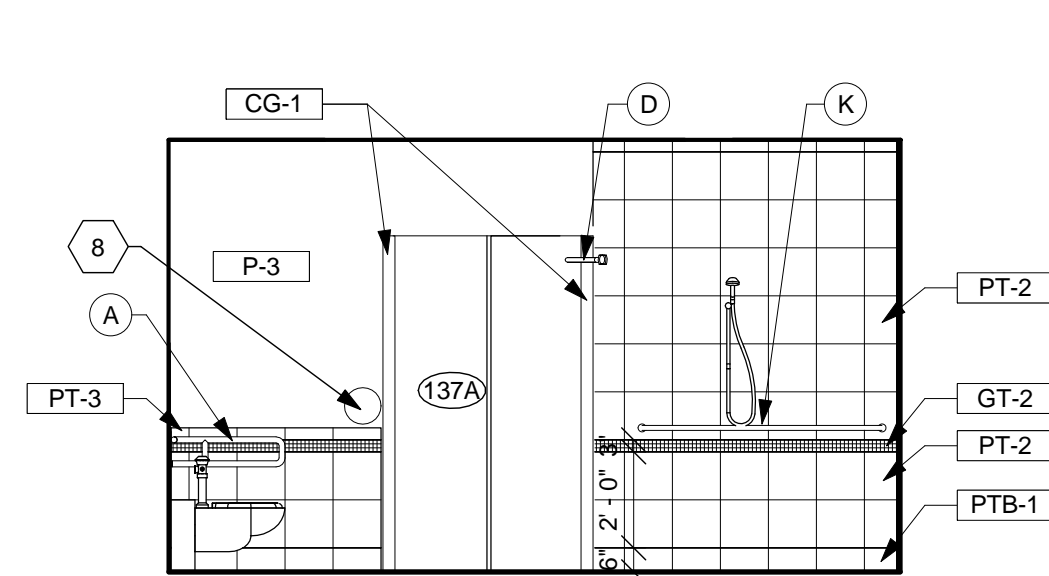
**28 TYP. SINGLE PATIENT ROOM**  
Scale: 1/4" = 1'-0"



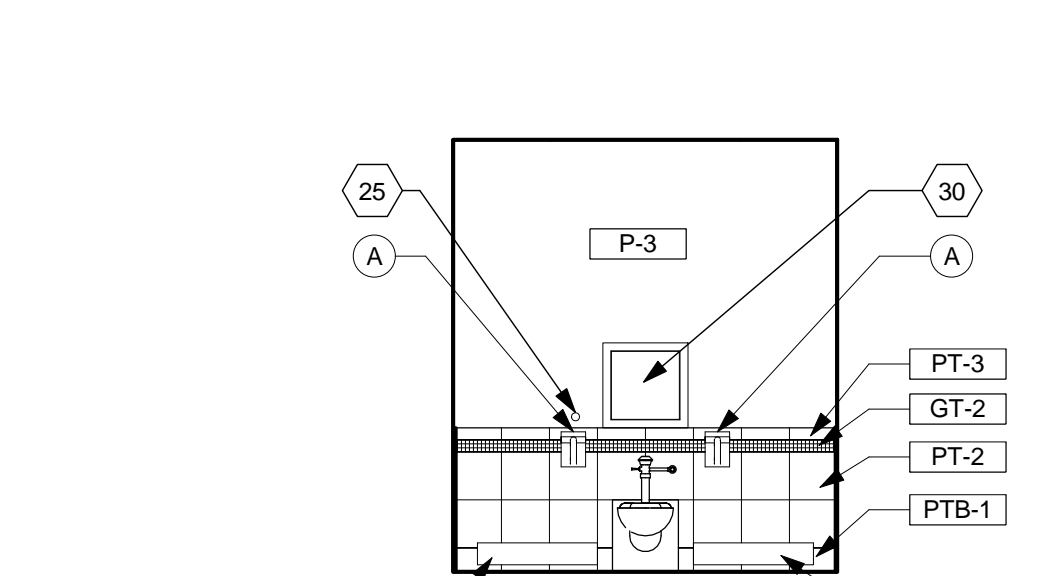
**27 TYP. DOUBLE PATIENT TOILET**  
Scale: 1/4" = 1'-0"



**26 TYP. PATIENT TOILET**  
Scale: 1/4" = 1'-0"

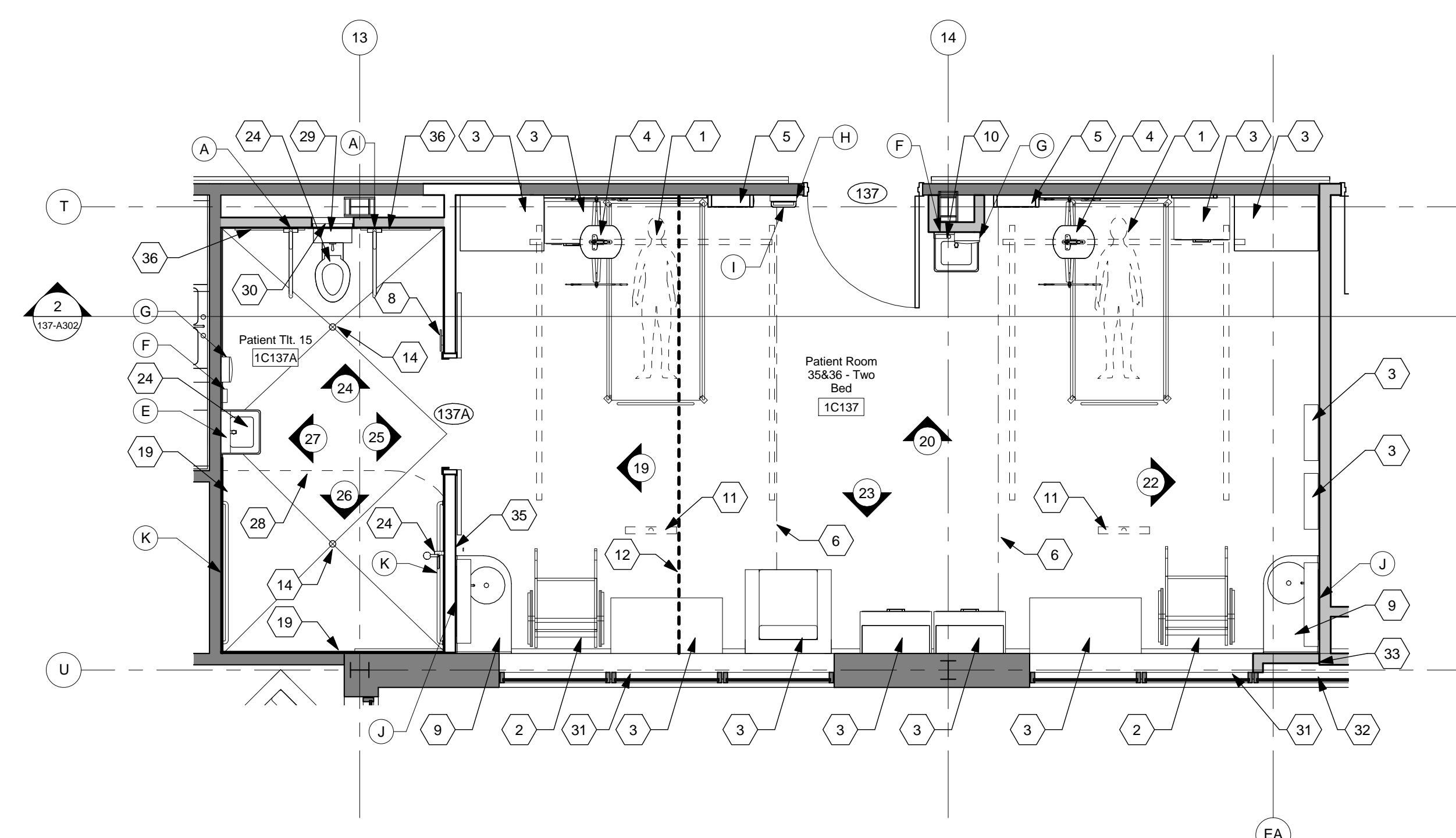


**25 TYP. PATIENT TOILET**  
Scale: 1/4" = 1'-0"

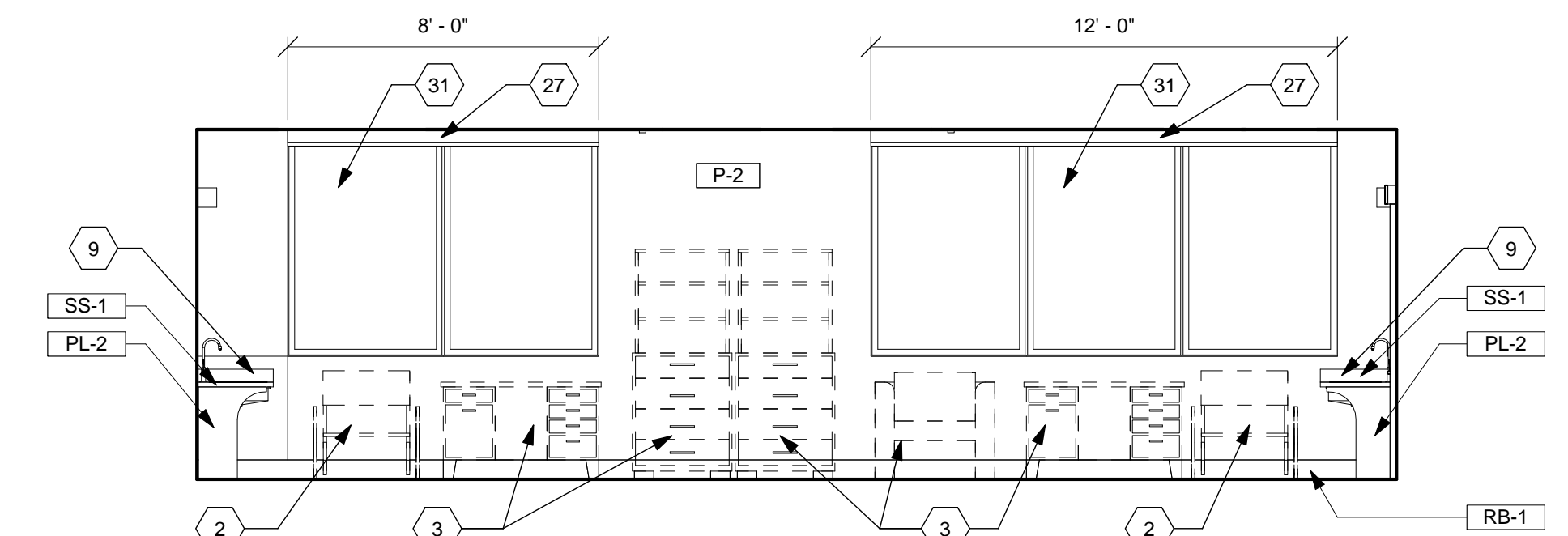


**24 TYP. PATIENT TOILET**  
Scale: 1/4" = 1'-0"

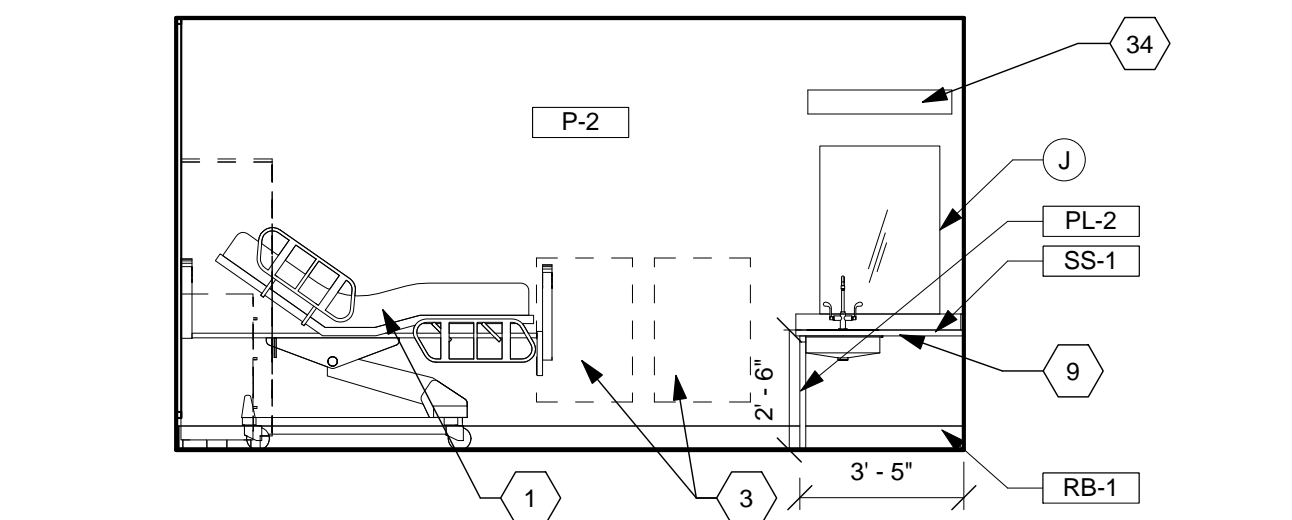
TOILET ACCESSORIES SCHEDULE		
MARK	ITEM	COMMENTS
A	29" LONG DROP DOWN GRAB BAR W/ TOILET PAPER HOLDER	CONTRACTOR FURNISHED AND INSTALLED
B	GRAB BAR 36" LENGTH	CONTRACTOR FURNISHED AND INSTALLED
C	GRAB BAR 42" LENGTH	CONTRACTOR FURNISHED AND INSTALLED
D	CURVED SHOWER CURTAIN ROD	CONTRACTOR FURNISHED AND INSTALLED
E	24" X 36" FRAMED ANGLED MIRROR	CONTRACTOR FURNISHED AND INSTALLED
F	SOAP DISPENSER	OWNER FURNISHED AND INSTALLED
G	PAPER TOWEL DISPENSER	OWNER FURNISHED AND INSTALLED
H	GLOVE DISPENSER	OWNER FURNISHED AND INSTALLED
I	SHARPS CONTAINER	OWNER FURNISHED AND INSTALLED
J	30" X 42" UNFRAMED MIRROR	CONTRACTOR FURNISHED AND INSTALLED
K	GRAB BAR 60" LENGTH	CONTRACTOR FURNISHED AND INSTALLED



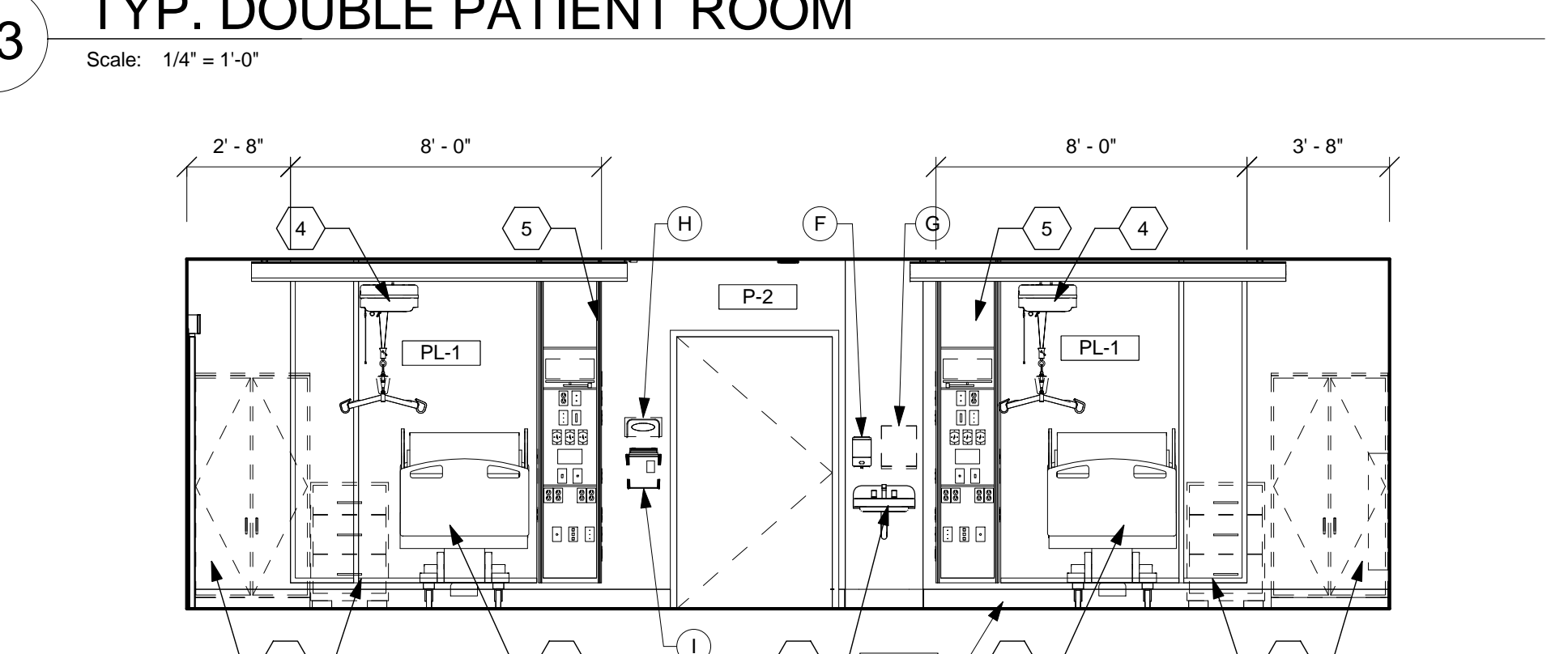
**21 TYP. DOUBLE PATIENT ROOM**  
Scale: 1/4" = 1'-0"



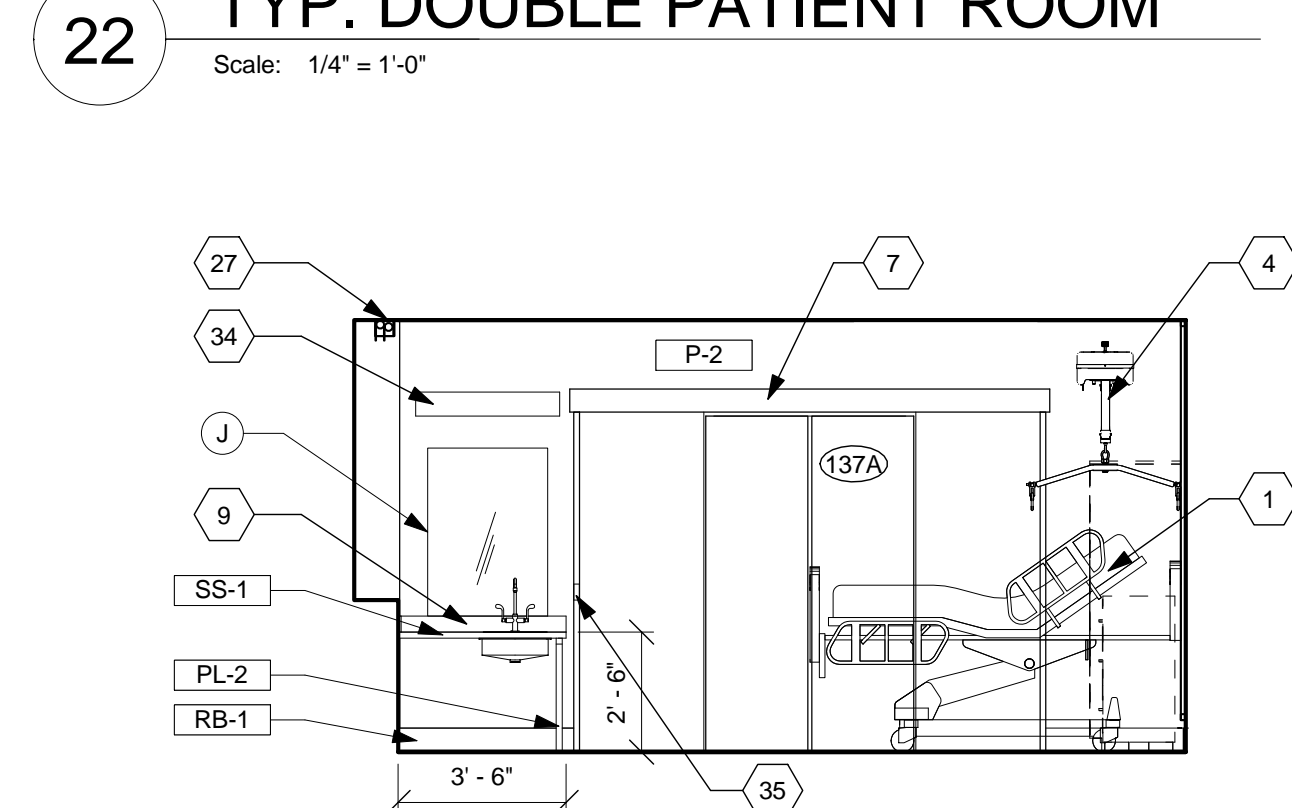
**23 TYP. DOUBLE PATIENT ROOM**  
Scale: 1/4" = 1'-0"



**22 TYP. DOUBLE PATIENT ROOM**  
Scale: 1/4" = 1'-0"

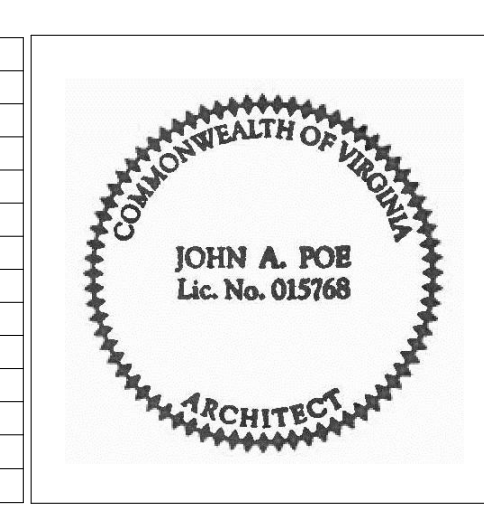


**20 TYP. DOUBLE PATIENT ROOM**  
Scale: 1/4" = 1'-0"



**19 TYP. DOUBLE PATIENT ROOM**  
Scale: 1/4" = 1'-0"

1	Addendum 2	05/29/2013
Revisions	Date	



CONSULTANTS:

ARCHITECT/ENGINEERS:  
**RDC/JOHN POE ARCHITECTS**  
524 FERNWOOD DRIVE  
ALTIMONTE SPRINGS, FLORIDA 32701  
937 461 3290 PHONE  
937 461 0260 FAX  
1-800-362-1523  
jpa@jppoe.com

Drawing Title  
**PATIENT BEDROOM ENLARGED PLANS AND INTERIOR ELEVATIONS**  
Approved: Project Director

Project Title  
**Hampton VA, VAMC Renovate / Expand SCI, Phase II, 590-911**  
Building Number: 137  
Checked: TH  
Drawn: KG  
Location: Hampton, Va  
Date: 05/03/2013  
Project No.: 590-911  
RDC/JPA Project No.: 11004.00  
Drawing Number: 137-A402  
Dwg. 35 of 136

