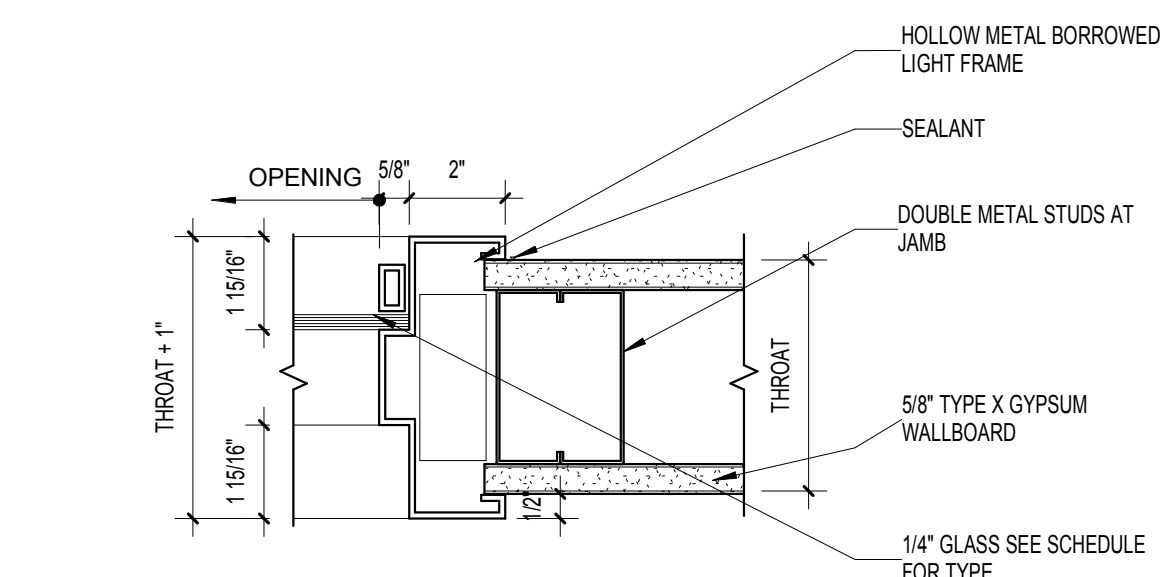
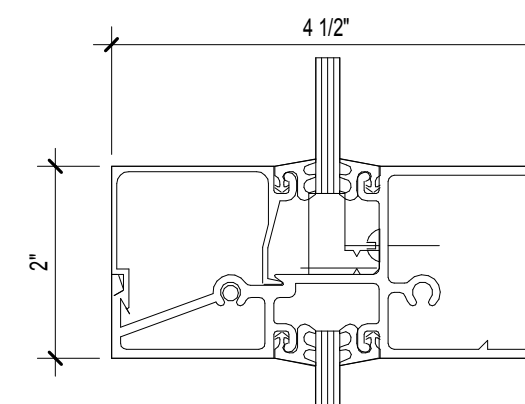


**GENERAL NOTES**

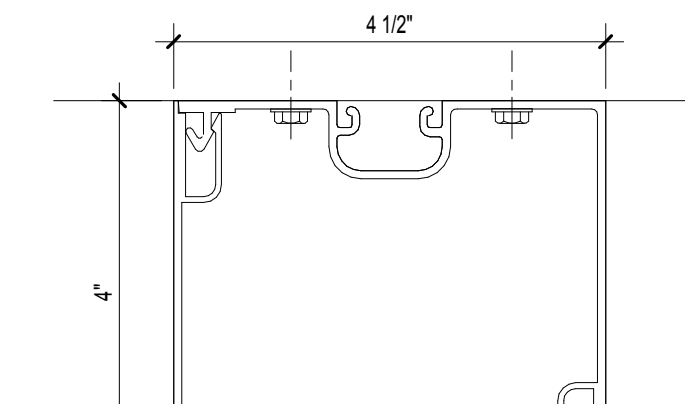
1. CONTRACTOR TO VERIFY SIZE AND LOCATION OF ALL EXTERIOR WINDOWS. PRIOR TO INSTALLATION VERIFY SILL AND FALSHING DETAILS. REFER TO SPECIFICATIONS FOR MORE INFORMATION.



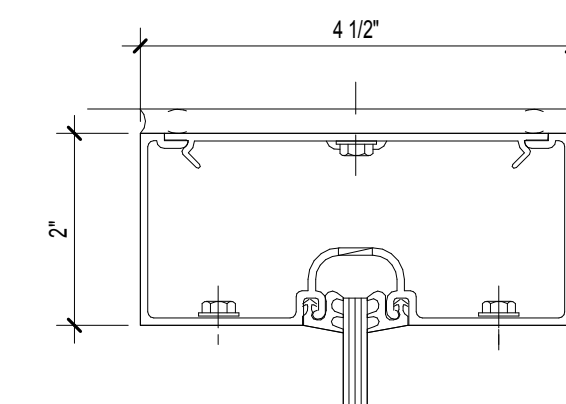
**(A6) BORROW LIGHT FRAME DETAIL 1**  
3" = 1'-0"



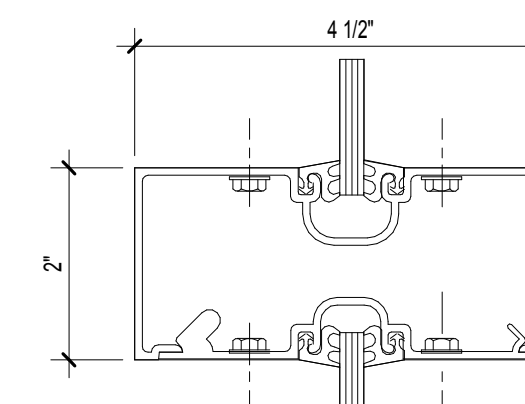
**HORIZONTAL MULLION I**



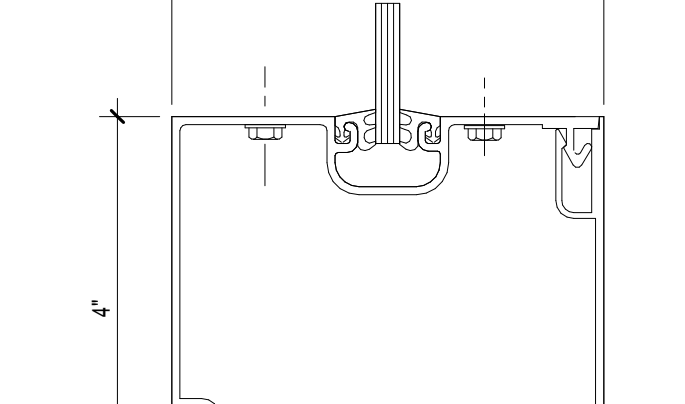
**HEAD DETAIL N**



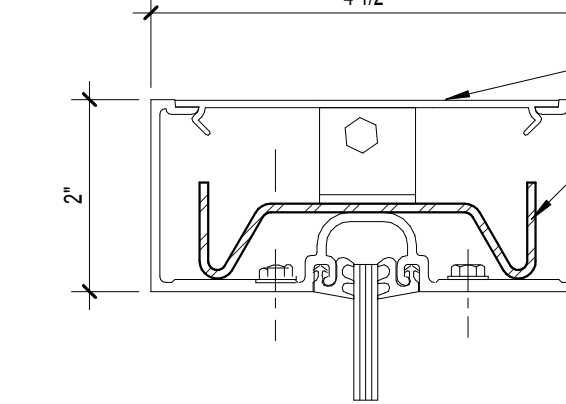
**JAMB DETAIL P**



**VERTICAL MULLION J**

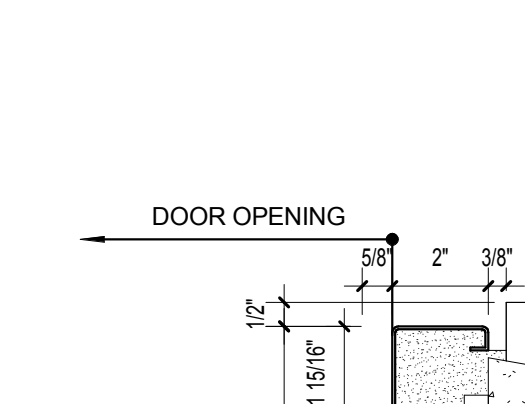


**SILL DETAIL K**

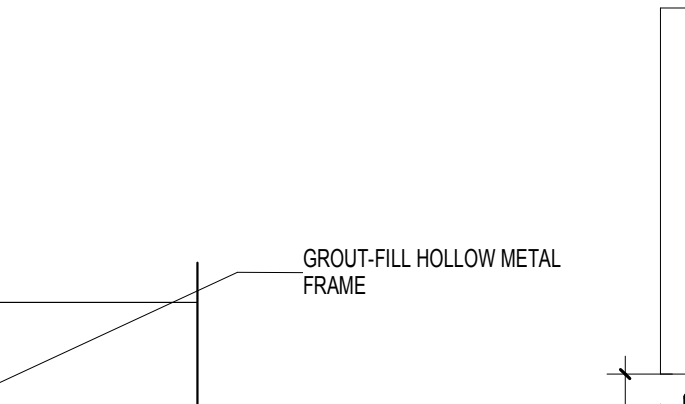


**JAMB REINFORCED L**

**(C6) STOREFRONT DETAILS**  
6" = 1'-0"

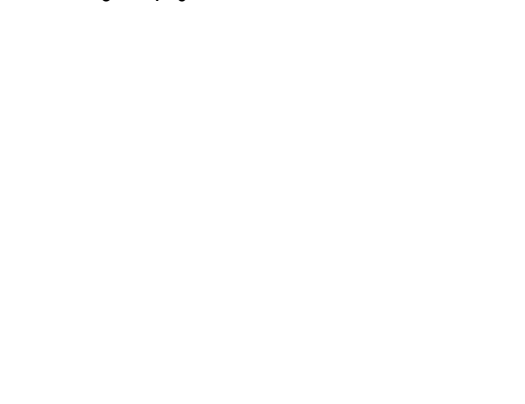


**JAMB DETAIL**



**HEAD DETAIL**

**(D6) FRAME DETAIL TYPE E**  
3" = 1'-0"



**JAMB DETAIL**



**HEAD DETAIL**

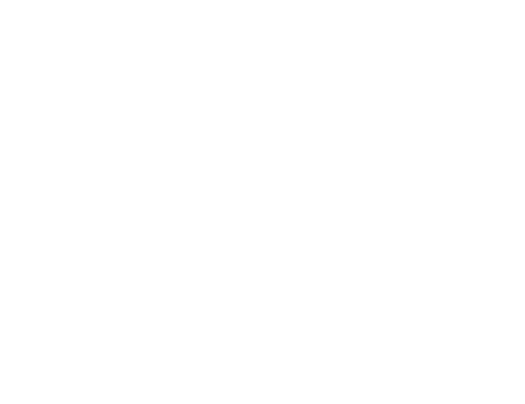


**JAMB DETAIL**



**HEAD DETAIL**

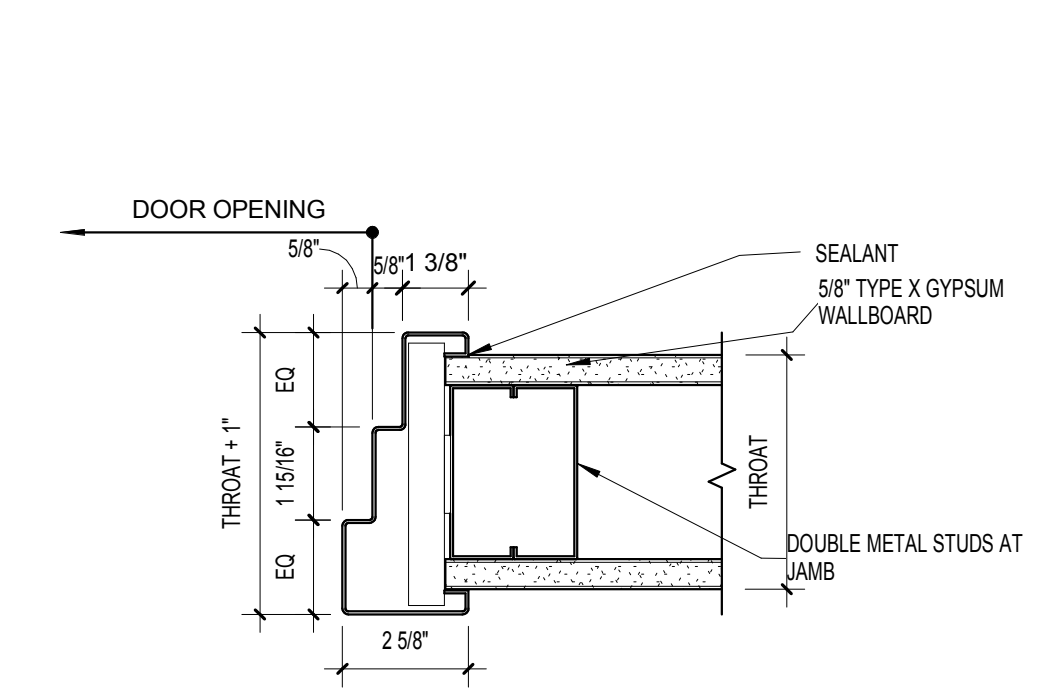
**(F4) FRAME DETAIL TYPE V**  
3" = 1'-0"



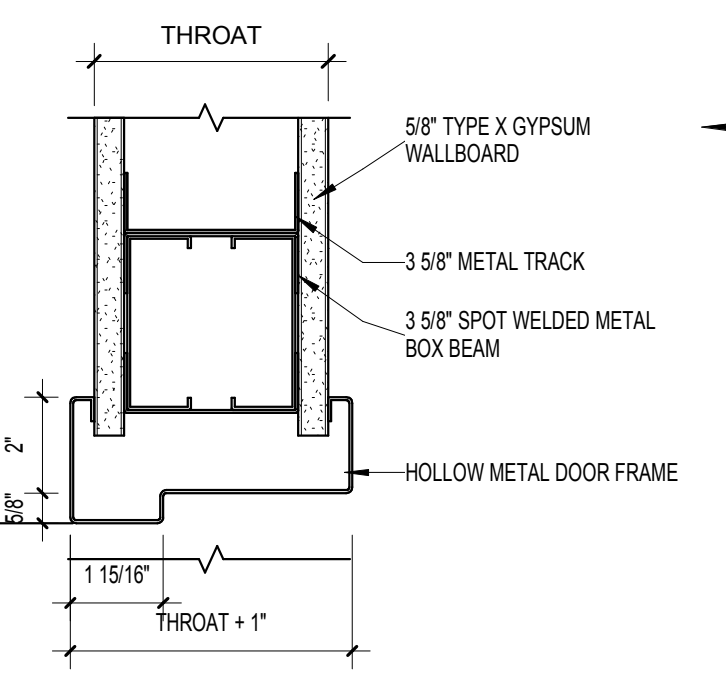
**JAMB DETAIL**



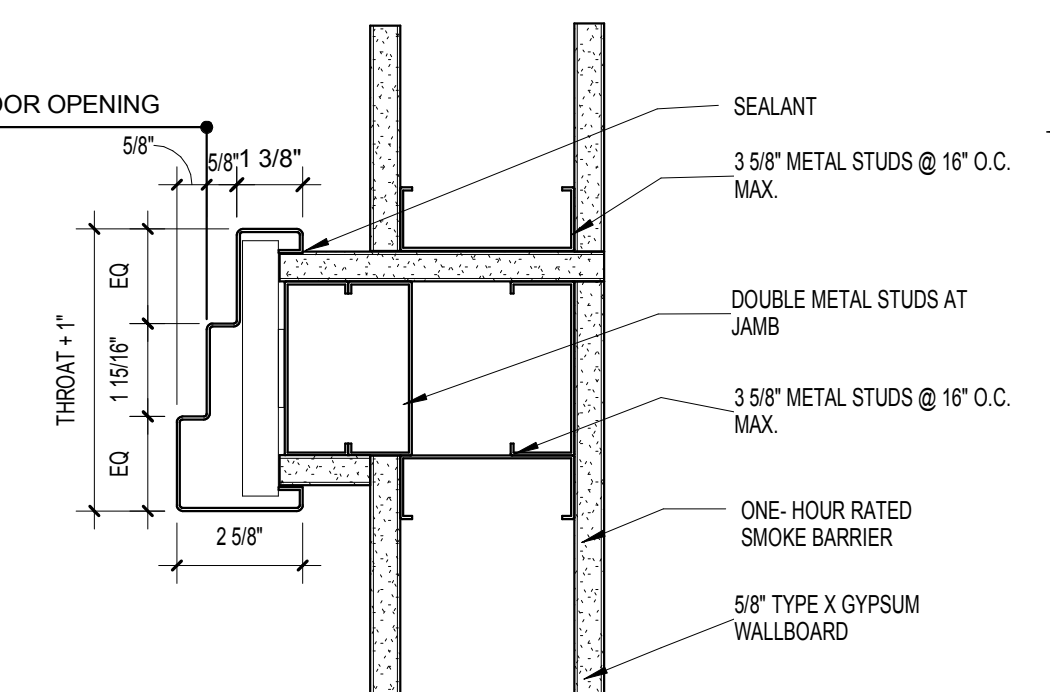
**HEAD DETAIL**



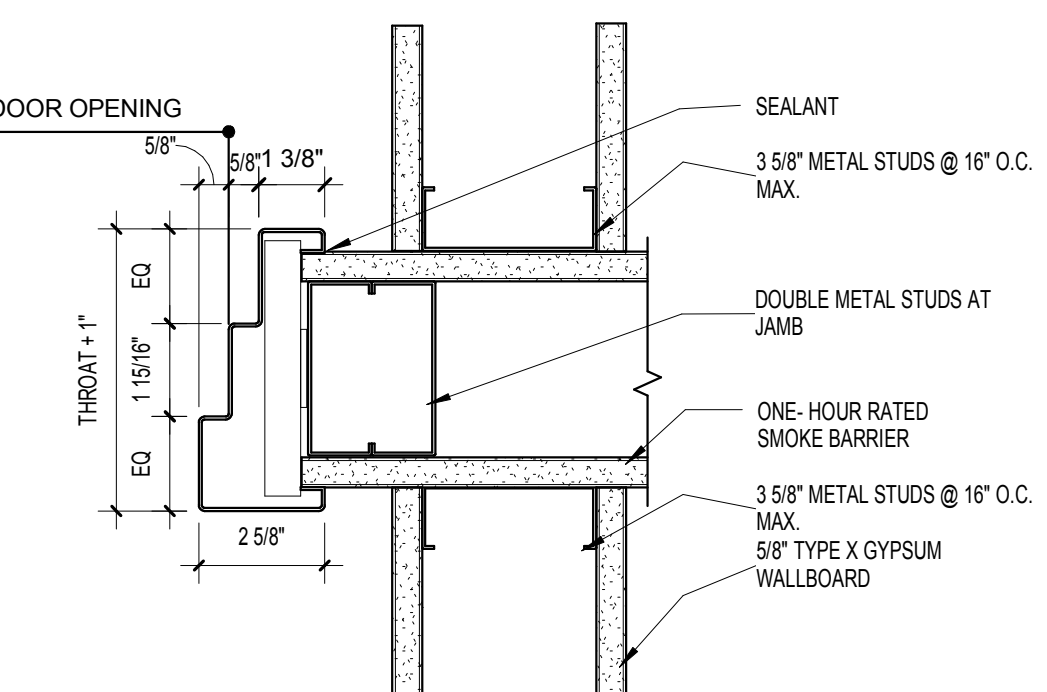
**JAMB DETAIL 1**



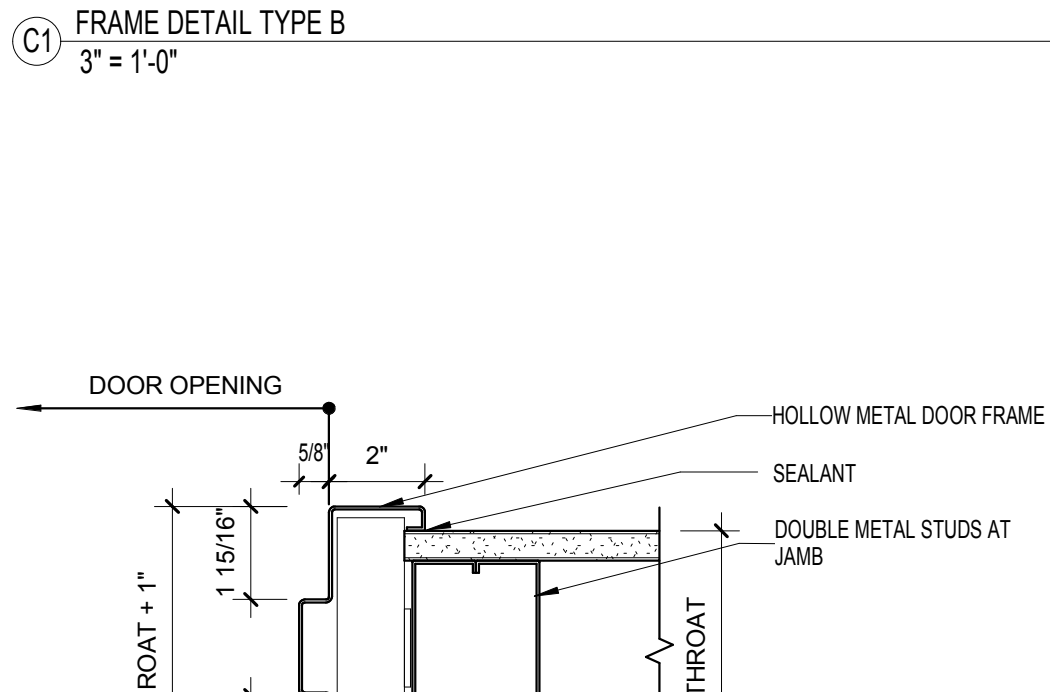
**HEAD DETAIL**



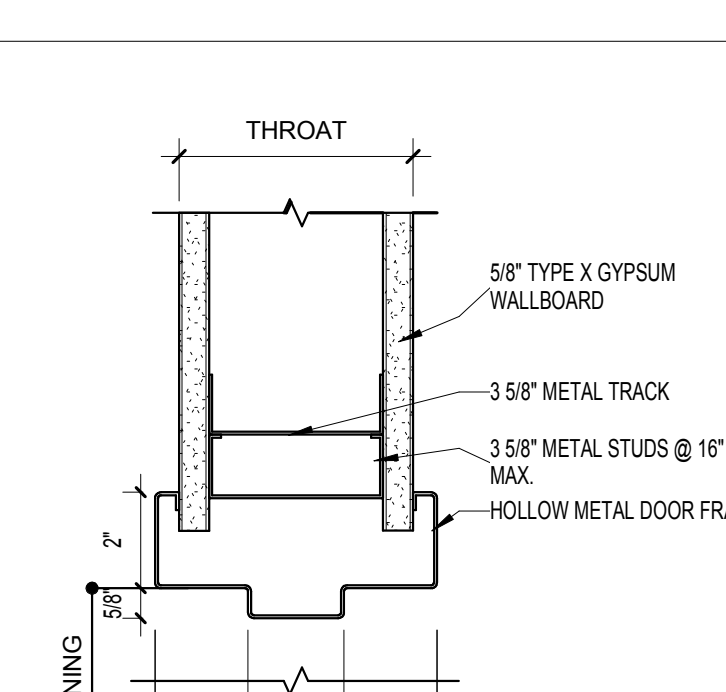
**JAMB DETAIL 2**



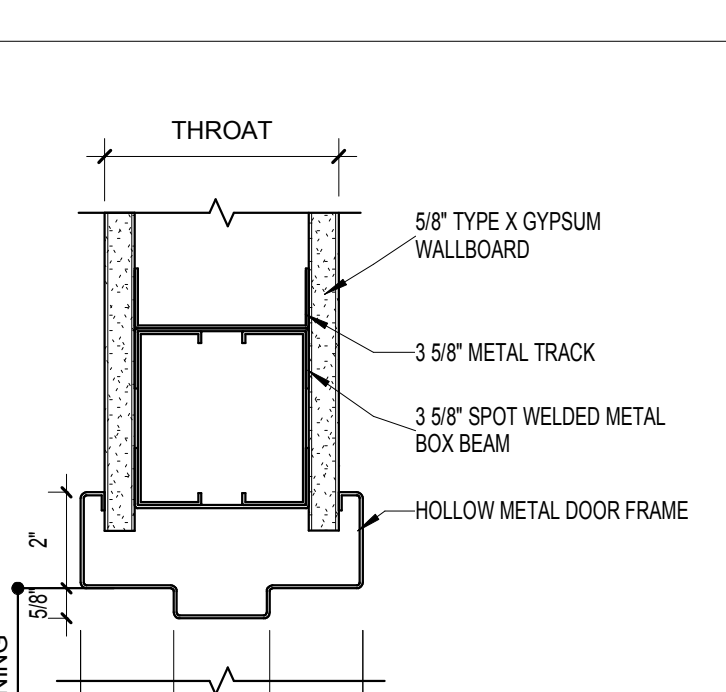
**JAMB DETAIL 3**



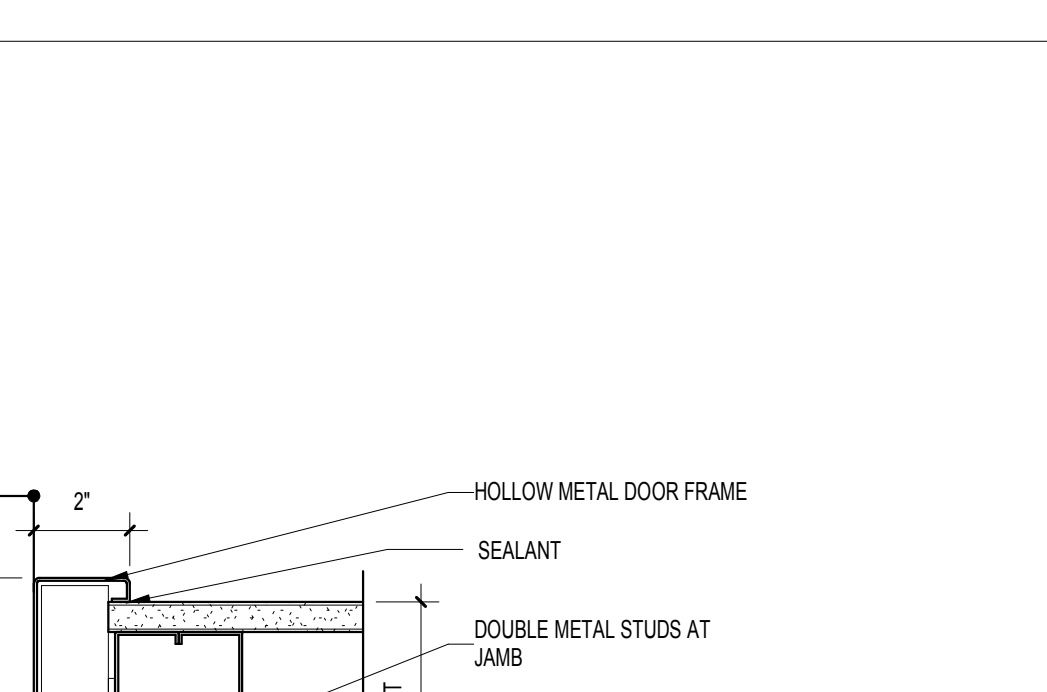
**JAMB DETAIL**



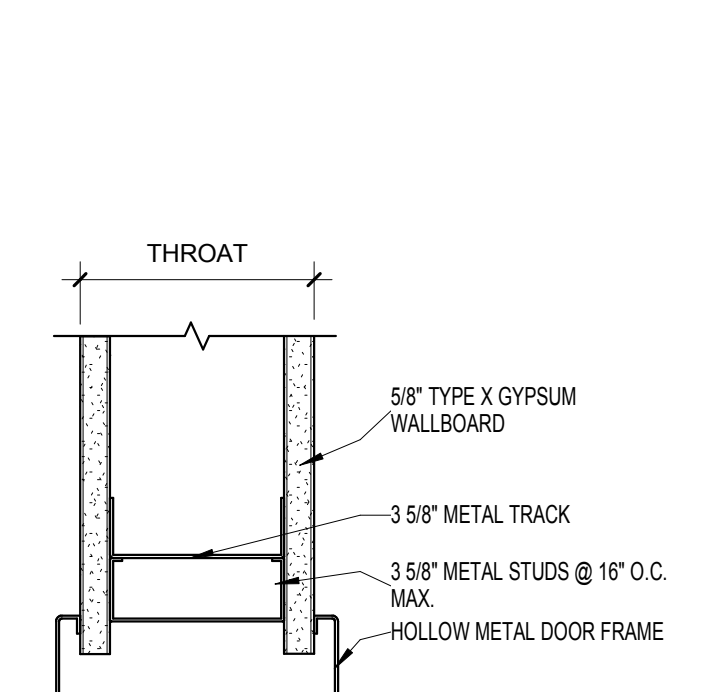
**HEAD DETAIL FOR DOORS BELOW 4'-0"**



**HEAD DETAIL FOR DOORS 4'-0" AND OVER**

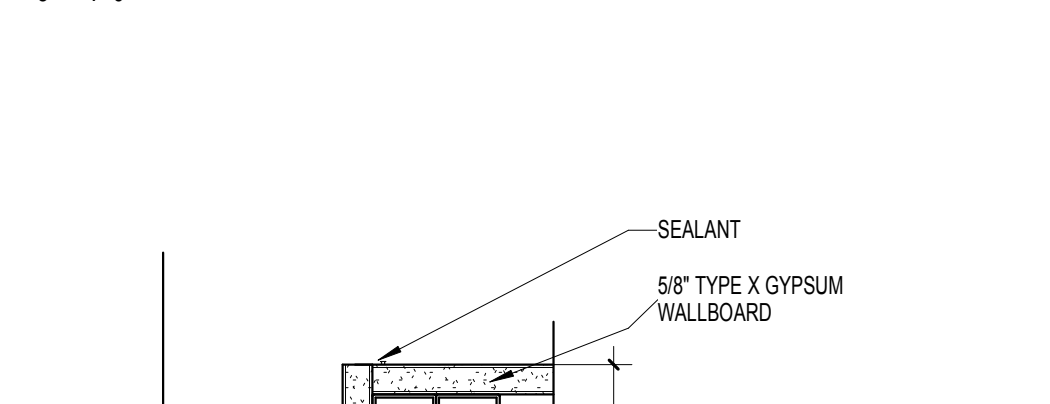


**JAMB DETAIL**



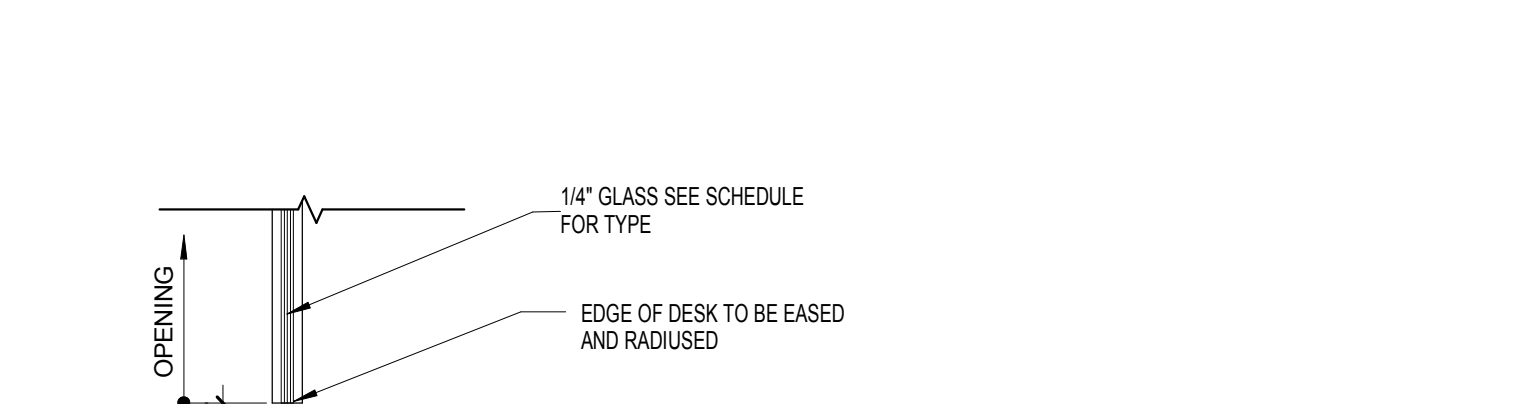
**HEAD DETAIL**

**(D1) FRAME DETAIL TYPE A**  
3" = 1'-0"



**JAMB DETAIL**

**(D4) FRAME DETAIL TYPE C**  
3" = 1'-0"



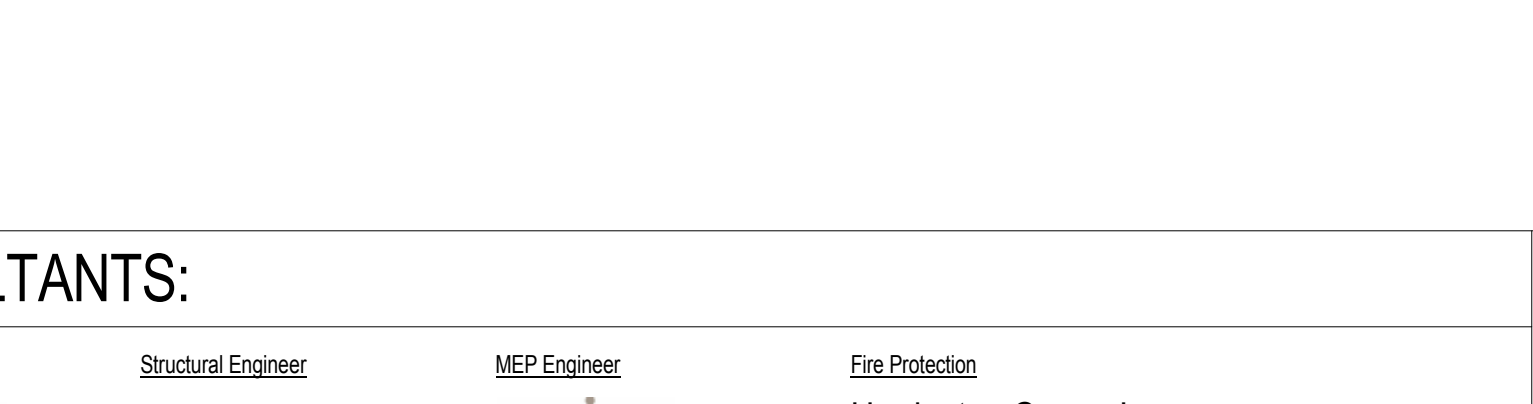
**SILL DETAIL**

**(F1) DETAIL TYPE W - BORROWED LIGHT FRAME DETAIL WITH TRANSACTION SHELF**  
3" = 1'-0"



**JAMB DETAIL**

**(F4) FRAME DETAIL TYPE V**  
3" = 1'-0"



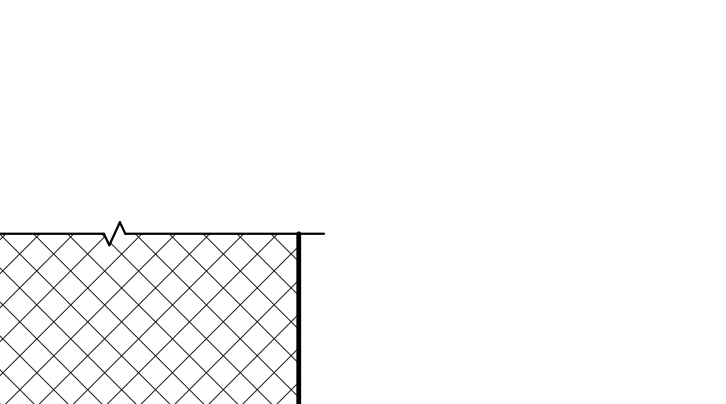
**SILL DETAIL**

**(D4) FRAME DETAIL TYPE C**  
3" = 1'-0"



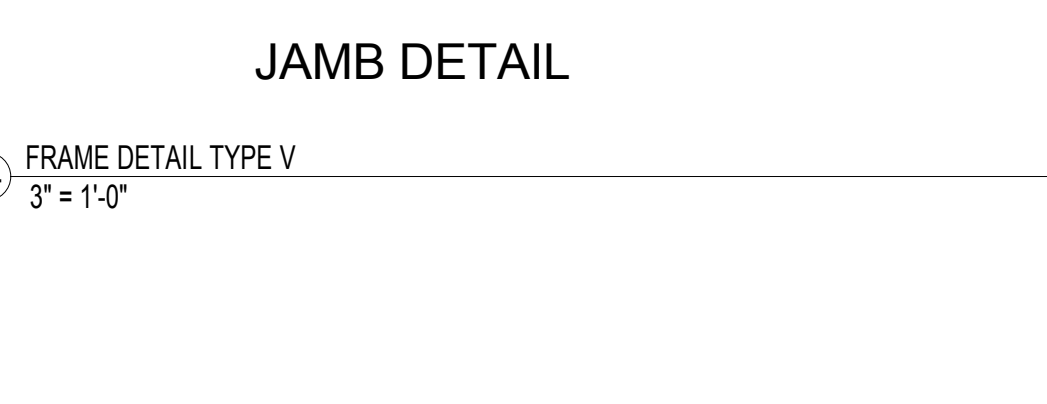
**JAMB DETAIL**

**(D6) FRAME DETAIL TYPE E**  
3" = 1'-0"



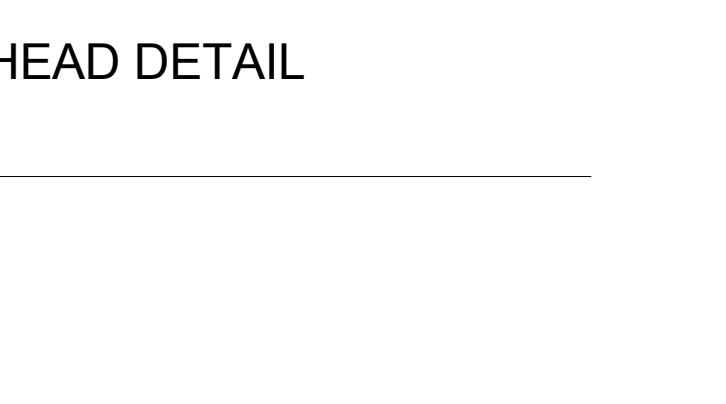
**HEAD DETAIL**

**(F4) FRAME DETAIL TYPE V**  
3" = 1'-0"



**JAMB DETAIL**

**(D6) FRAME DETAIL TYPE E**  
3" = 1'-0"



**HEAD DETAIL**

Revisions	Date

CONSULTANTS:			
<b>Architects-Interiors</b>  2520 Renaissance Blvd Suite 110 King of Prussia, PA 19406 Tel: (610) 270-5599 Fax: (610) 270-5995	<b>Structural Engineer</b>  180 W. Ridge Pike Limerick, PA 19468 Tel: (214) 329-5559	<b>MEP Engineer</b>  6325 Woodside Court Columbia, MD 21046 Tel: (919) 858-7420	<b>Fire Protection</b> Harrington Group, Inc. 7508 E. Independence Blvd Suite 116 Charlotte, NC 28227 Tel: (704) 531-9077 Fax: (704) 567-7087

PROJECT MANAGER:		Project Number	Scale
 410 East 21st Street Chester, PA 19013 Tel: (215) 518-0864 Fax: (484) 428-1547		3545	As indicated

Drawing Title	Project Title	VA Project Number
DOOR AND BORROWED LIGHT FRAME DETAILS	BUILDING 3 OUTPATIENT MEDICAL SUITES AND LAB	542-09-120 / Buildin:542-09-121
Approved: Project Director	Location 1400 Black Horse Hill, Coatesville, PA	Drawing Number AE606
Date 04-23-2012	Checked WC	Drawn BG
		Dwg. 58 of 127

Office of Facilities Management



FULLY SPRINKLERED  
BID DOCUMENT