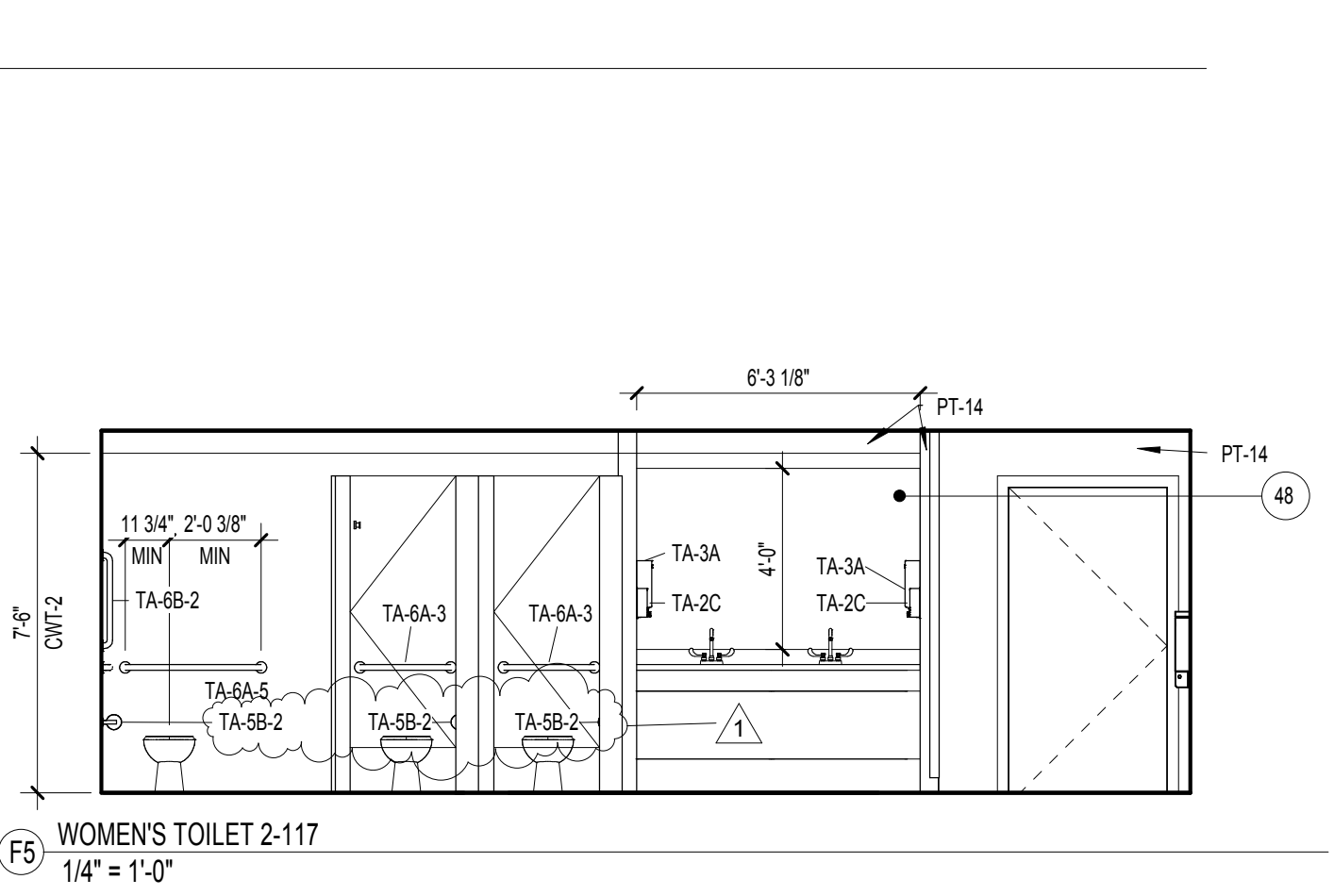
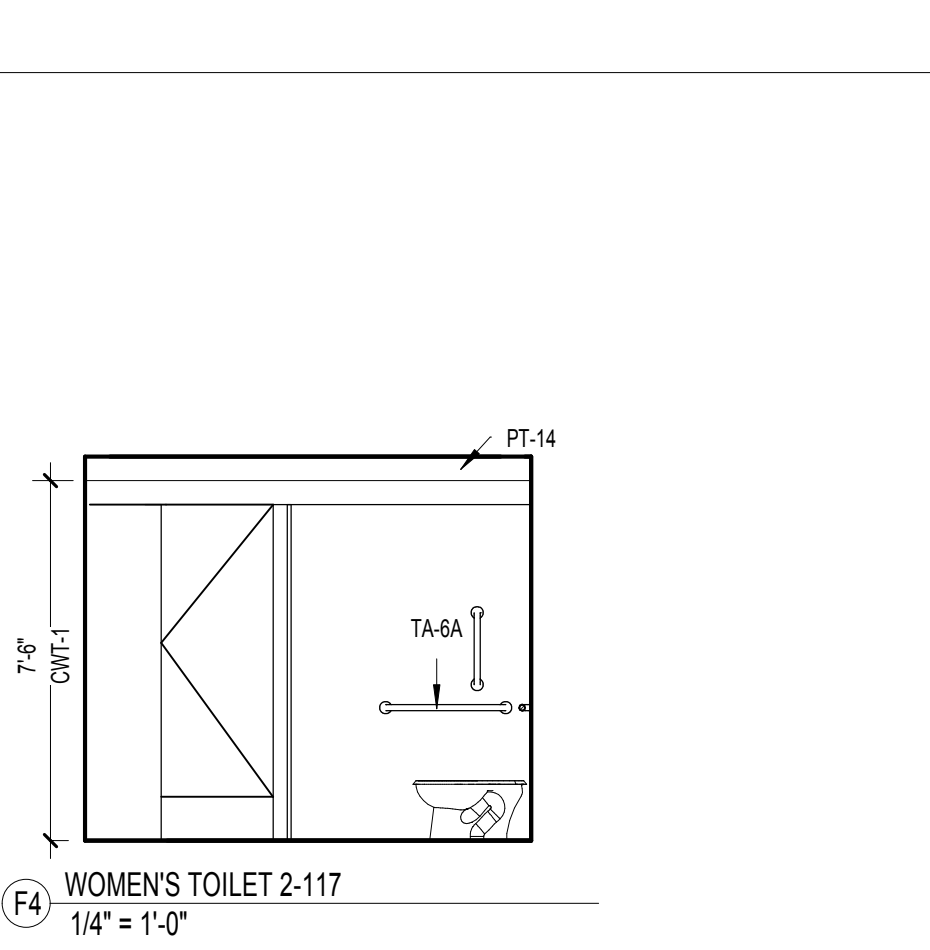
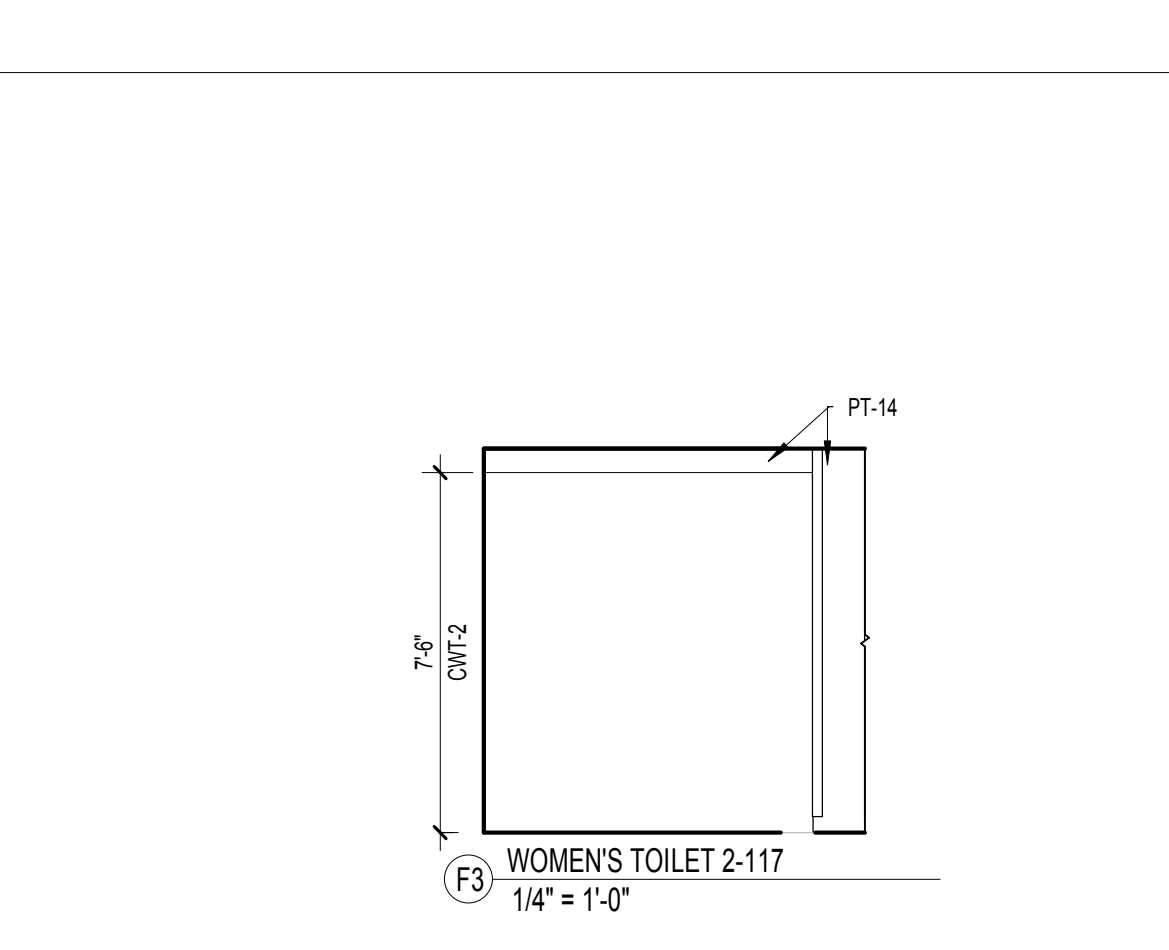
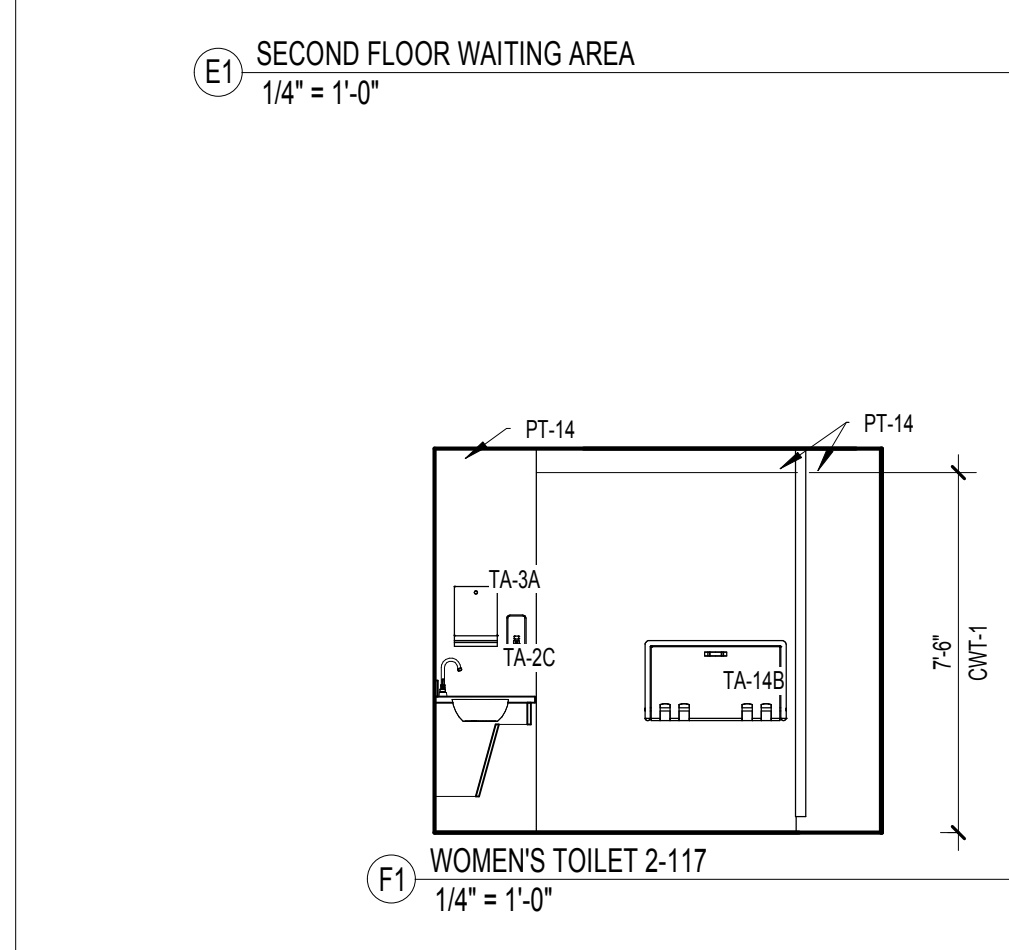


- ### INTERIOR ELEVATION KEYNOTES
- 1 PLASTIC LAMINATE FILLER PANEL.
 - 2 FINISH EXPOSED SIDE OF BASE CABINET WITH PLASTIC LAMINATE.
 - 3 PLASTIC LAMINATE END PANEL.
 - 4 1" PLASTIC LAMINATE SUPPORT LEG.
 - 5 SLOPED PLASTIC LAMINATE FASCIA PANEL ABOVE WALL CABINET, TYPICAL.
 - 6 PLASTIC WALL PROTECTION.
 - 7 CORNER GUARD.
 - 8 HANDRAIL, MOUNT TOP AT 2'-10" A.F.F., U.N.O.
 - 9 BUMPER GUARD.
 - 10 ARCHITECTURAL CONCRETE BENCH BELOW STAIRS. REFER TO DETAIL B8AE02.
 - 11 FABRIC WRAP TACK BOARD.
 - 12 4" HIGH SOLID SURFACE BACK AND SIDE SPLASHES.
 - 13 SOLID SURFACE WINDOW SILL.
 - 14 WALL OPENING TO BE SCORED TO REFRIGERATOR BOX.
 - 15 SCHEDULED BASE AT RECESSED TOE KICK.
 - 16 SCHEDULED BASE.
 - 17 GYPSUM WALL BOARD SOFFIT.
 - 18 CONTINUOUS WIRE MOLD, REFER TO ELECTRICAL DRAWINGS.
 - 19 CONTINUOUS 2" HANGER.
 - 20 SEGMENTED REMOVABLE ACCESS PANEL.
 - 21 WALL SCIENCE.
 - 22 FLOATING CEILING. REFER TO FINISH PLAN FOR MORE INFORMATION.
 - 23 PROVIDE LOCKS ON CABINETS AND DRAWERS AS NECESSARY.
 - 24 SOLID SURFACE POLYMER END PANEL.
 - 25 60K GRID RAILING WITH CHESTNUT HANDRAIL, OR APPROVED EQUAL. REFER TO SHEET AE402 FOR DETAILS.
 - 26 1/4" NON-VENTED METAL REVEAL.
 - 27 1" REVEAL IN CONCRETE WALL.
 - 28 LAMINATE AND TEMPERED GLASS.
 - 29 METAL SHELVES ON ADJUSTABLE BRACKETS WITH SLOPED TOP.
 - 30 CUBICLE CURTAIN AND TRACK.
 - 31 METAL SUPPORT BRACKET.
 - 32 CORK BOARD, THERMO SCIENTIFIC HAMILTON MAX LAB SYSTEM, OR APPROVED EQUAL.
 - 33 EPDM RESIN WORK SURFACE, THERMO SCIENTIFIC HAMILTON MAX LAB SYSTEM, OR APPROVED EQUAL.
 - 34 12" METAL SHELVING ON ADJUSTABLE BRACKETS, THERMO SCIENTIFIC HAMILTON MAX LAB SYSTEM, OR APPROVED EQUAL.
 - 35 METAL BASE CABINET WITH 4 INCH TOE KICK, THERMO SCIENTIFIC HAMILTON MAX LAB SYSTEM, OR APPROVED EQUAL.
 - 36 SUSPENDED METAL WALL CABINET WITH SLIDING GLASS DOORS, THERMO SCIENTIFIC HAMILTON MAX LAB SYSTEM, OR APPROVED EQUAL.
 - 37 METAL BASE CABINET.
 - 38 SINK PROVIDED BY CASEWORK MANUFACTURER. FAUCET WITH EMERGENCY EYEWASH FIXTURE. REFER TO PLUMBING FIXTURE SCHEDULE.
 - 39 OPENING IN EXISTING BRICK WALL FOR PENETRATION OF HVAC. REFER TO MECHANICAL DRAWINGS FOR DUCT SIZES AND LOCATIONS.
 - 40 TERRA COTTA SILL.
 - 41 TERRA COTTA PORTAL.
 - 42 TASK LIGHTING.
 - 43 SUSPENDED METAL WALL CABINET WITH SLIDING DOORS, THERMO SCIENTIFIC HAMILTON MAX LAB SYSTEM, OR APPROVED EQUAL.
 - 44 METAL MOBILE HEIGHT-ADJUSTABLE TABLE WITH LOWER SHELF, THERMO SCIENTIFIC HAMILTON MAX LAB SYSTEM, OR APPROVED EQUAL. 300 LBS LOAD CAPACITY.
 - 45 ISOLATED TABLE PER USE OF MICROSCOPE. REFER TO ENLARGED PLAN LAB DIAE211.1 FOR LOCATIONS.
 - 46 ADJUSTABLE PLASTIC LAMINATE SHELVES. ALL (6) SIX FACES TO BE LAMINATED PL-1, U.N.O.
 - 47 RECESSED LIGHT FIXTURES. REFER TO REFLECTED CEILING PLAN FOR INFORMATION.
 - 48 PLEXIGLASS SHEET ACRYLIC MIRROR.
 - 49 CONTINUOUS METAL BASE BY LOCKER MANUFACTURER.
 - 50 METAL FILLER PANEL BY LOCKER MANUFACTURER.
 - 51 CONTINUOUS METAL SLOPED TOP BY LOCKER MANUFACTURER.

GENERAL NOTES

1. REFER TO OVERALL ARCHITECTURAL PLAN FOR ARCHITECTURAL KEYNOTES.

FULLY SPRINKLERED BID DOCUMENT



Revisions	Date
Bid RFI Revisions-3545	05-23-13

CONSULTANTS:			
Architects-Interiors ARRAY 2520 Renaissance Blvd Suite 110 King of Prussia, PA 19406 Tel: (610) 270-5599 Fax: (610) 270-5995	Structural Engineer WZG 180 W. Ridge Pike Limerick, PA 19468 Tel: (214) 329-5559	MEP Engineer APOGEE 6325 Woodside Court Columbia, MD 21046 Tel: (919) 858-7420	Fire Protection Harrington Group, Inc. 7508 E. Independence Blvd Suite 116 Charlotte, NC 28227 Tel: (704) 531-9077 Fax: (704) 567-7087

PROJECT MANAGER:		Project Number	Scale
Bray Mooney Consulting 410 East 21st Street Chester, PA 19013 Tel: (215) 518-0864 Fax: (484) 428-1547		3545	As Indicated

Drawing Title	Project Title
ENLARGED PLANS AND INTERIOR ELEVATIONS - MAIN WAITING	BUILDING 3 OUTPATIENT MEDICAL SUITES AND LAB
Approved: Project Director	Location 1400 Black Horse Hill, Coatesville, PA
	Date 04-23-2012
	Checked WC
	Drawn BG

VA Project Number	Building Number	Drawing Number	Dwg. 19 of 79
542-09-121		AE203.1	

Office of Facilities Management