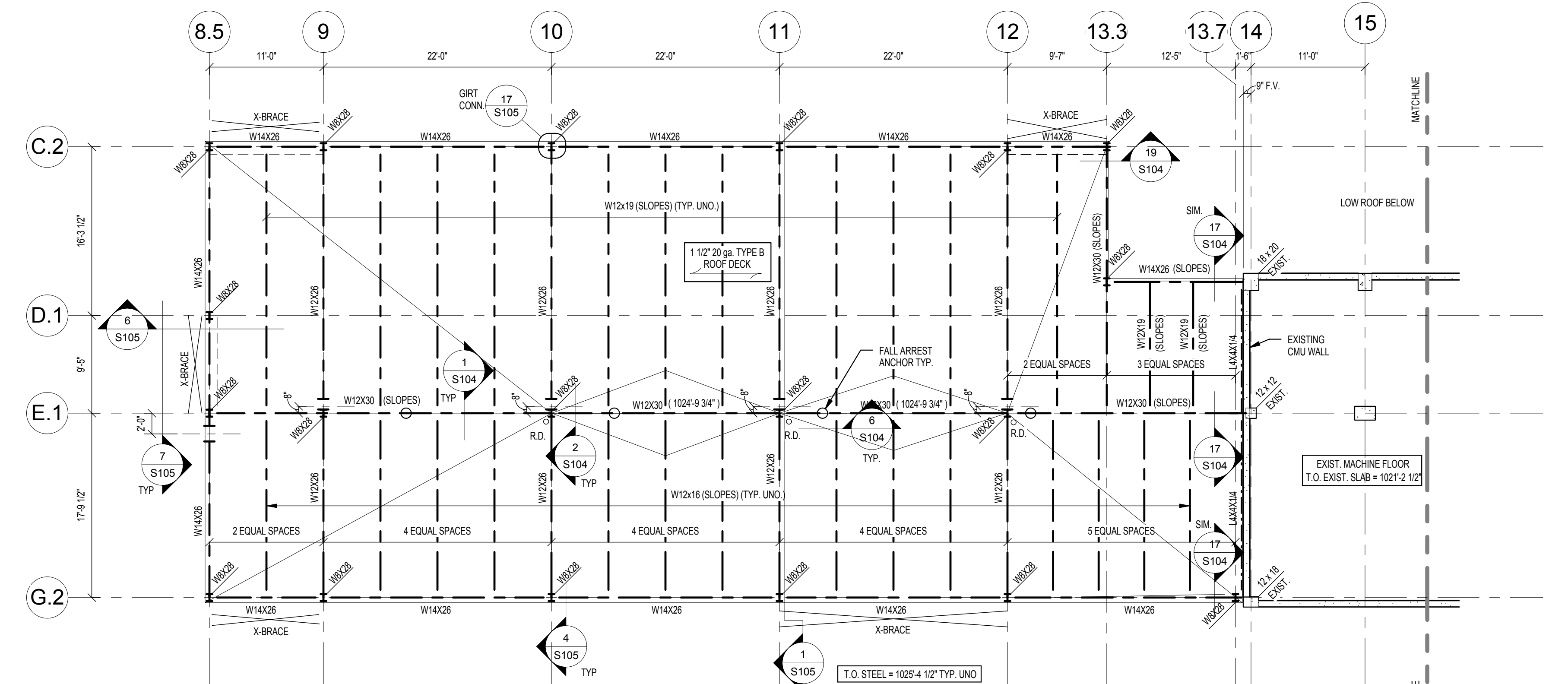


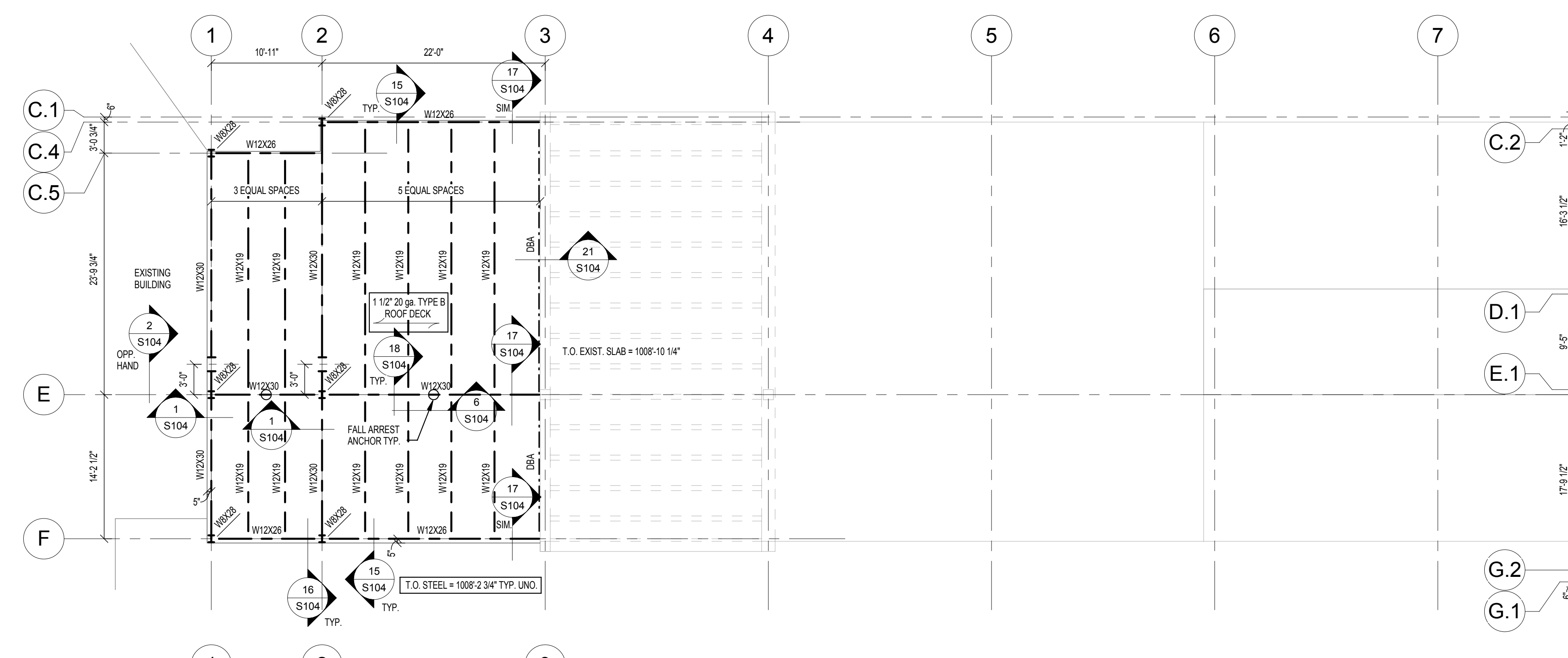




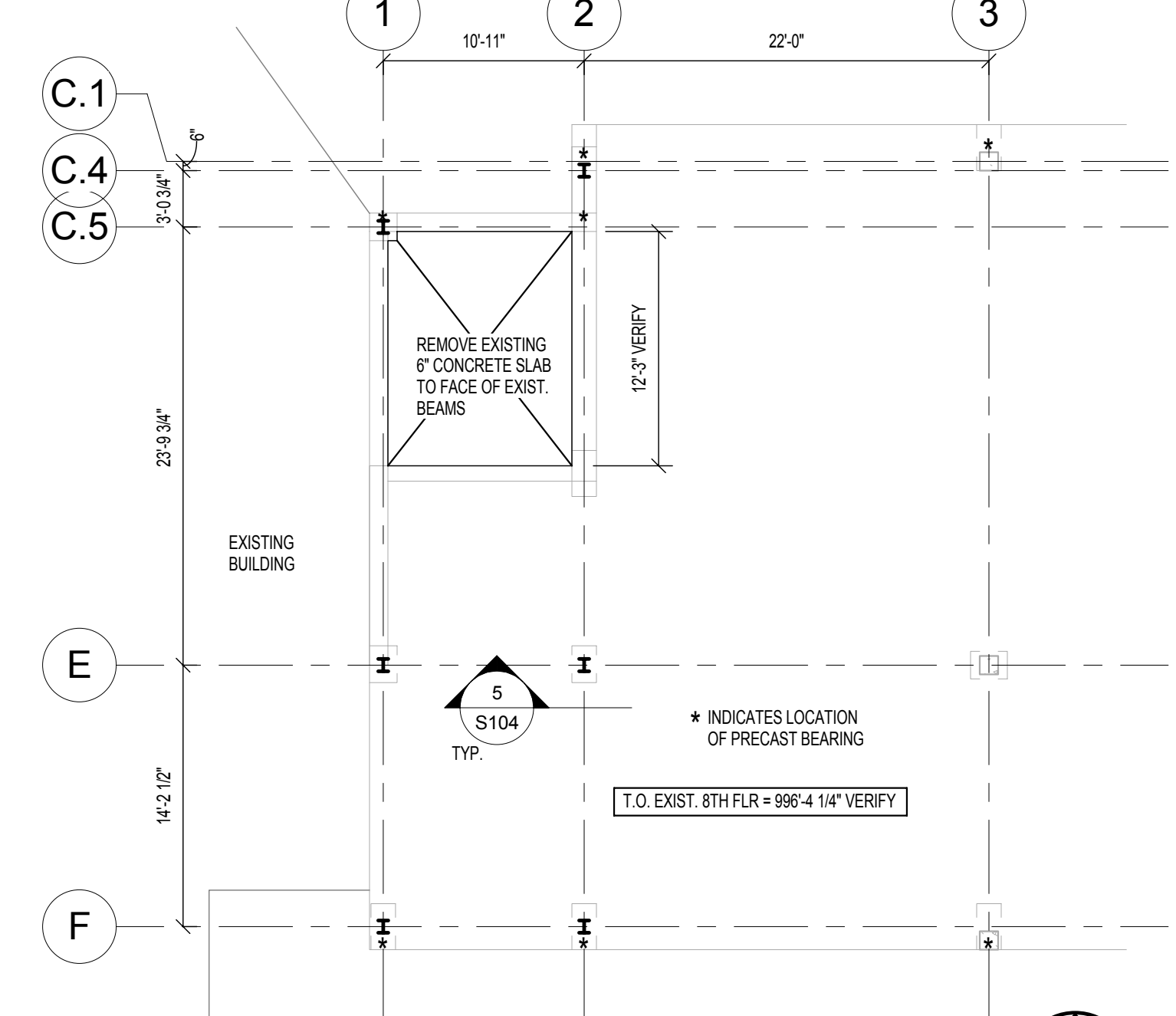
three inches = one foot  
 one and one half inches = one foot  
 one inch = one foot  
 three quarters inch = one foot  
 one half inch = one foot  
 three eighths inch = one foot  
 one quarter inch = one foot  
 one eighth inch = one foot



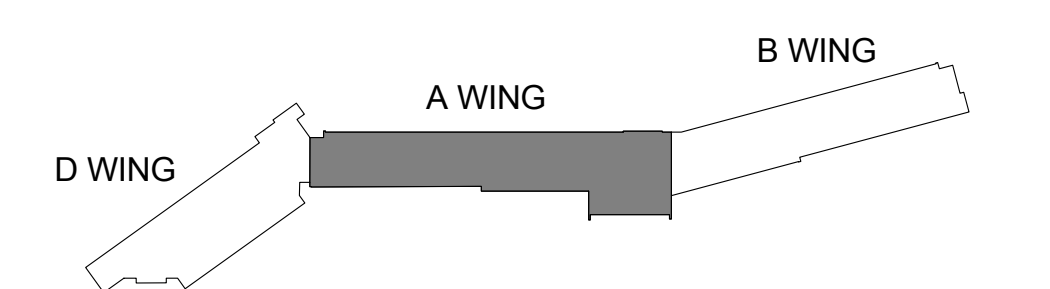
3 PENTHOUSE ROOF PLAN - UNIT A & B  
 S102A 1/8" = 1'-0"



2 9TH FLOOR/ROOF FRAMING PLAN UNIT A  
 S102A 1/8" = 1'-0"



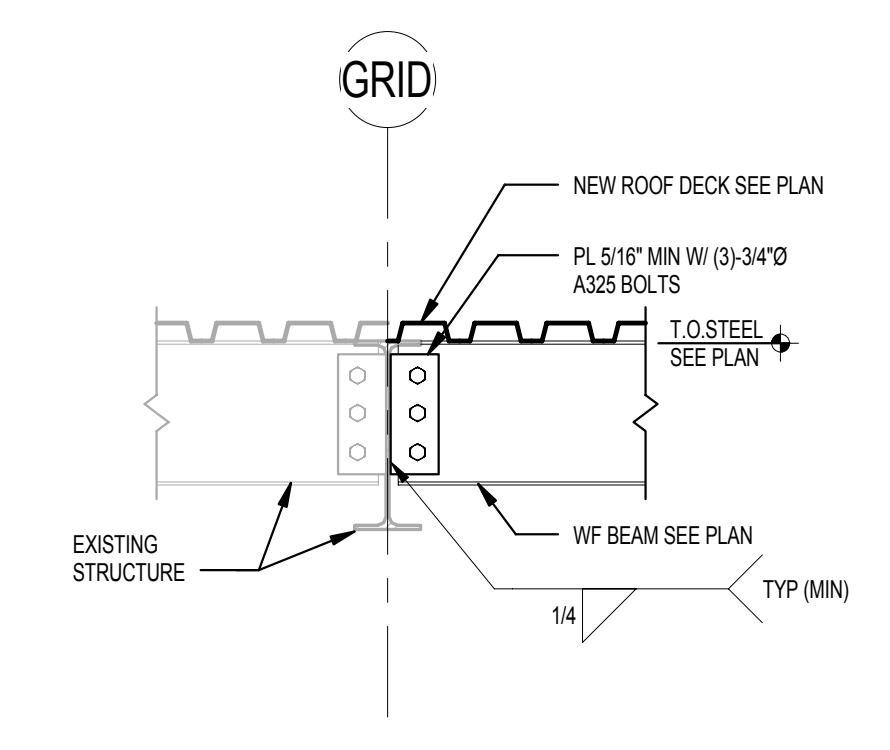
1 8TH FLOOR FRAMING UNIT A  
 S102A 1/8" = 1'-0"



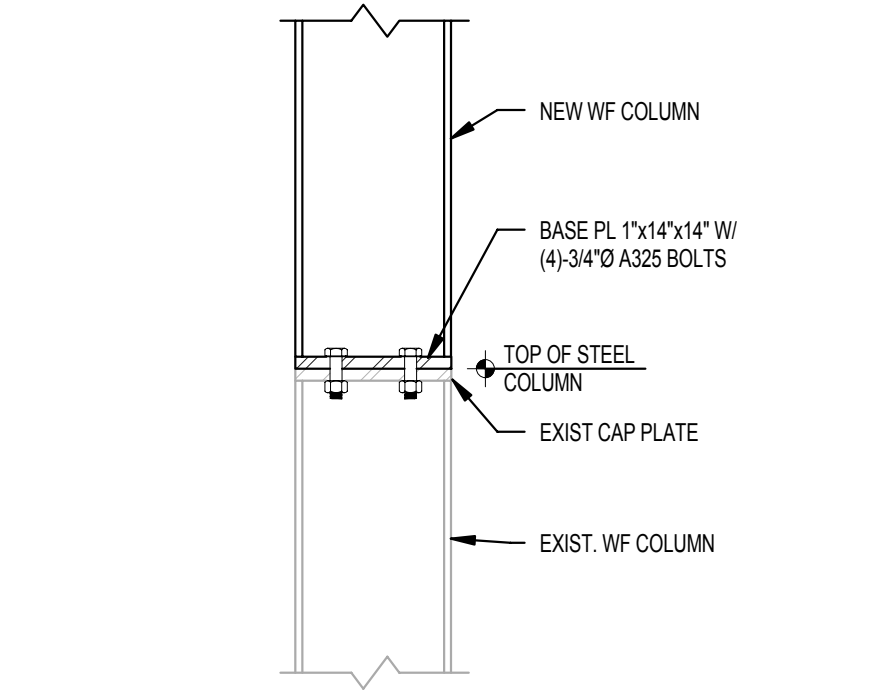
<b>ENGINEERS:</b>  6402 Ocala Road, Madison, WI 53719 Phone: 608.286.1108 / Fax: 608.286.1109	<b>ARCHITECT:</b>  Kahler Slater Project No. 211033.00 111 West Wisconsin Avenue, Milwaukee, Wisconsin 53203 Telephone 414.272.2000 / Fax 414.272.2001 44 East Millin Street, Suite 700, Madison, Wisconsin 53703 Telephone 608.283.6300 / Fax 608.283.6317	Drawing Title <b>FLOOR/ROOF FRAMING PLANS UNIT A</b>	Project Title <b>WM. W. MIDDLETON MEMORIAL VETERAN'S HOSPITAL - CONSOLIDATE ICUs, 8A/8B</b>	Project Number <b>607-394</b>	<b>Office of Construction and Facilities Management</b> 
		Approved: Project Director	Location <b>MADISON, WI</b>	Building Number <b>1</b>	
Revisions:	Date	Date DEC. 3, 2012	Checked JGM	Drawn DLW	



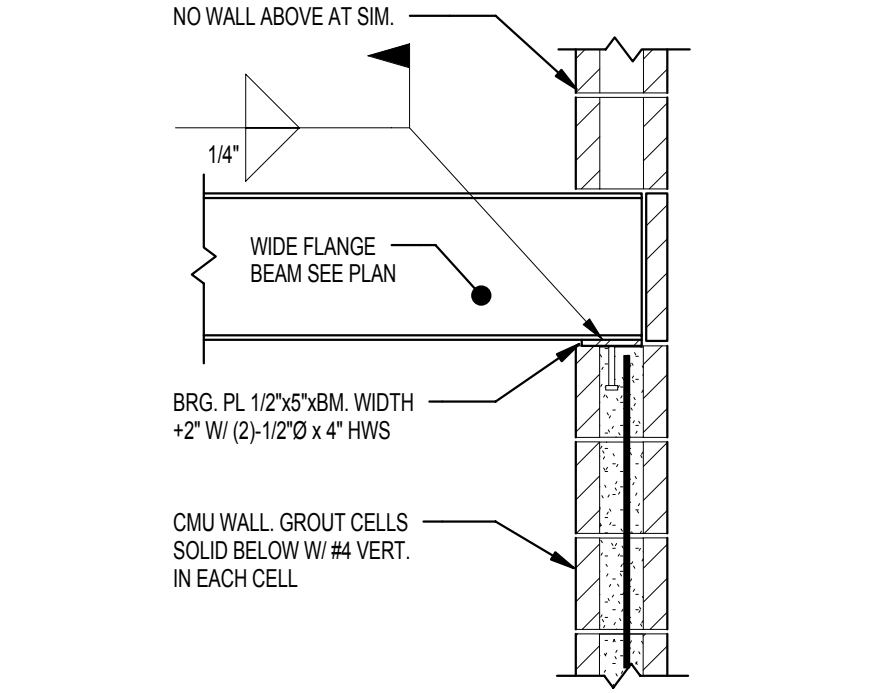
three eighths inch = one foot  
 one half inch = one foot  
 one quarter inch = one foot  
 one eighth inch = one foot  
 one sixteenth inch = one foot



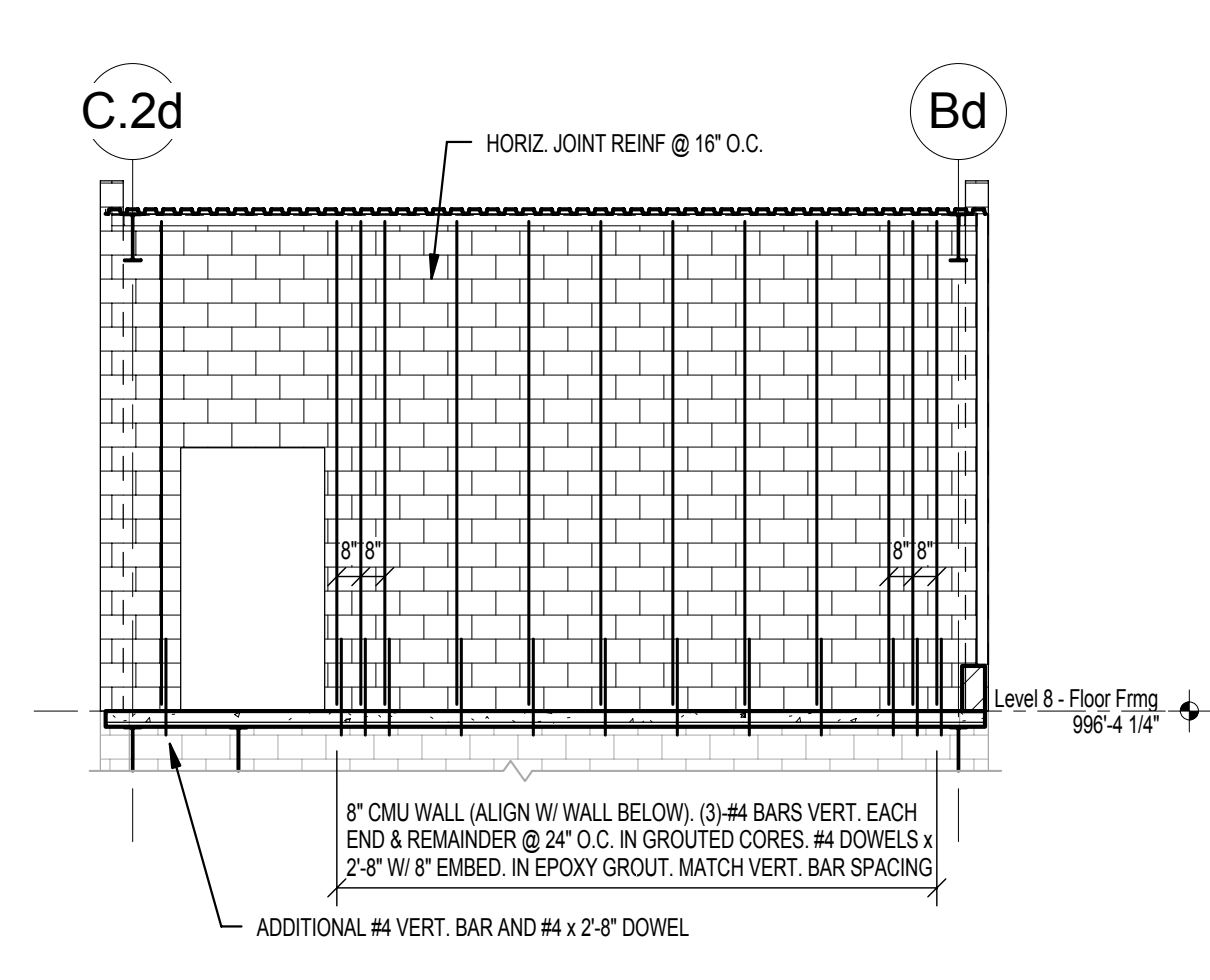
**12** BEAM CONNECTION @ D-WING  
 S103D 3/4" = 1'-0"



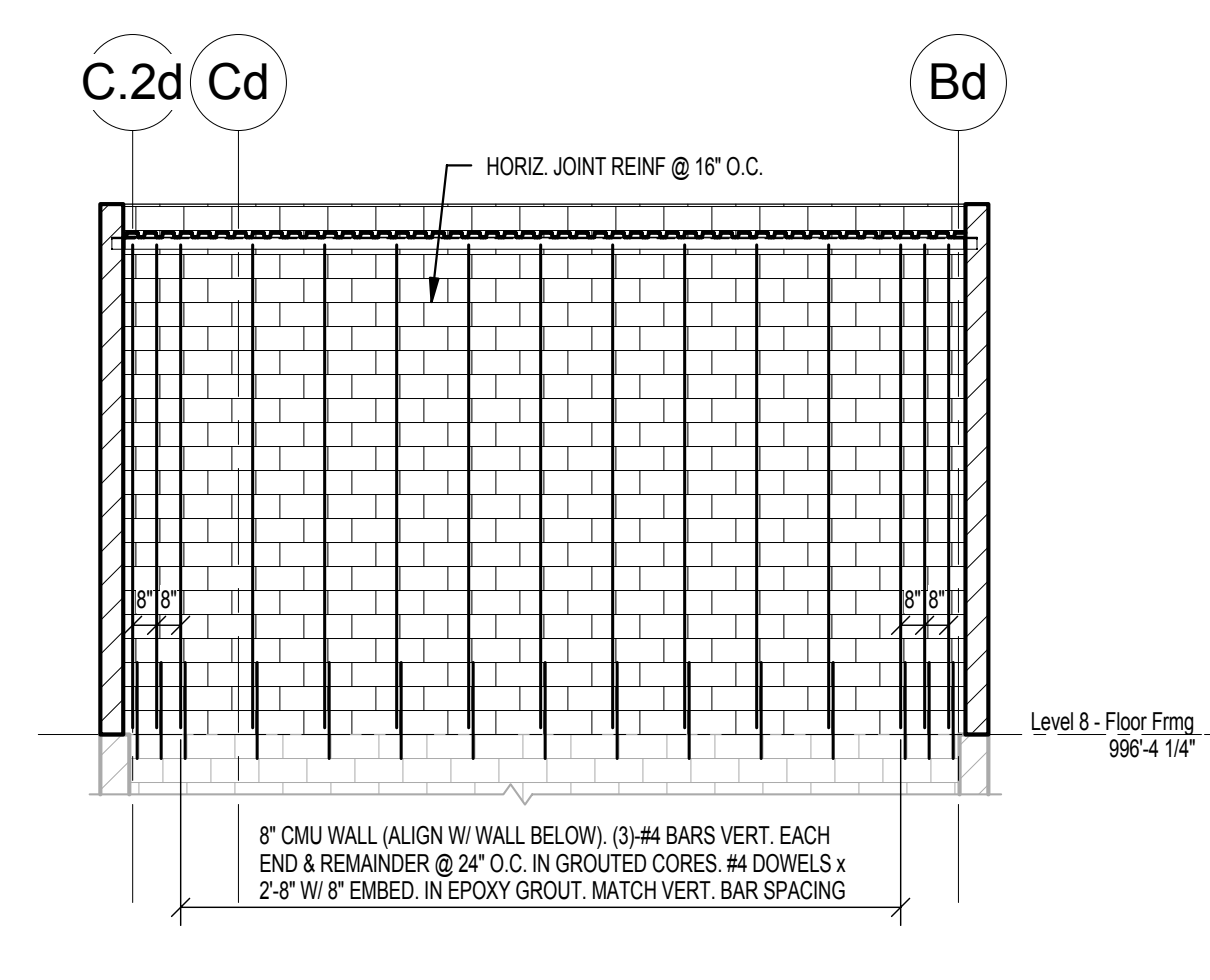
**13** NEW COL. TO EXIST. COL. CONN.  
 S103D 1" = 1'-0"



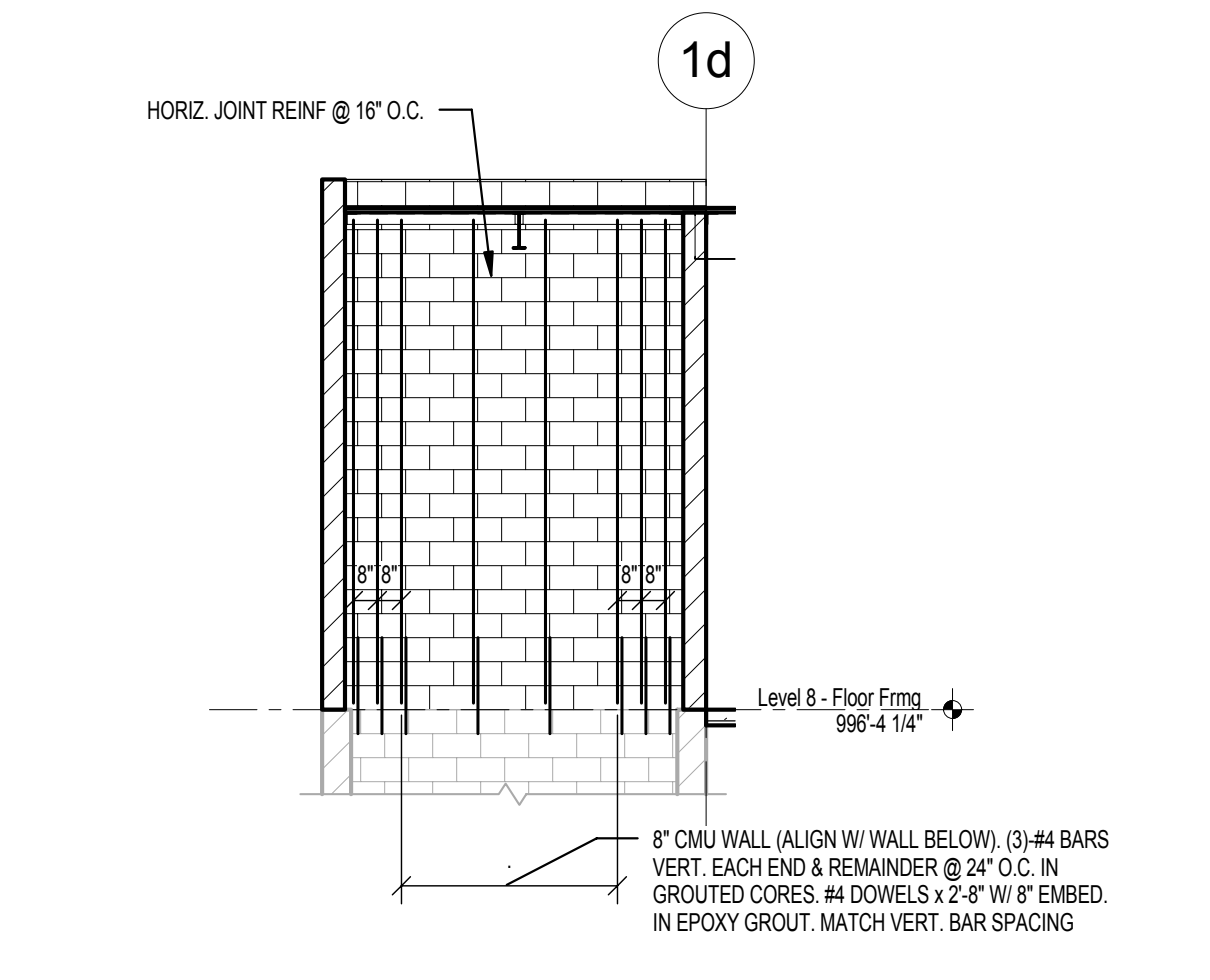
**14** BEAM BRG. ON MASONRY WALL  
 S103D 3/4" = 1'-0"



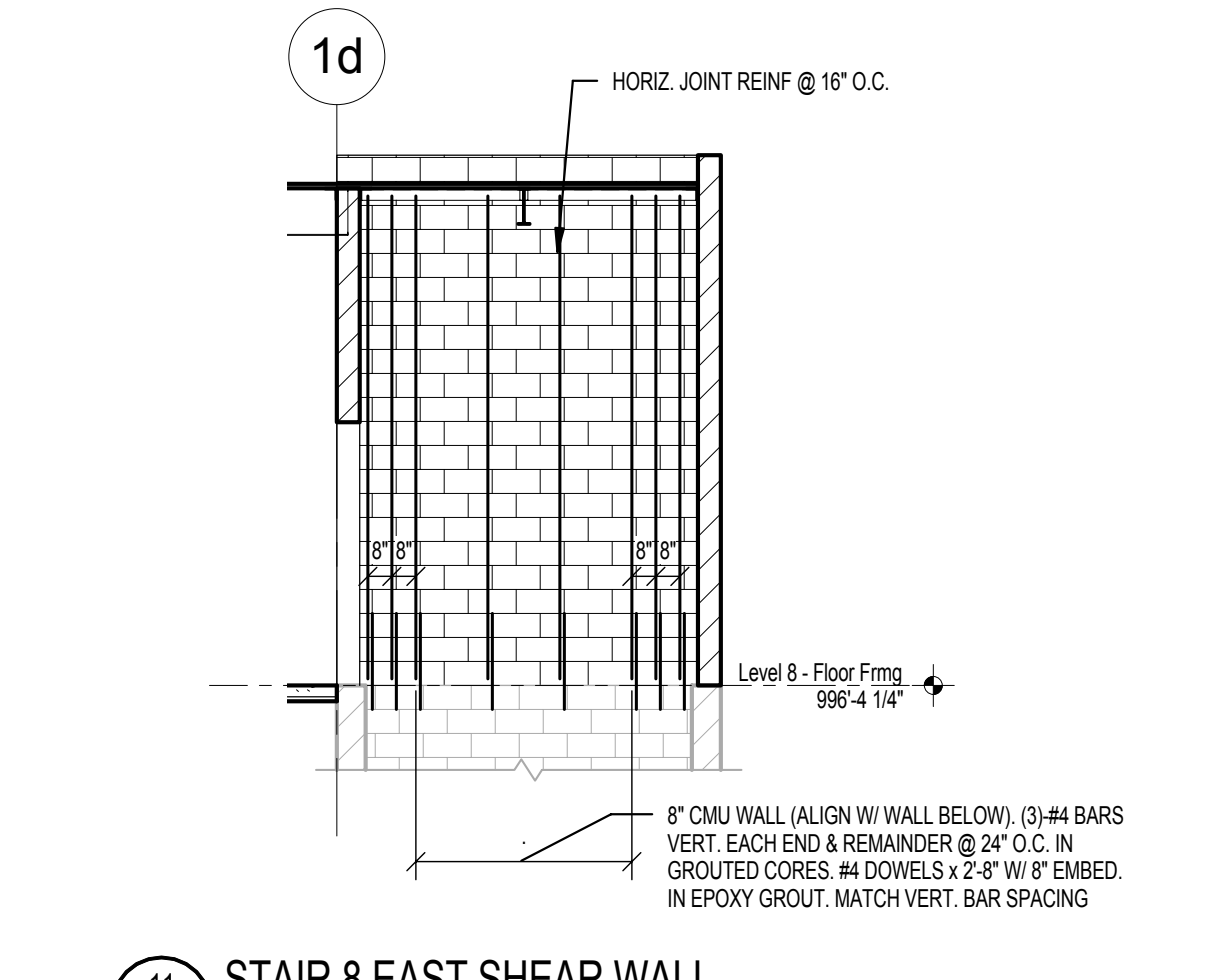
**8** STAIR & NORTH SHEAR WALL  
 S103D 3/16" = 1'-0"



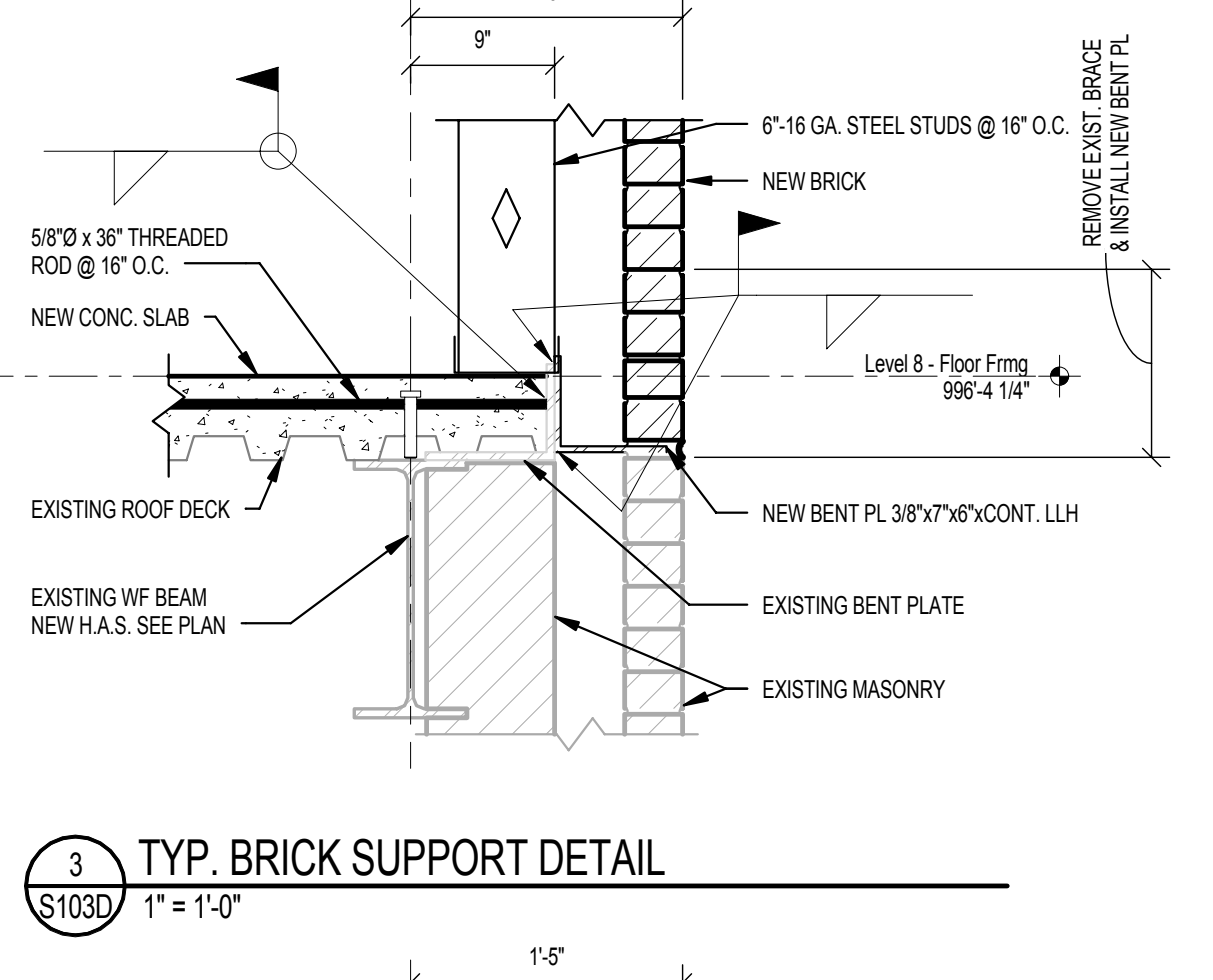
**9** STAIR & SOUTH SHEAR WALL  
 S103D 3/16" = 1'-0"



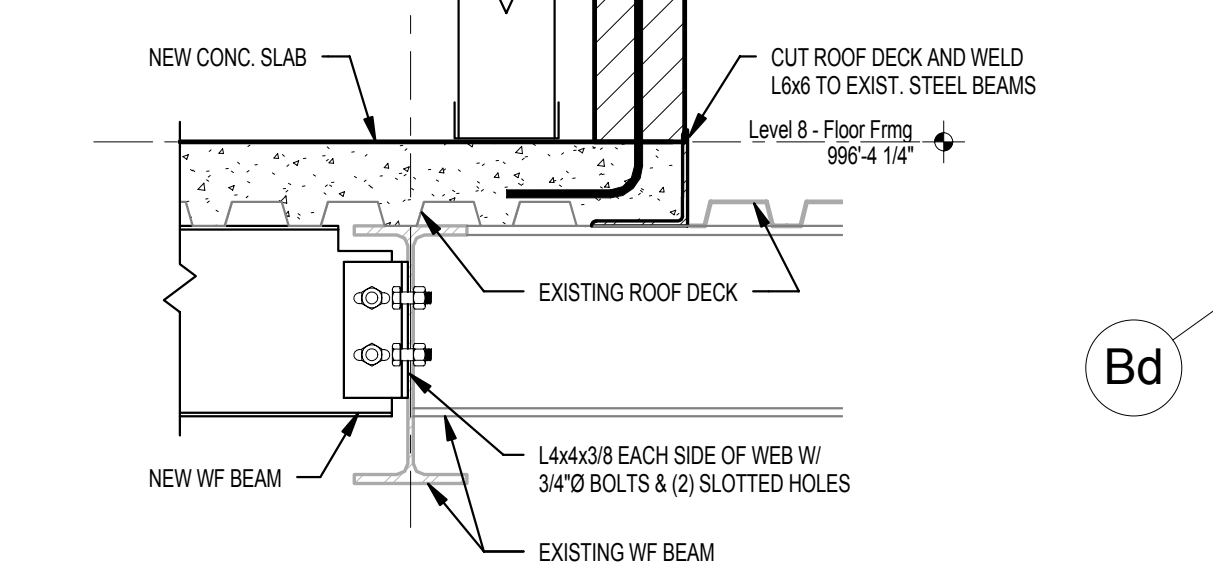
**10** STAIR & WEST SHEAR WALL  
 S103D 3/16" = 1'-0"



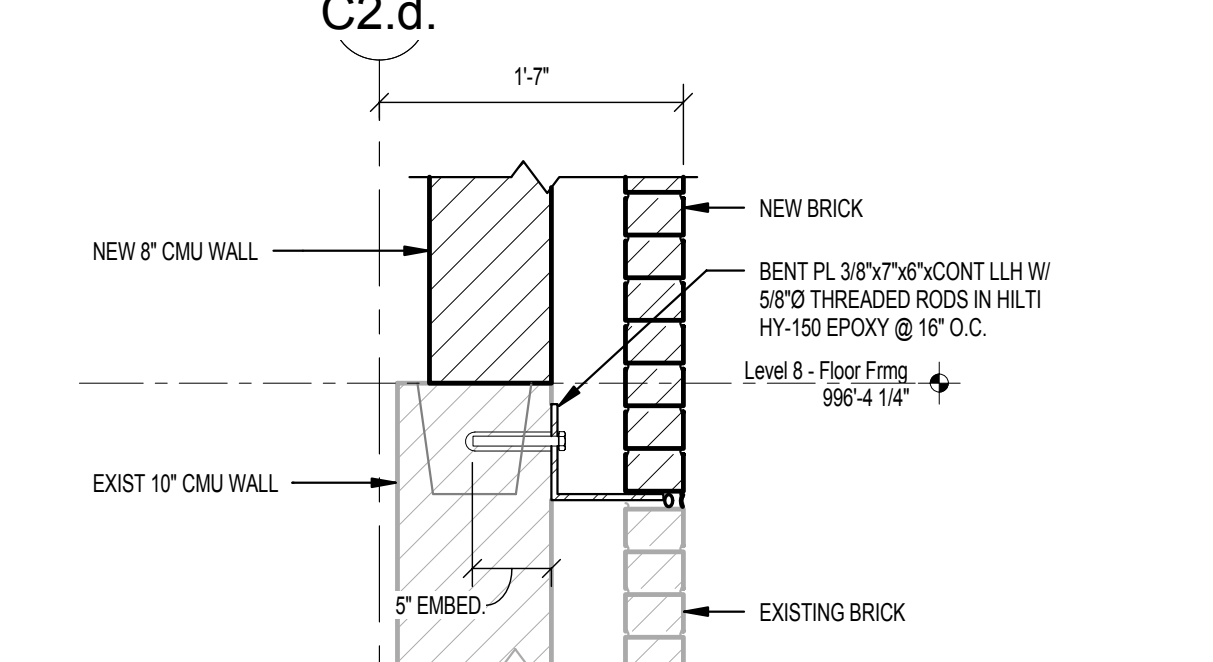
**11** STAIR & EAST SHEAR WALL  
 S103D 3/16" = 1'-0"



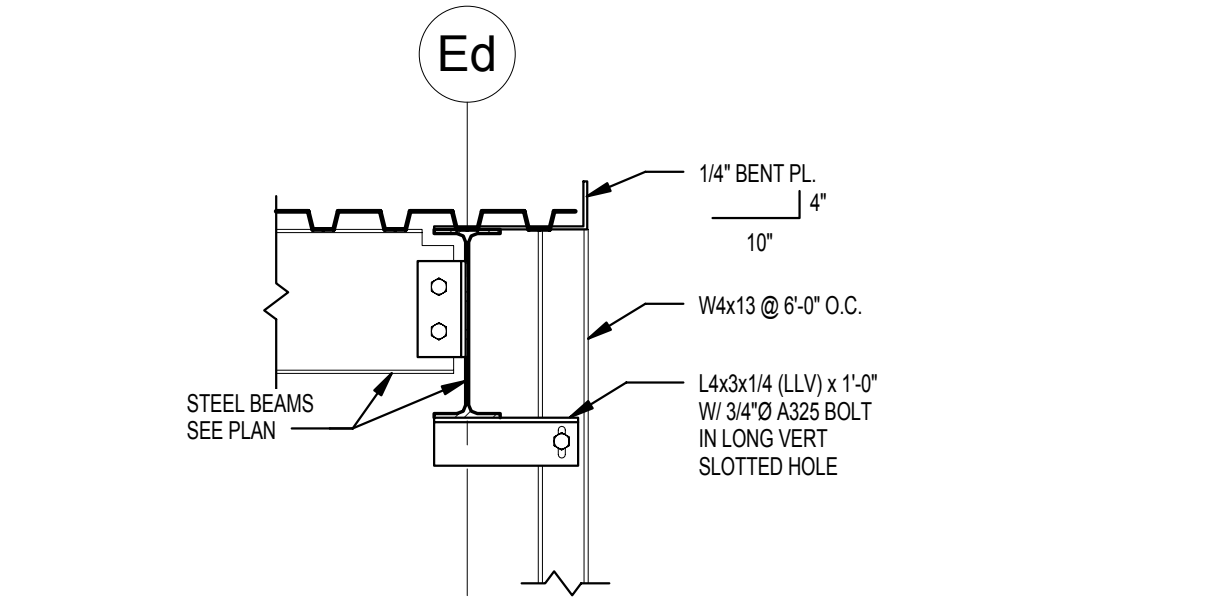
**3** TYP. BRICK SUPPORT DETAIL  
 S103D 1" = 1'-0"



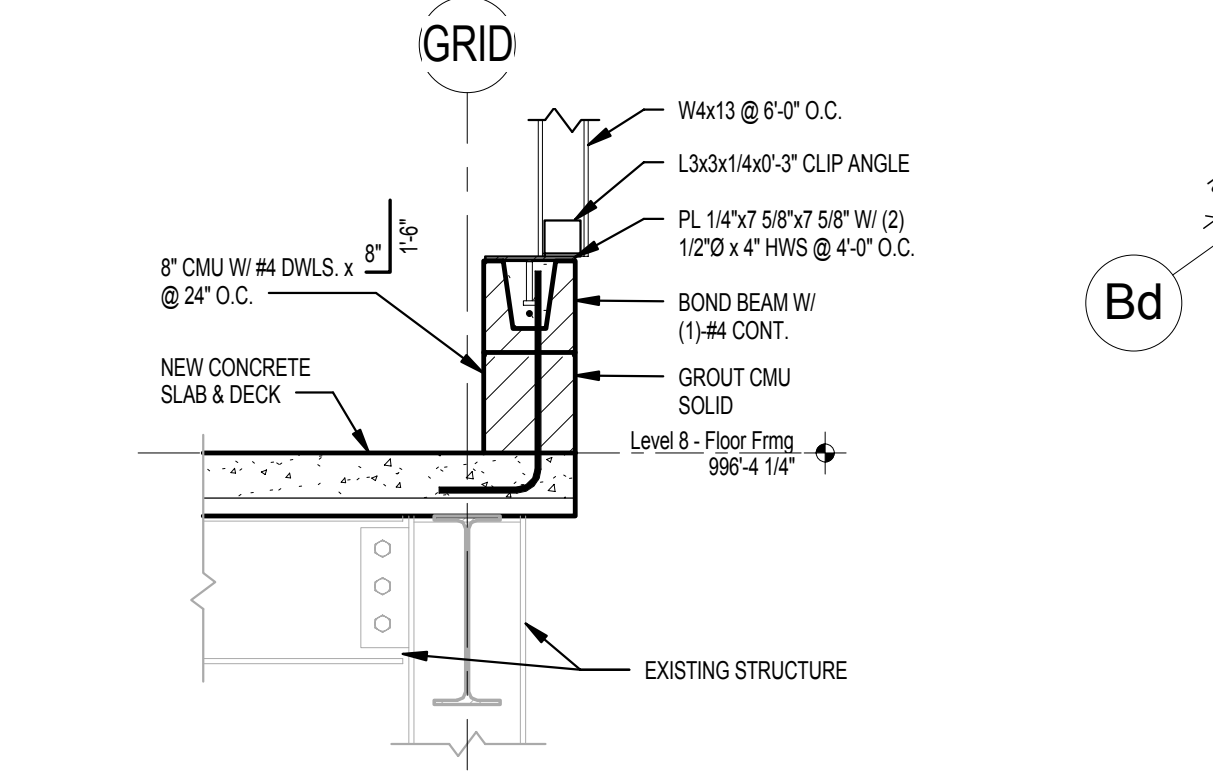
**4** BRICK SUPPORT DTL. @ EXISTING ROOF  
 S103D 1" = 1'-0"



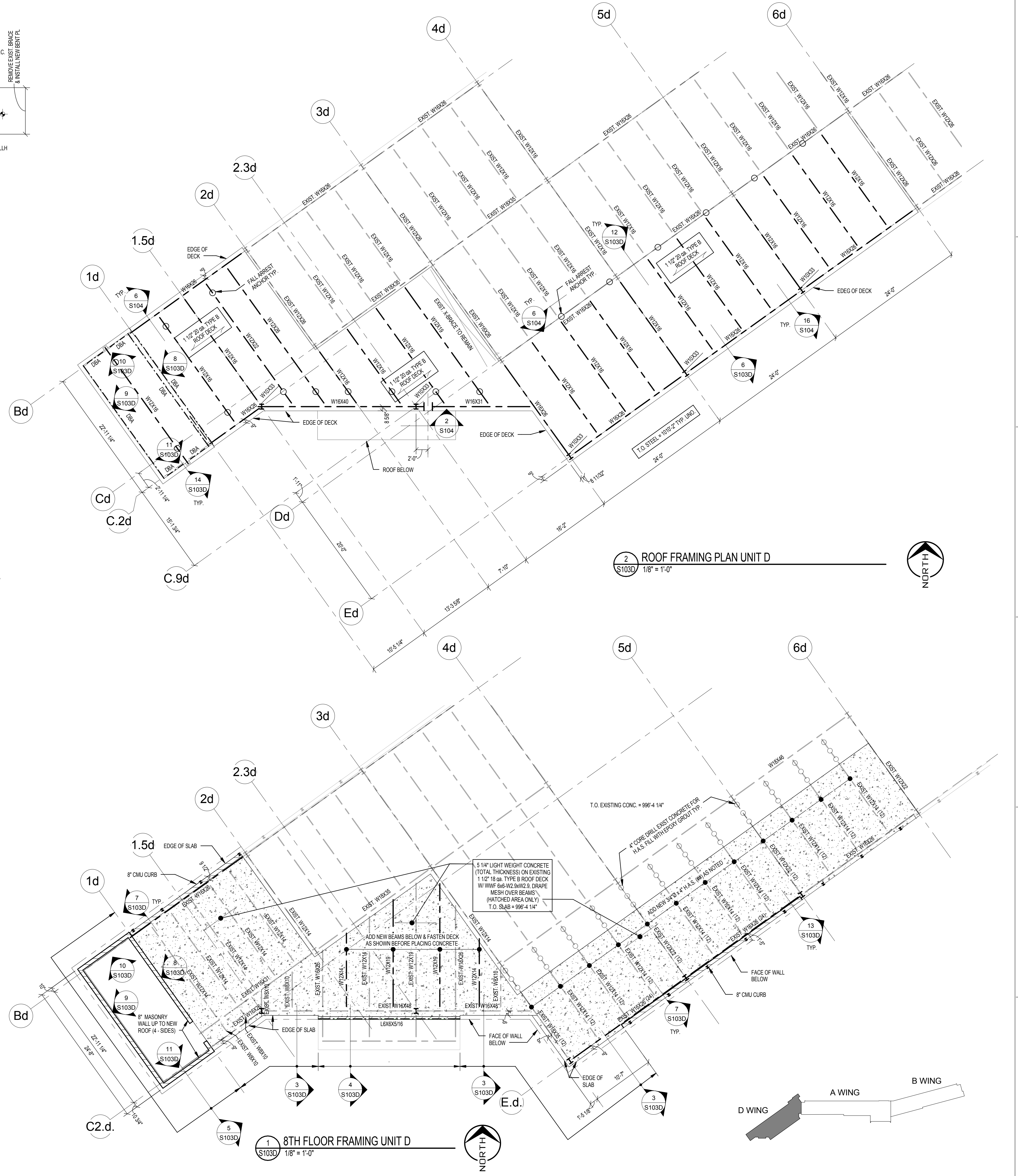
**5** BRICK SUPPORT AT STAIR TOWER  
 S103D 1" = 1'-0"



**6** CHANNEL CONN. AT \"D\" WING  
 S103D 3/4" = 1'-0"



**7** COLUMN BASE CONN. \"D\" WING  
 S103D 3/4" = 1'-0"



**1** 8TH FLOOR FRAMING UNIT D  
 S103D 1/8" = 1'-0"

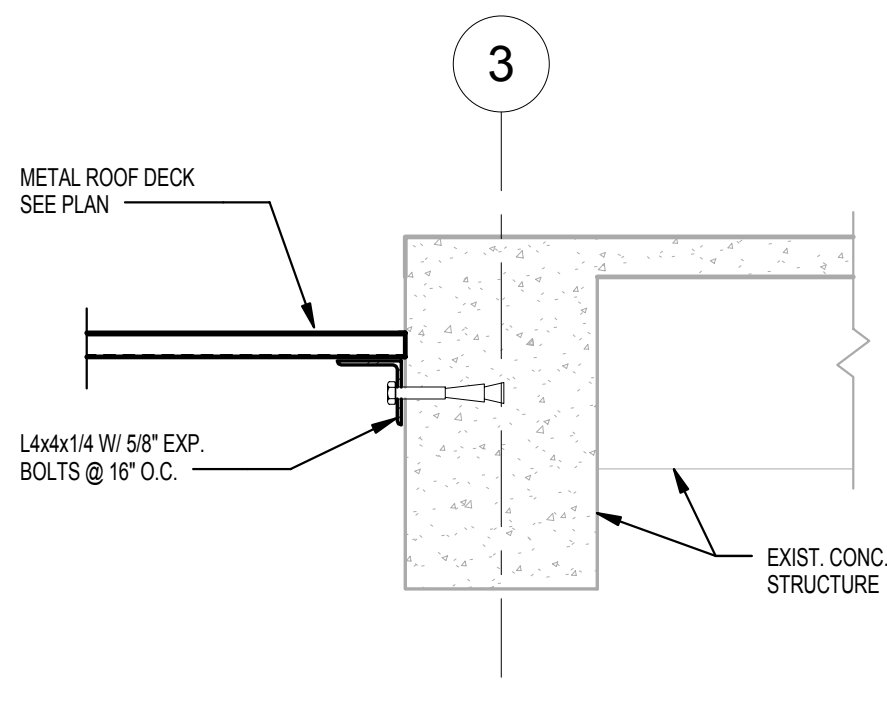
<b>ENGINEERS:</b>  6402 Osara Road, Madison, WI 53719 Phone: 608.288.1108 / Fax: 608.288.1109	<b>ARCHITECT:</b>  Kahler Slater Project No. 211033.00 111 West Wisconsin Avenue, Milwaukee, Wisconsin 53203 Telephone: 414.272.2000 / Fax: 414.272.2001 44 East Millin Street, Suite 700, Madison, Wisconsin 53703 Telephone: 608.283.6300 / Fax: 608.283.6317	Drawing Title <b>FLOOR/ROOF FRAMING PLANS UNIT D</b>	Project Title <b>WM. W. MIDDLETON MEMORIAL VETERAN'S HOSPITAL - CONSOLIDATE ICUs, 8A/8B</b>	Project Number <b>607-394</b>	Office of Construction and Facilities Management 
		Approved: Project Director	Location <b>MADISON, WI</b>	Building Number <b>1</b>	
Revisions:	Date	Date DEC. 3, 2012	Checked JGM	Drawn DLW	



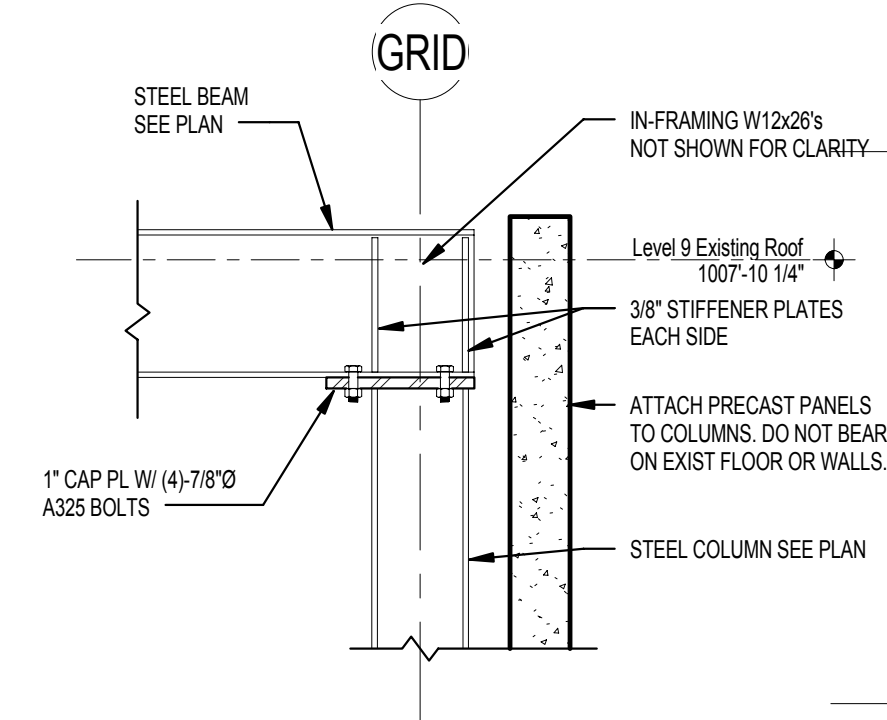
UNIT A & B 9TH FLOOR DETAILS

TYPICAL DETAILS

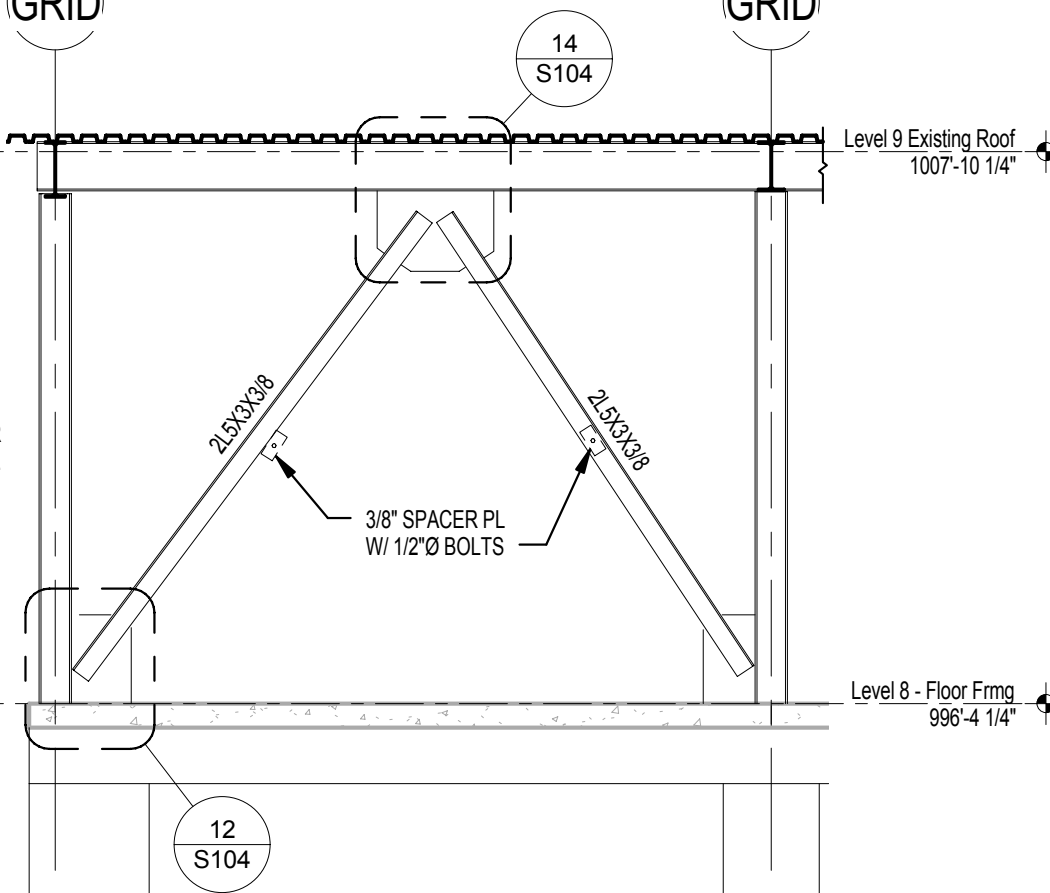
BOLTING SCHEDULE (EA. BM)	# OF ROWS 3/4" Ø A325 BOLTS
W8 & W10	2
W12 & W14	3
W16 & W18	4
W21 & W24	5
W27 & W30	6



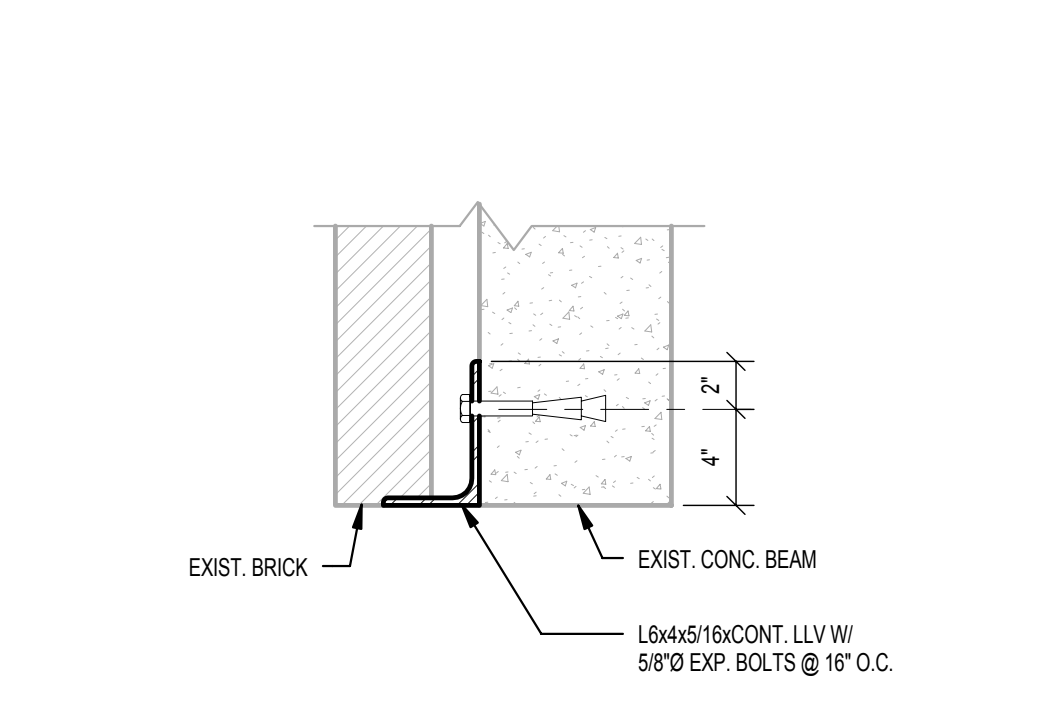
21 DECK BEARING ANGLE DETAIL  
S104 1" = 1'-0"



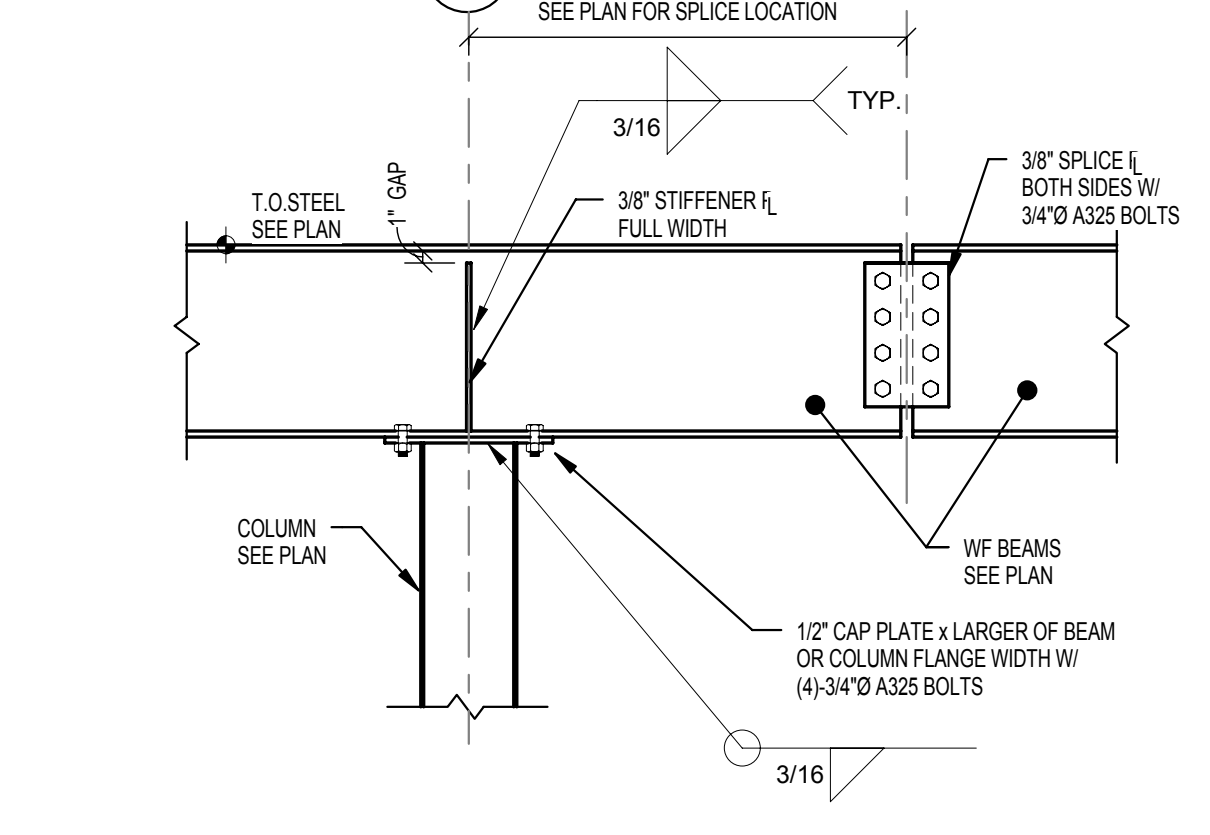
16 MOMENT CONNECTION  
S104 3/4" = 1'-0"



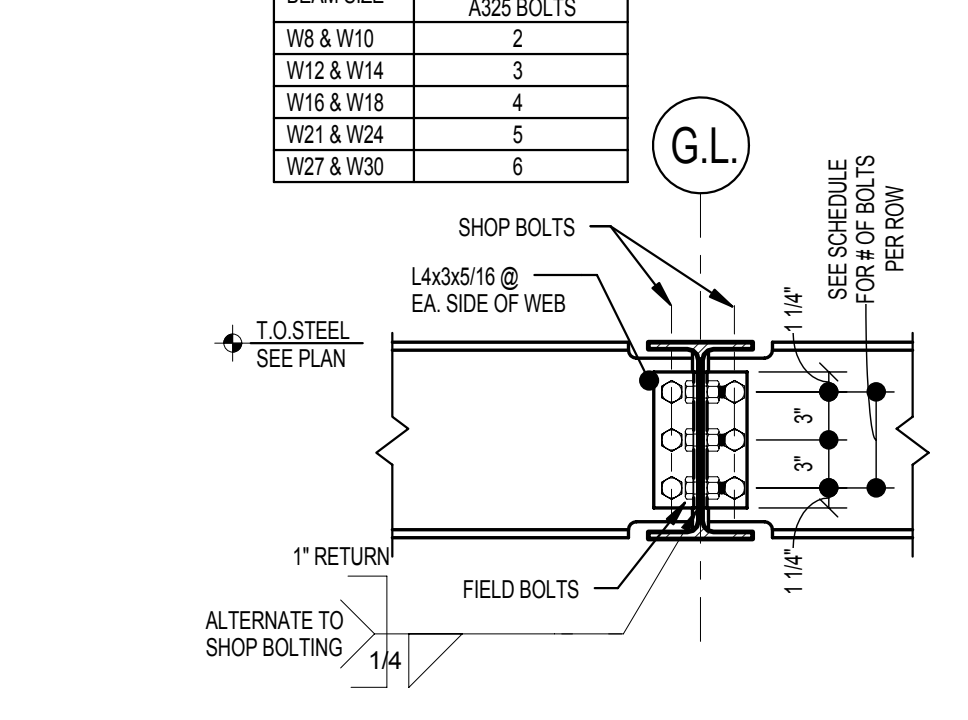
11 TYP "K" BRACING  
S104 1/4" = 1'-0"



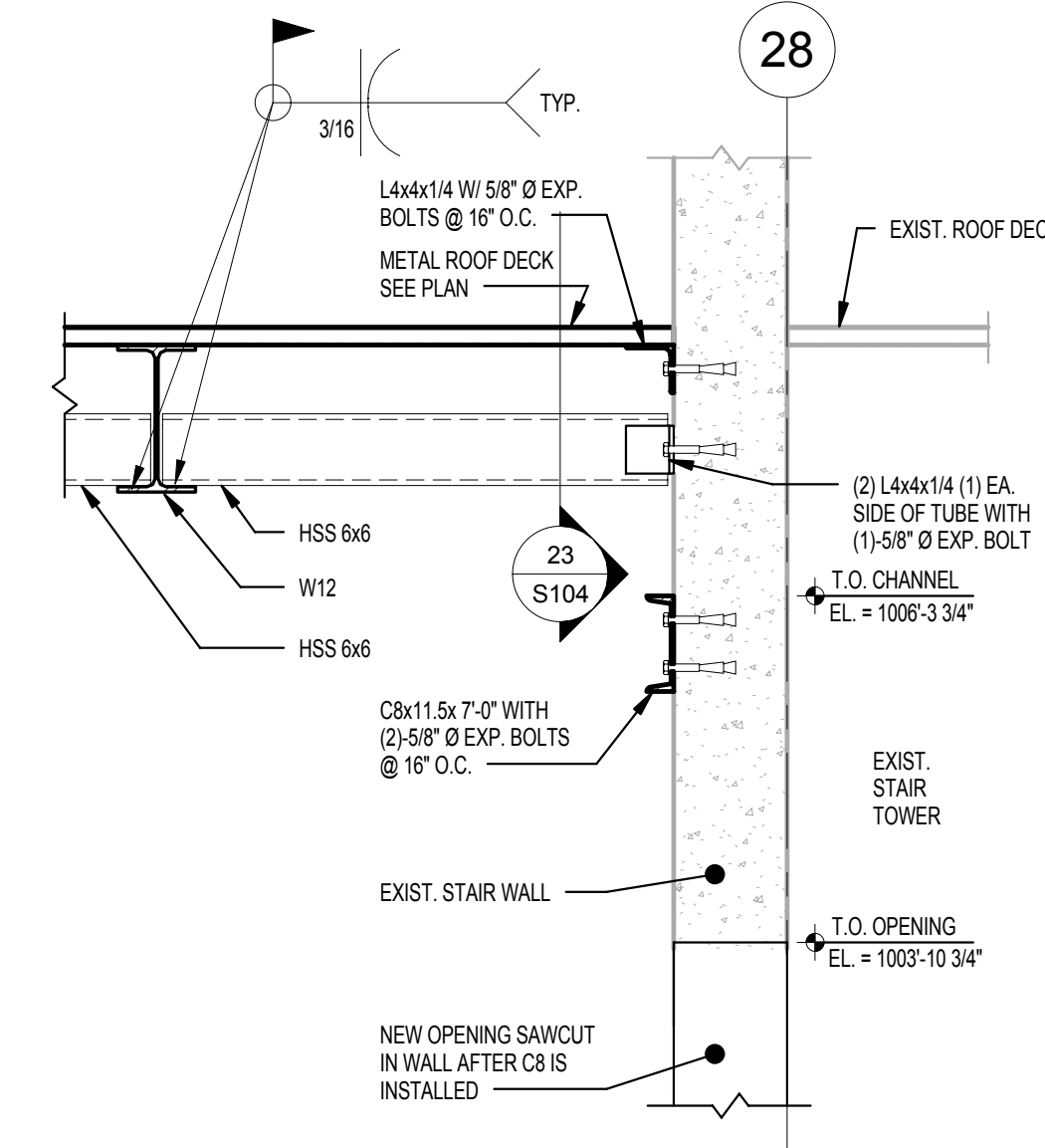
8 LINTEL DETAIL (REF. DETAIL 5/AS-550)  
S104 1-1/2" = 1'-0"



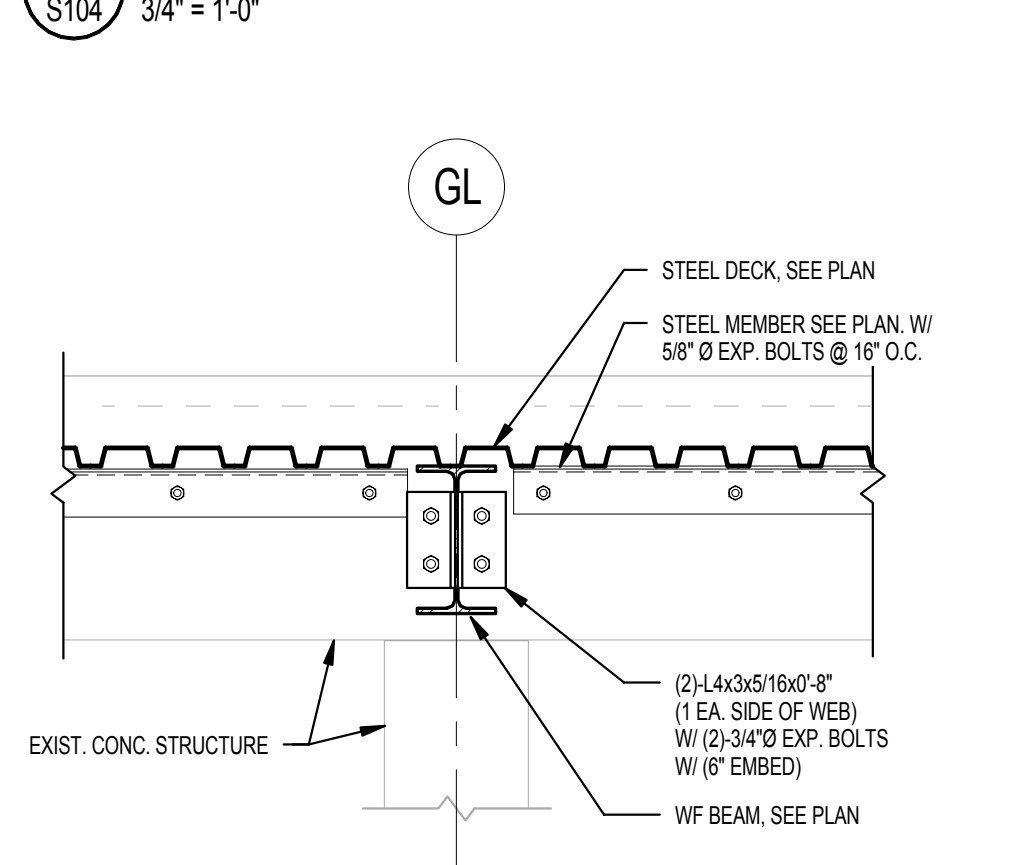
2 BEAM SPLICE & COLUMN CAP DETAIL  
S104 3/4" = 1'-0"



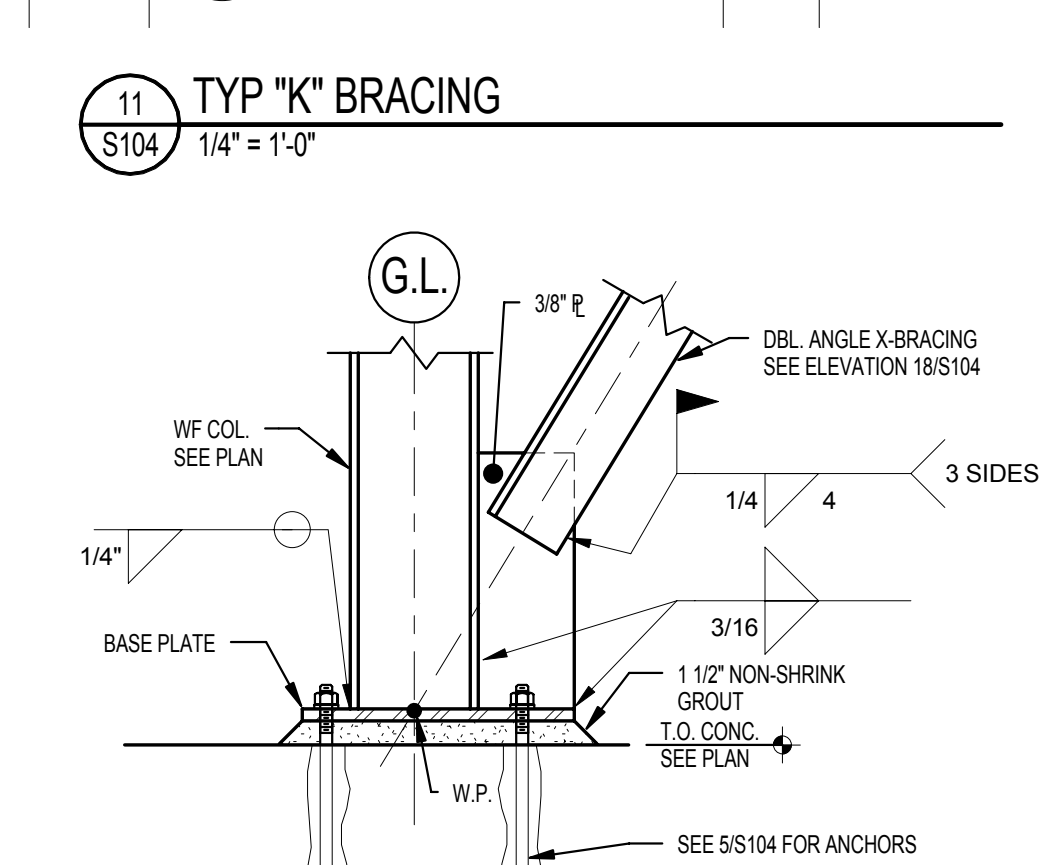
1 BEAM SHEAR CONNECTION DETAIL  
S104 1" = 1'-0"



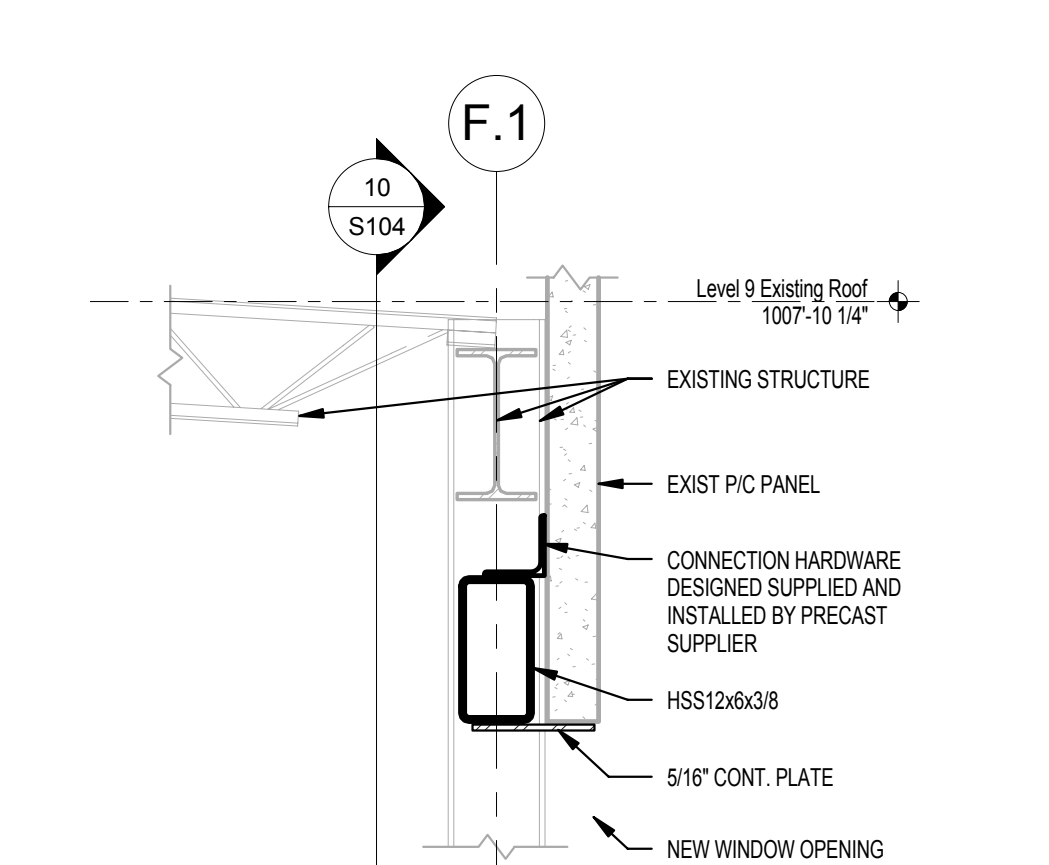
22 BOOM SUPPORT DETAIL 8TH FLR B-WING  
S104 3/4" = 1'-0"



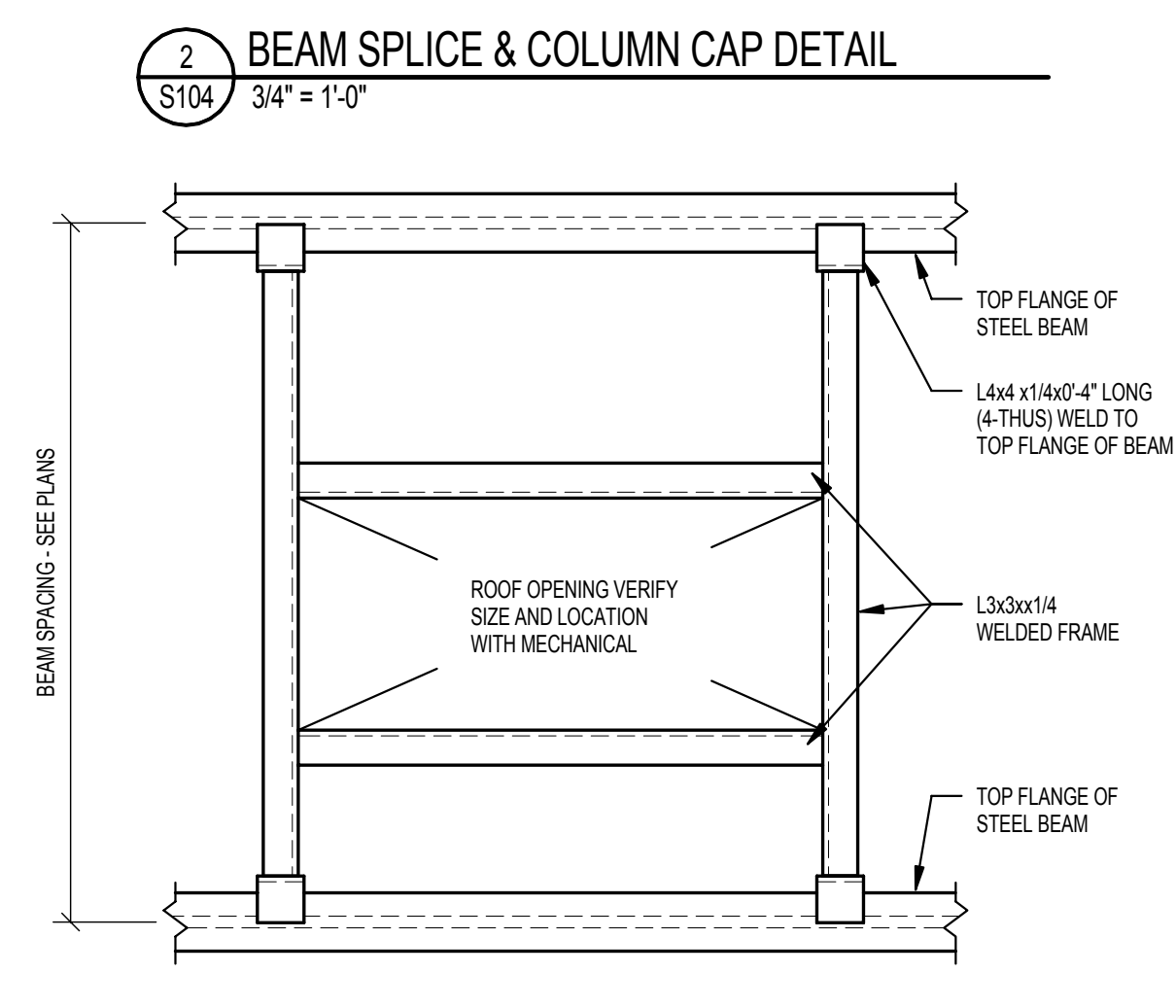
17 BEAM CONNECTION TO EXIST.  
S104 3/4" = 1'-0"



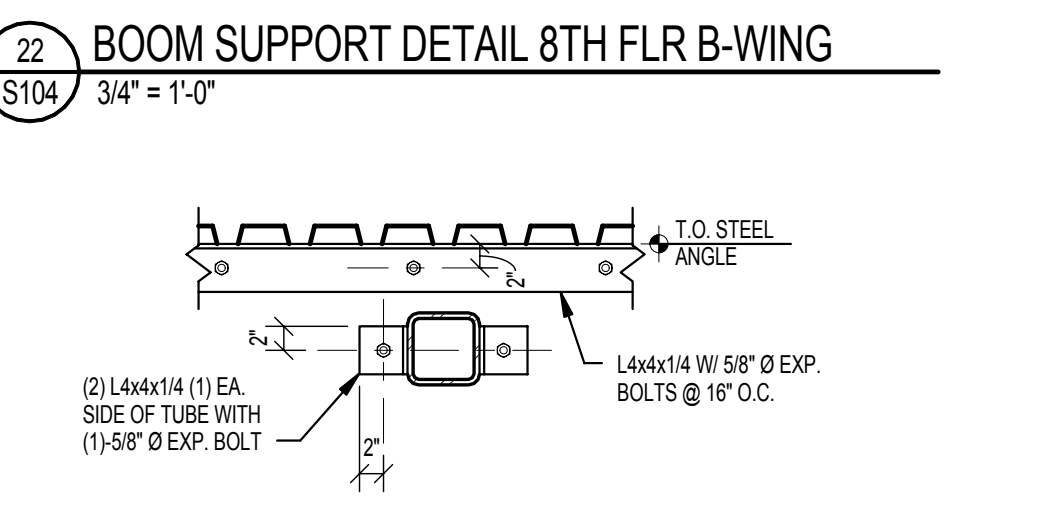
12 BRACING DETAIL BOTTOM  
S104 1" = 1'-0"



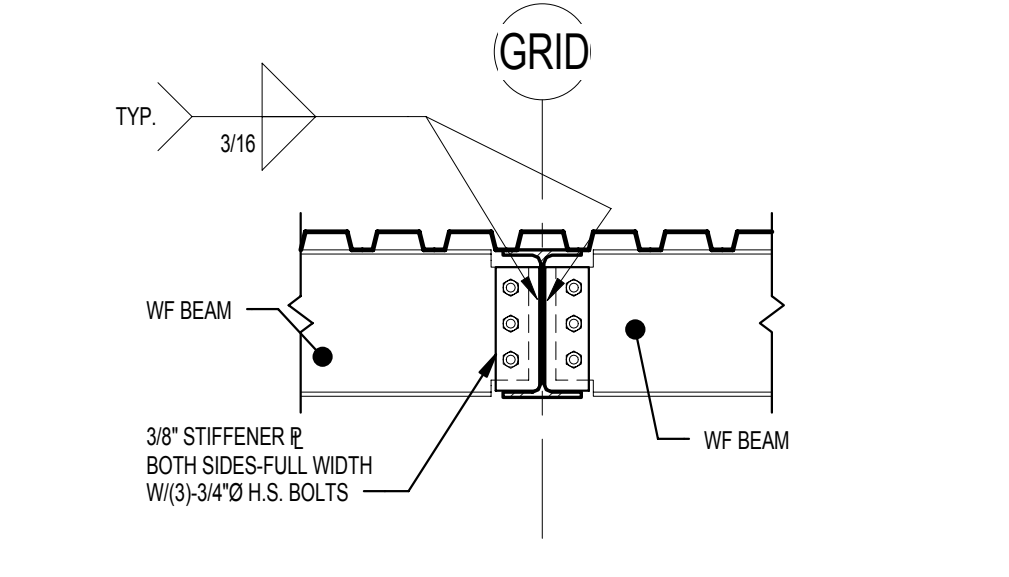
9 P/C PANEL SUPPORT SECTION  
S104 3/4" = 1'-0"



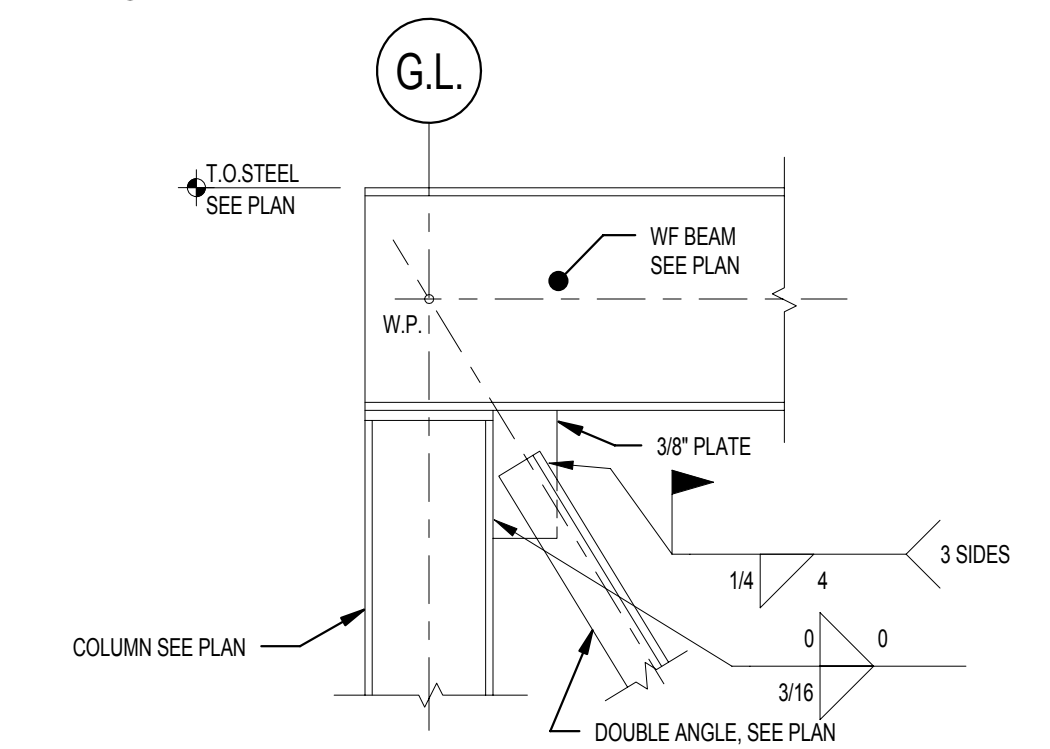
3 ROOF OPENING FRAMING (PLAN)  
S104 3/4" = 1'-0"



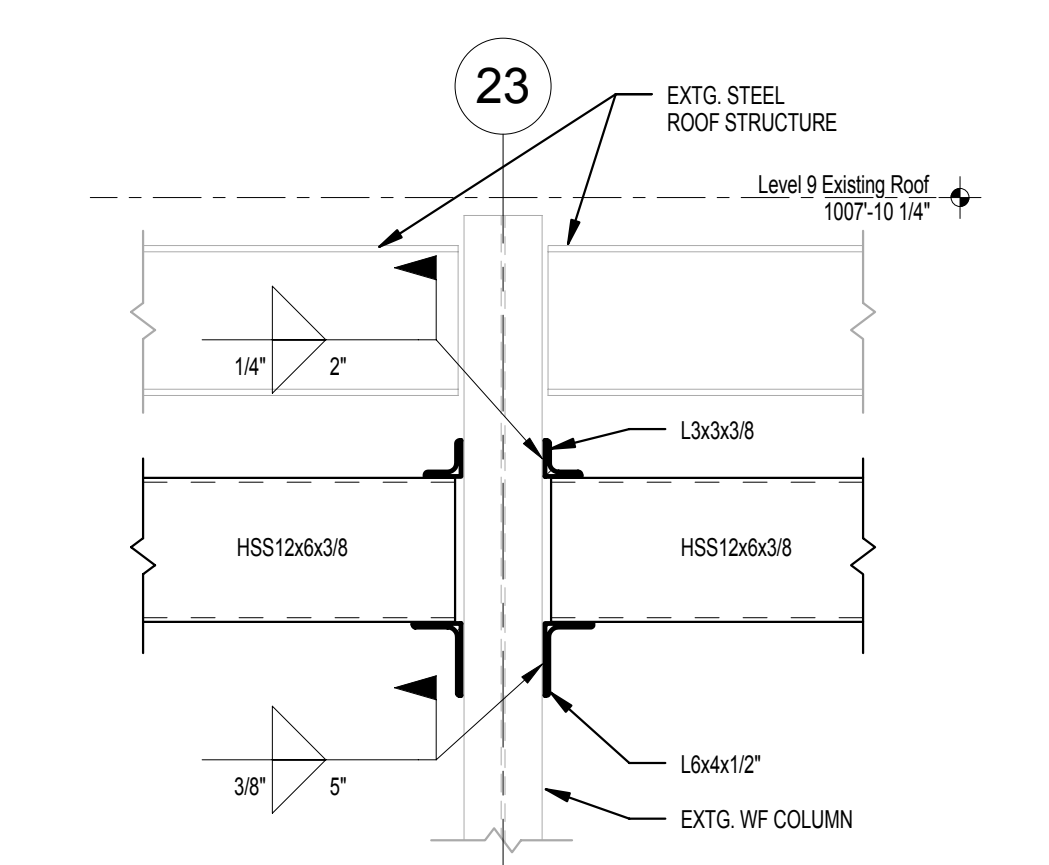
23 STEEL CONNECTIONS AT WALL  
S104 3/4" = 1'-0"



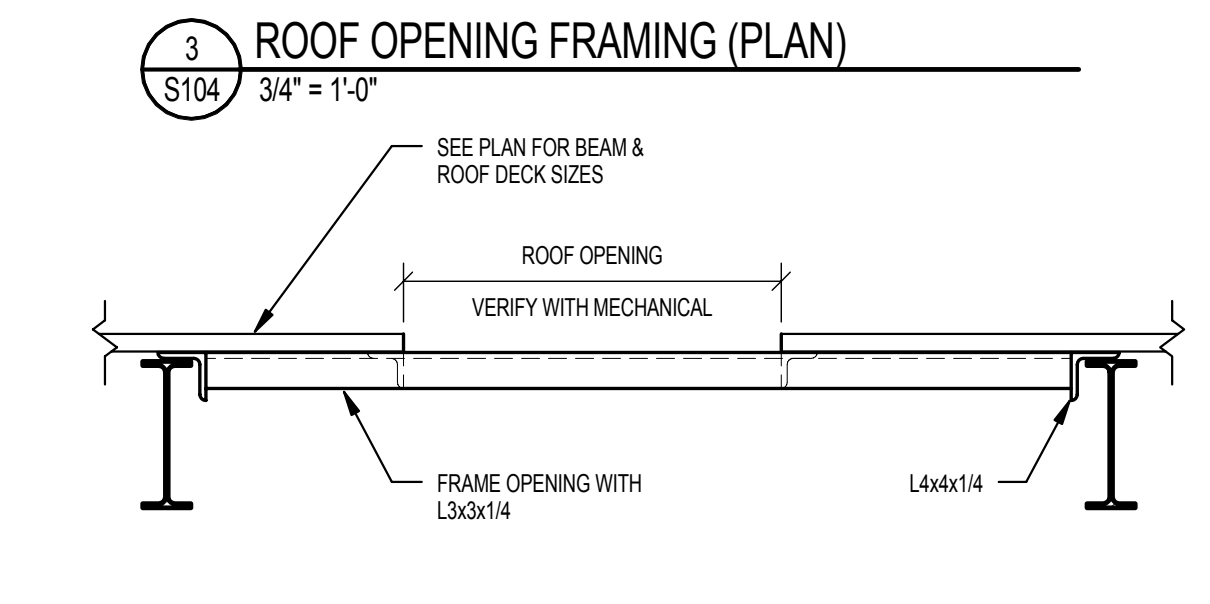
18 BEAM TO BEAM CONN.  
S104 3/4" = 1'-0"



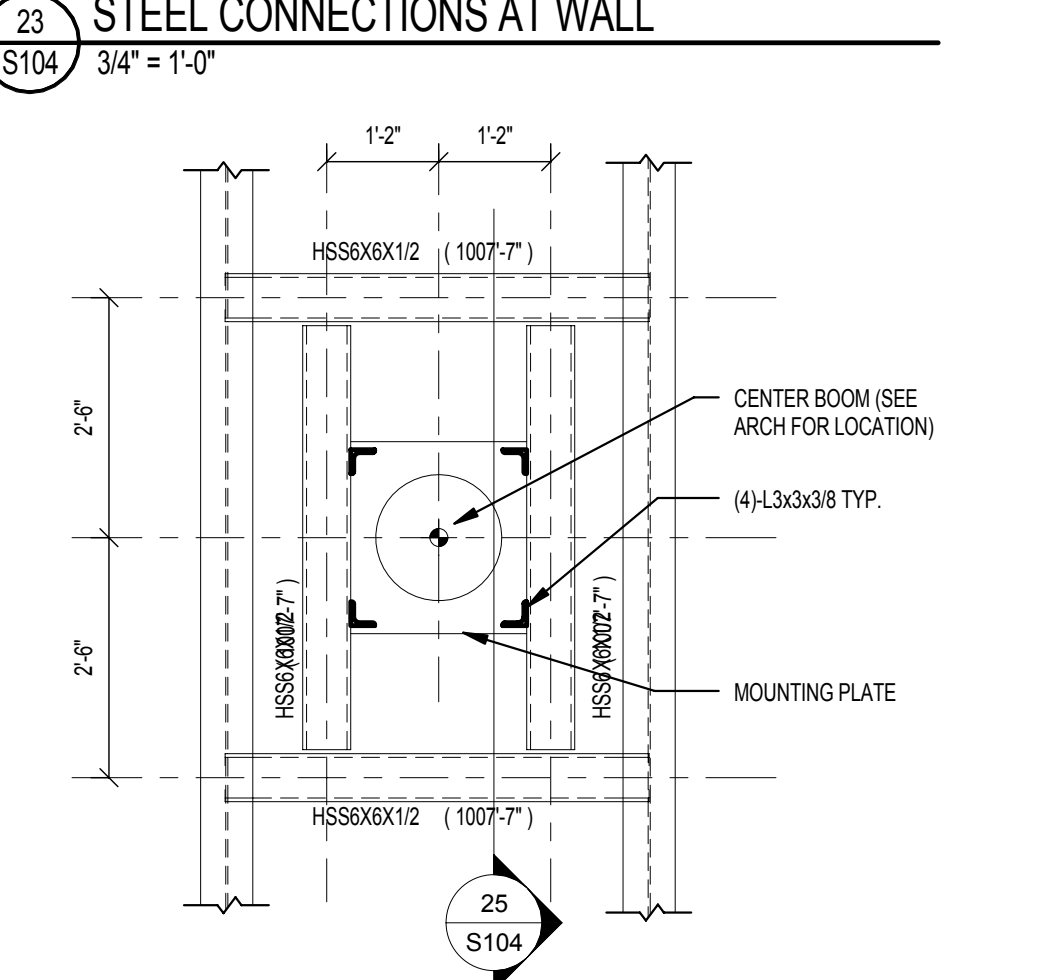
13 BRACING DETAIL TOP  
S104 1" = 1'-0"



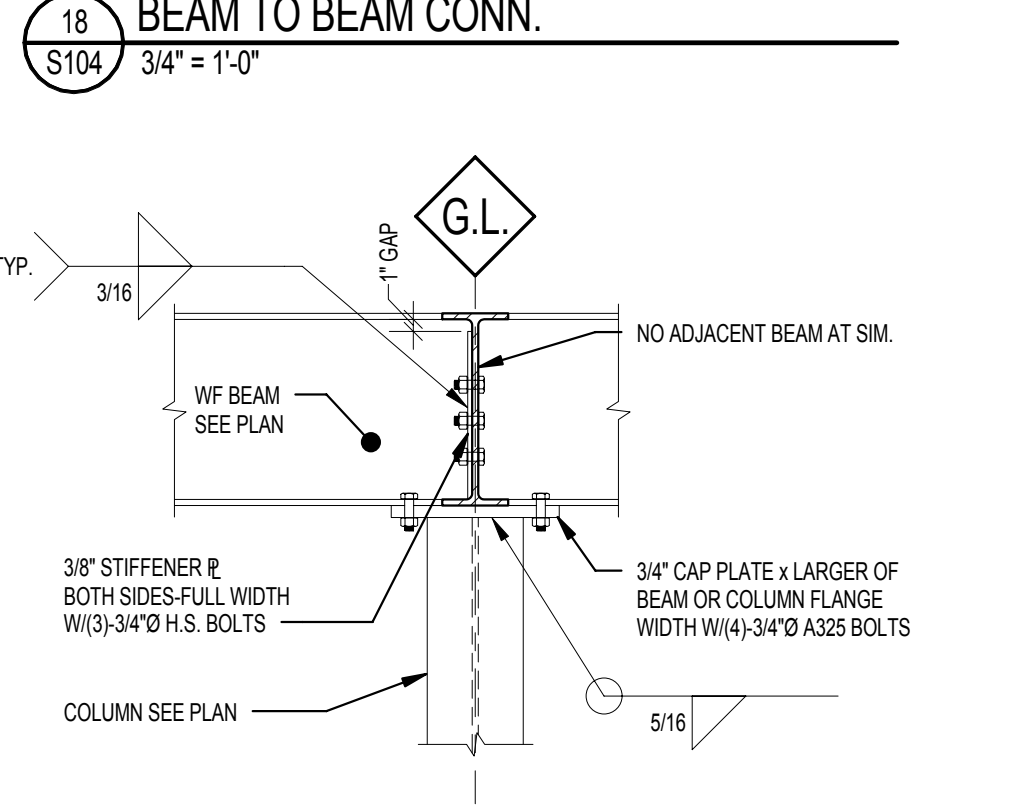
10 TUBE CONN. @ EXIST COLUMN  
S104 3/4" = 1'-0"



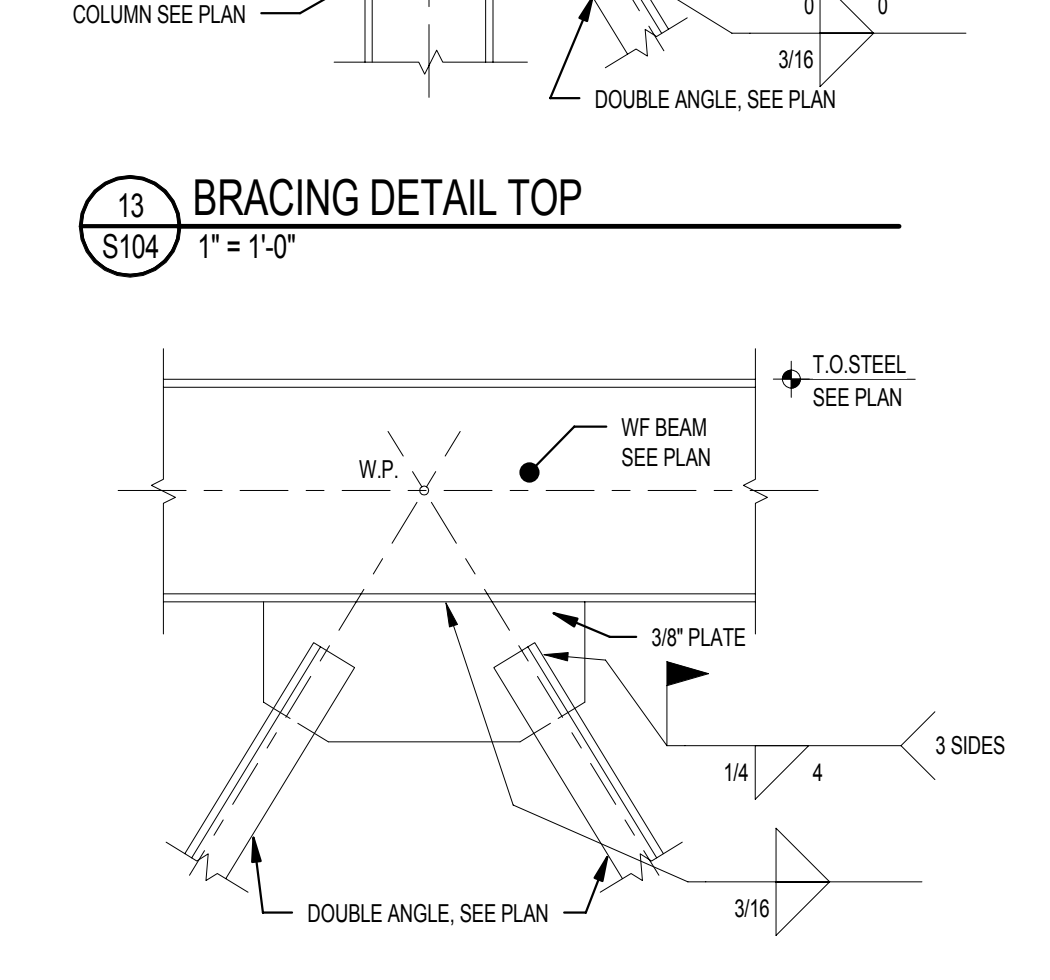
4 ROOF OPENING FRAMING (SECTION)  
S104 3/4" = 1'-0"



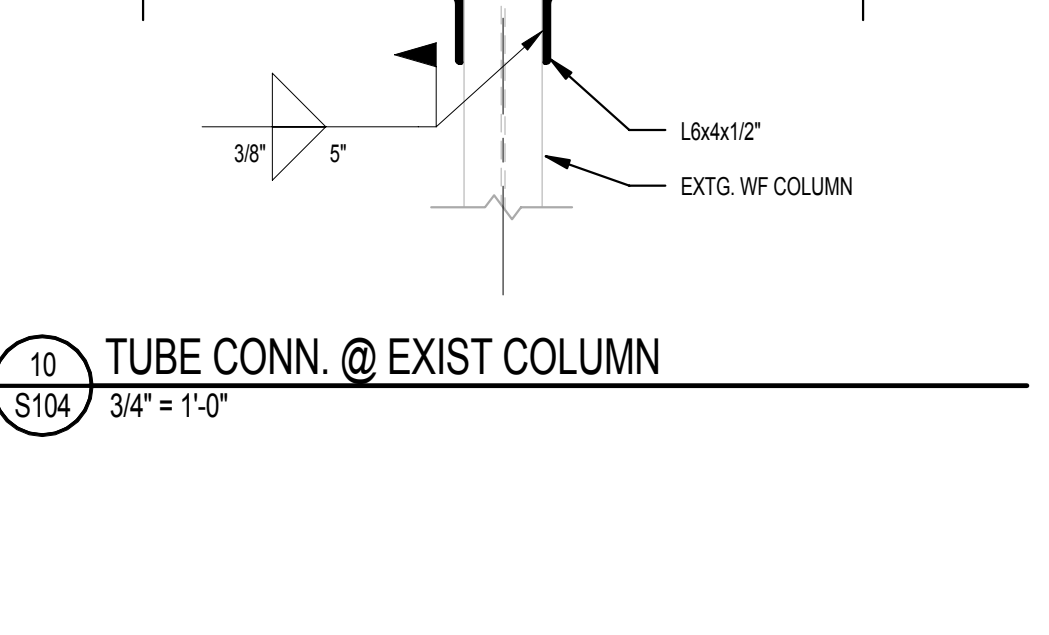
24 TYP. BOOM PLAN  
S104 1/2" = 1'-0"



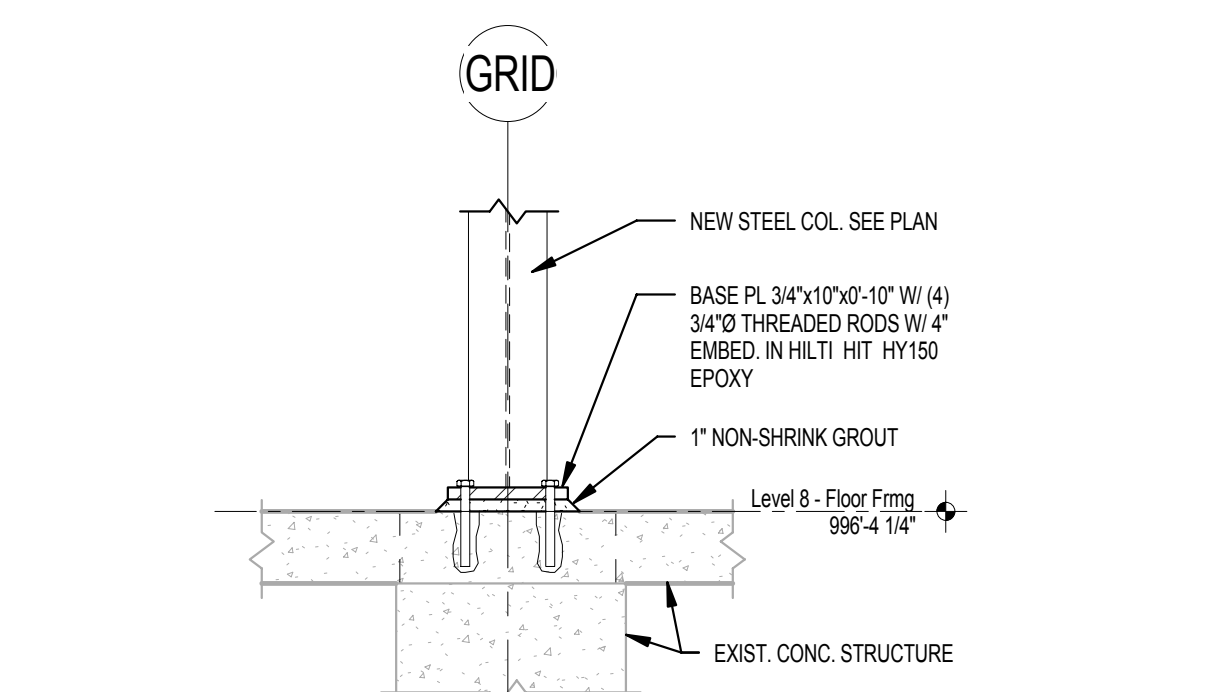
19 TYPICAL BEAM OVER COLUMN  
S104 3/4" = 1'-0"



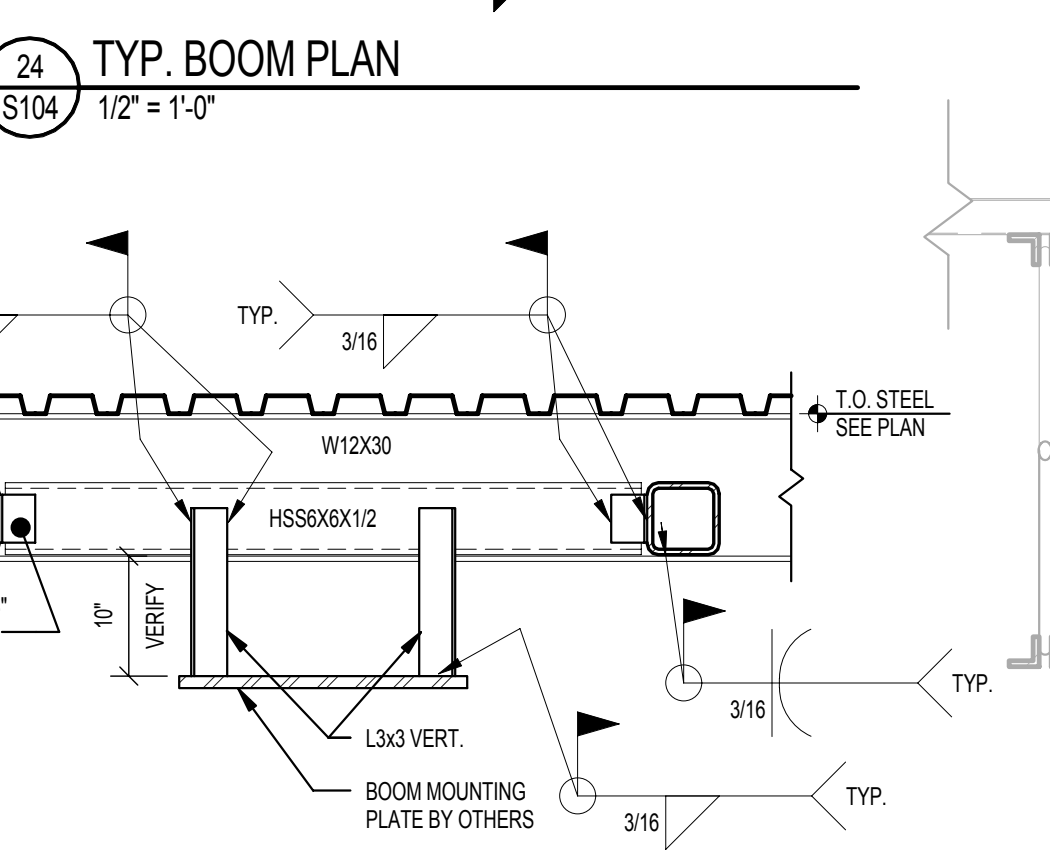
14 BRACING DETAIL TOP MIDDLE  
S104 1" = 1'-0"



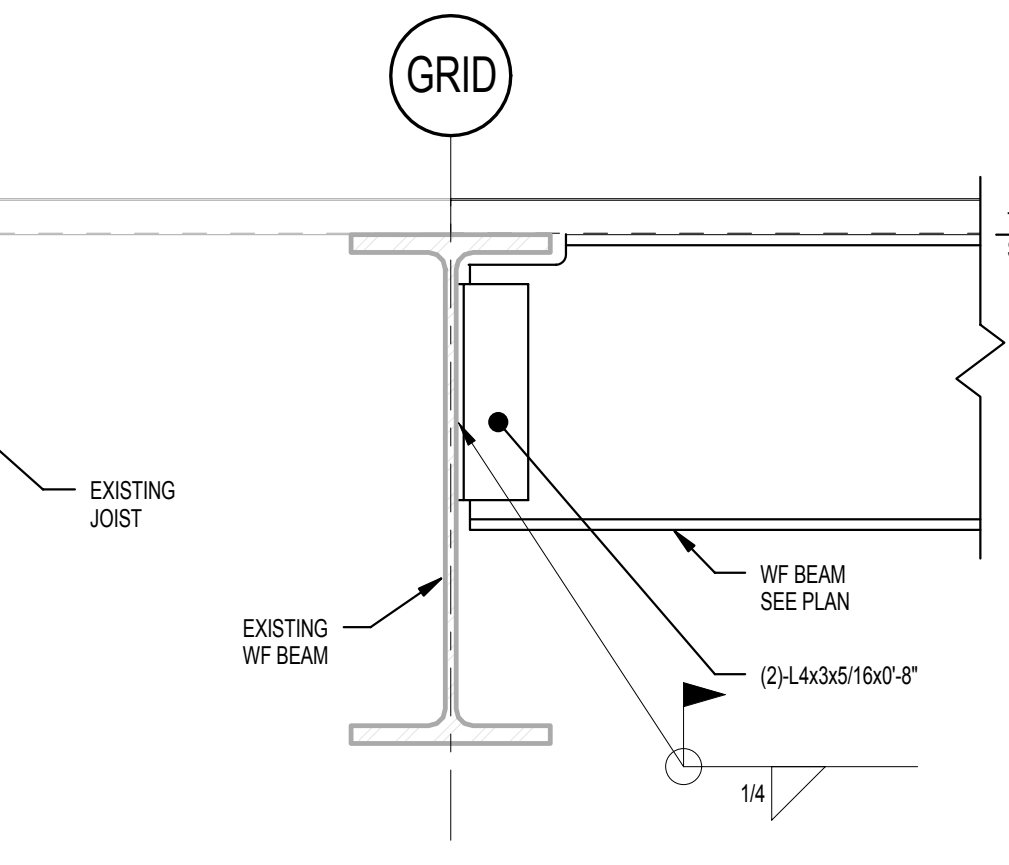
20 WIDE FLANGE CONNECTION  
S104 1-1/2" = 1'-0"



5 COLUMN BASE DETAIL  
S104 3/4" = 1'-0"



25 BOOM SECTION  
S104 3/4" = 1'-0"

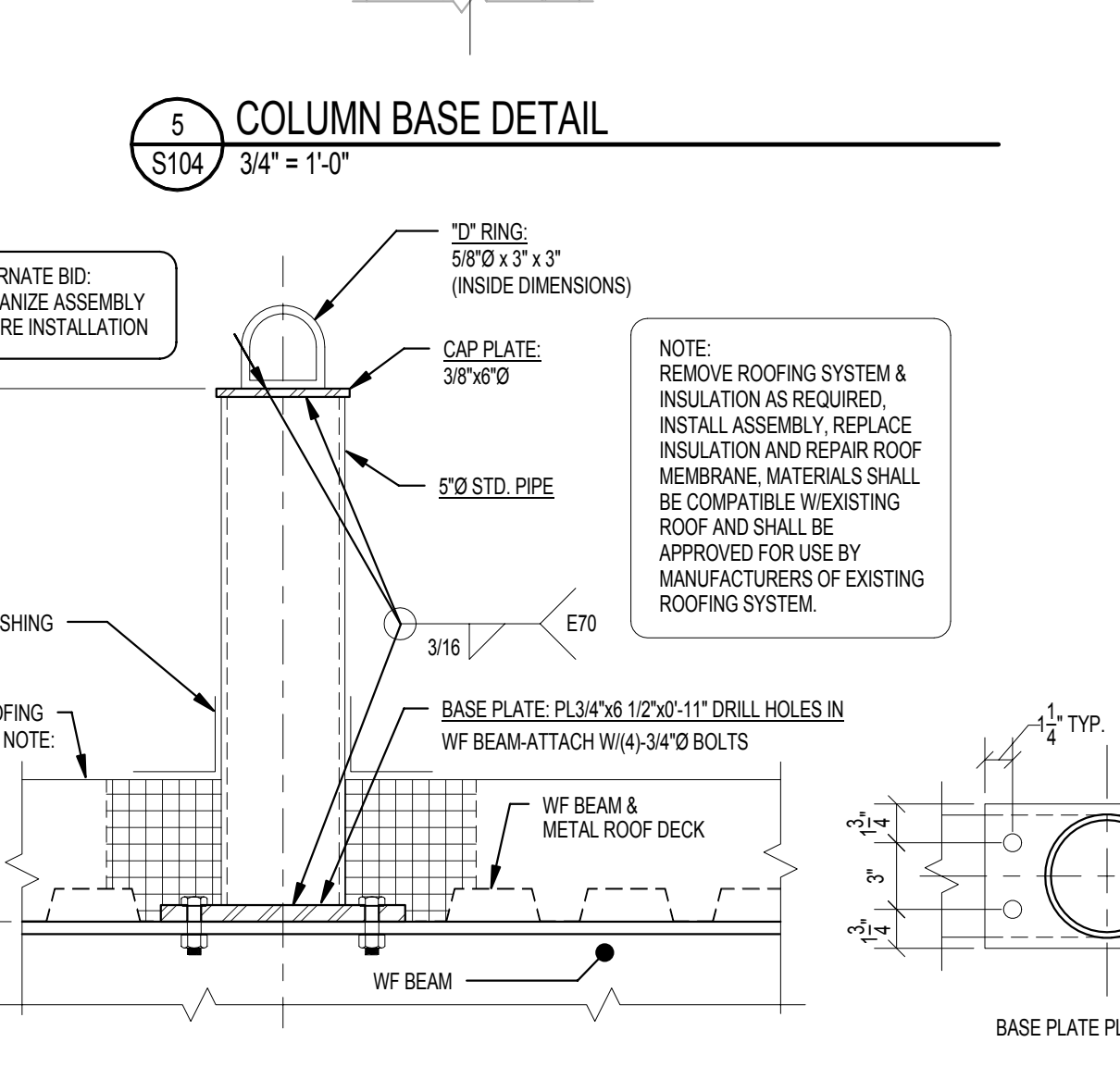


15 BEAM TO BEAM CONN. (ONE SIDE)  
S104 3/4" = 1'-0"

THICKNESS	OPENING	LINTEL
6"	ALL OPENINGS UP TO 7'-0"	2x3 1/2x2 1/2x1/4 (LLV) WELDED BACK-TO-BACK
8"	TO 5'-0"	2x3 1/2x3 1/2x1/4 WELDED BACK-TO-BACK
8"	TO 7'-0"	2x4x3 1/2x5/8 (LLV) WELDED BACK-TO-BACK
8"	TO 9'-0"	W7x15
10"	TO 13'-0"	W8x15 WPL 5/16"x7" CONT
10"	TO 3'-0"	CMU BOND BEAM W/2 #4 BARS CONT
10"	TO 7'-0"	W8x10 WPL 5/16"x6" CONT
10"	TO 10'-0"	W8x15 WPL 5/16"x6" CONT
12"	TO 8'-0"	W8x15 WPL 5/16"x11" CONT
12"	TO 12'-0"	W8x28 WPL 5/16"x11" CONT

FIRE EXTINGUISHER CABINETS 14" PLATE

NOTES:  
1. PROVIDE WHERE OTHER LINTELS ARE NOT SPECIFICALLY DETAILED.  
2. PROVIDE MINIMUM 8" BEARING EACH END. GROUT SOLID 2 COURSES BELOW BEARING.  
3. CENTER LINTELS IN WALL.  
4. EXTEND BOTTOM PLATES FULL LENGTH OF LINTEL.  
5. WELD LINTEL INTO SINGLE LINTLS. TYPICAL W.F. 3/16" 1/2" Ø.  
6. WHERE WINDOW OR DOOR FRAME DOES NOT COVER JOINT BETWEEN ANGLE LINTEL IS EXPOSED ADD 3/16" BOTTOM PLATE.



6 FALL ARREST ROOF ANCHOR  
S104 1-1/2" = 1'-0"

STRUCTURAL NOTES

DESIGN STRESSES

CONCRETE:	STRUCTURAL SLAB	f <sub>c</sub> = 4000 psi
	SLAB ON-GRADE	f <sub>c</sub> = 3000 psi
	REBAR	f <sub>y</sub> = 60 ksi
STRUCTURAL STEEL:	WF BEAM	F <sub>y</sub> = 50 ksi
	TUBE COLUMN	F <sub>y</sub> = 46 ksi
MASONRY:	OTHER	GR 36
	CMU	f <sub>m</sub> = 2500 psi
	MORTAR TYPE "S"	f <sub>m</sub> = 1800 psi

DESIGN LOADS

FLOOR LIVE LOADS:	MECHANICAL PENTHOUSE	75 psf + EQUIPMENT
	SNOW LOADING:	
	P <sub>g</sub>	35 psf
	S <sub>g</sub>	1.20
	C <sub>t</sub>	1.0
	C <sub>e</sub>	9
	WIND LOADING:	
	V	90 mph
	I <sub>w</sub>	1.15
	IMPORTANCE CATEGORY	IV (B/C)
	EXPOSURE	C
	GLCP	± 1.8
	SEISMIC:	
	SEISMIC DESIGN CATEGORY	C
	S <sub>DS</sub>	1.17%
	S <sub>D1</sub>	4.7%
	I <sub>s</sub>	1.5
	ANALYSIS PROCEDURE	SIMPLIFIED

ENGINEERS:



6402 Osage Road, Madison, WI 53719  
Phone: 608.286.1108 / Fax: 608.286.1109



10101 Innovation Drive - Suite 200, Milwaukee, WI 53206  
Phone: 414.778.1700 / Fax: 414.778.2900 / e:rd@rdg.com

ARCHITECT:



Kahler Slater Project No. 211033.00

111 West Wisconsin Avenue, Milwaukee, Wisconsin 53203  
Telephone 414.272.2000 / Fax 414.272.2001  
44 East Millin Street, Suite 700, Madison, Wisconsin 53703  
Telephone 608.283.6300 / Fax 608.283.6317

Drawing Title

STRUCTURAL DETAILS

Approved: Project Director

Project Title

WM. W. MIDDLETON MEMORIAL VETERAN'S HOSPITAL - CONSOLIDATE ICUs, 8A/8B

Location  
MADISON, WI

Date  
DEC. 3, 2012

Checked  
JGM

Drawn  
DLW

Project Number

607-394

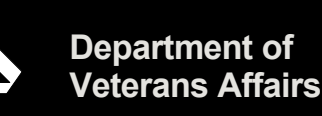
Building Number

1

Drawing Number

S104  
Dwg. 85 of 86

Office of Construction and Facilities Management

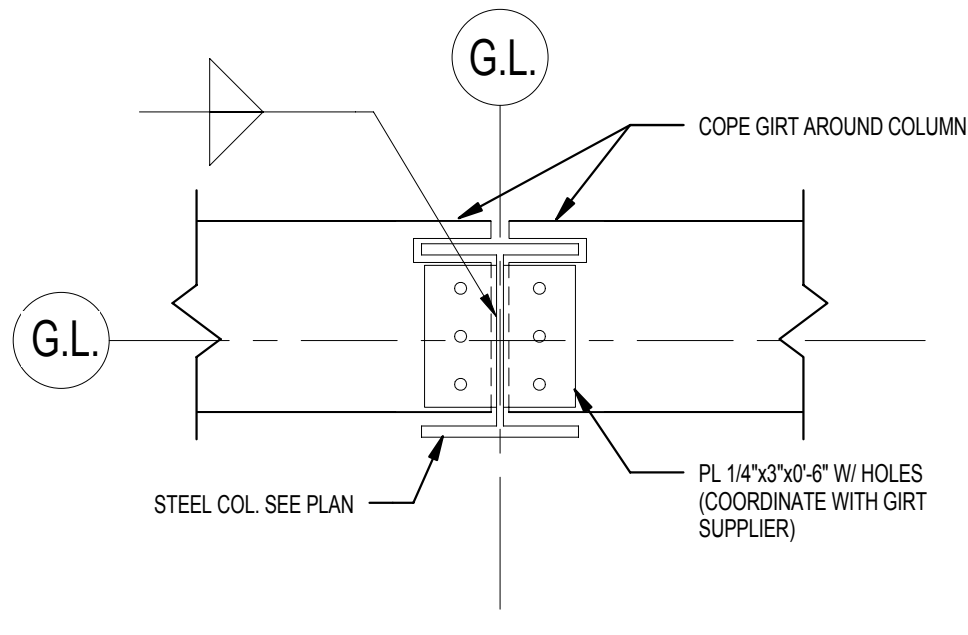


Department of Veterans Affairs

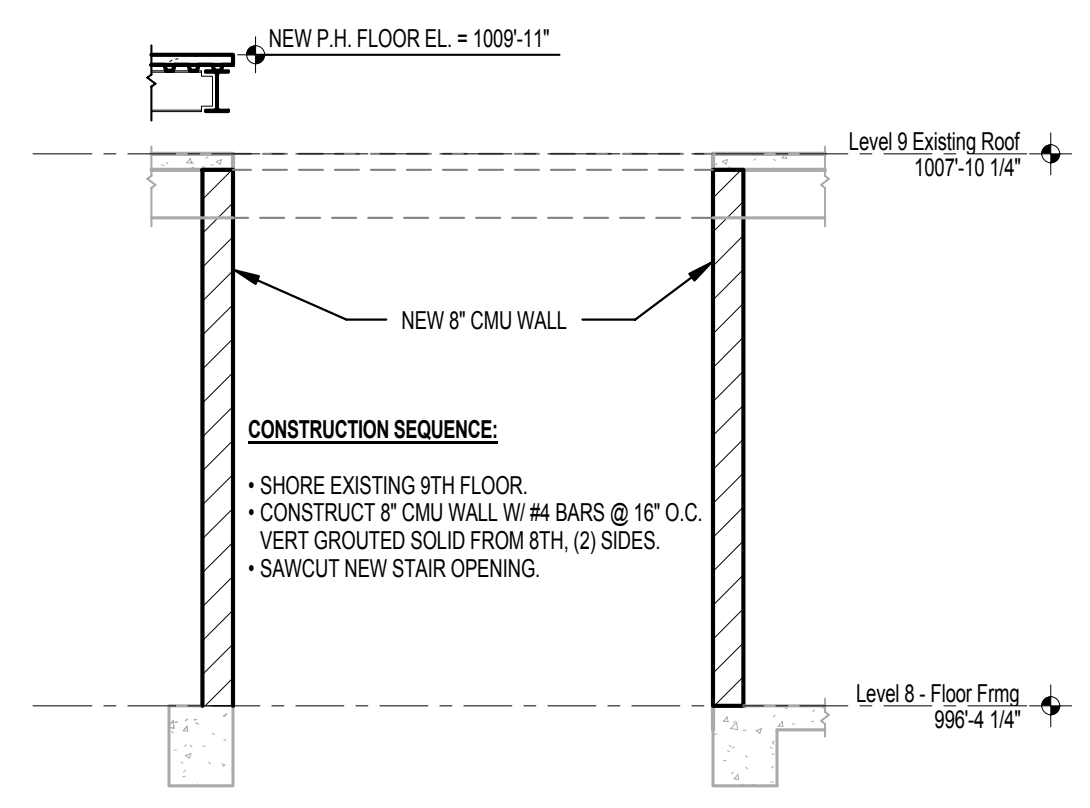


three inches = one foot  
 one and one half inches = one foot  
 one inch = one foot  
 three quarters inch = one foot  
 one half inch = one foot  
 three eighths inch = one foot  
 one quarter inch = one foot  
 one eighth inch = one foot

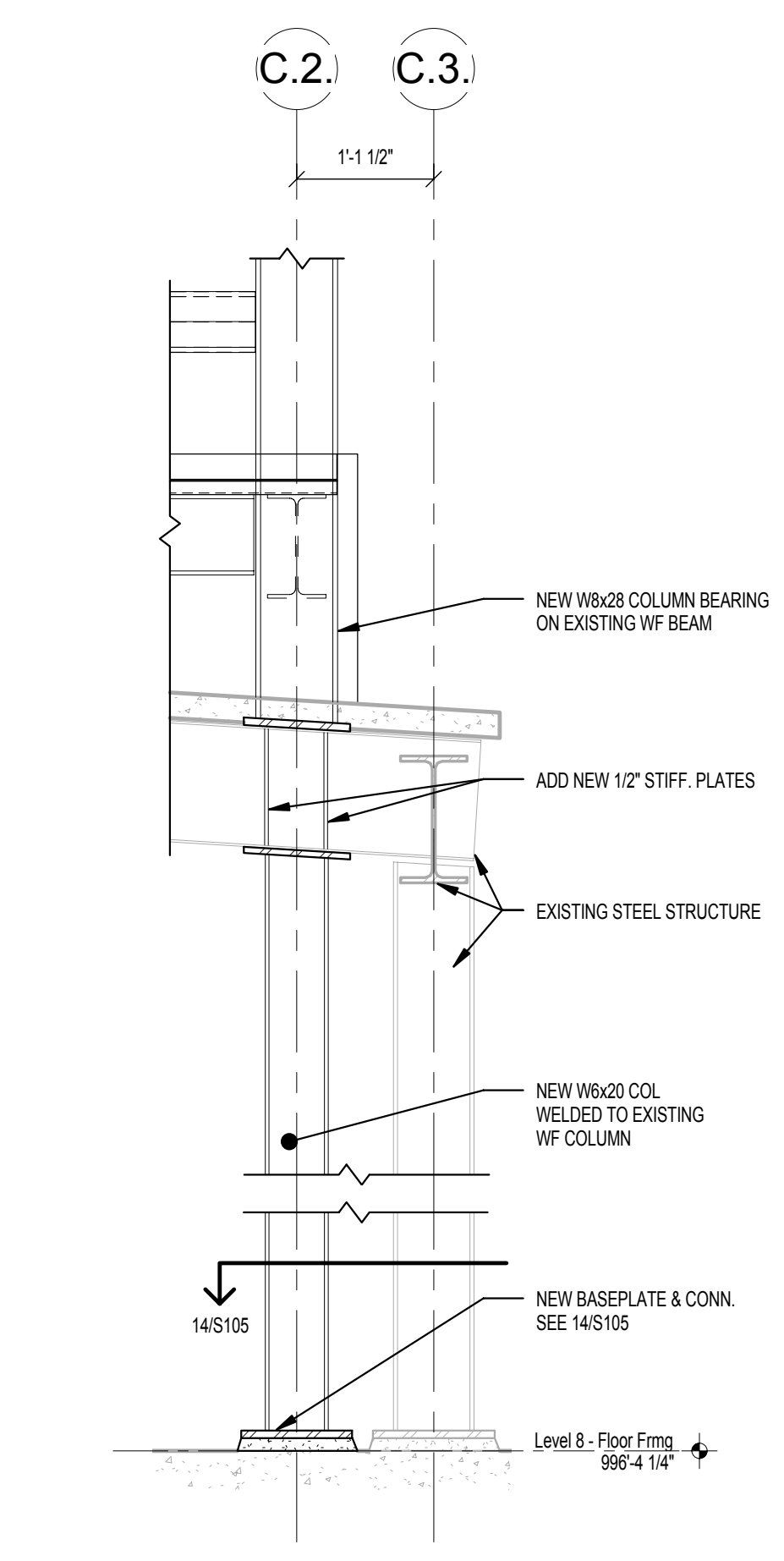
**UNIT A & B PENTHOUSE DETAILS**



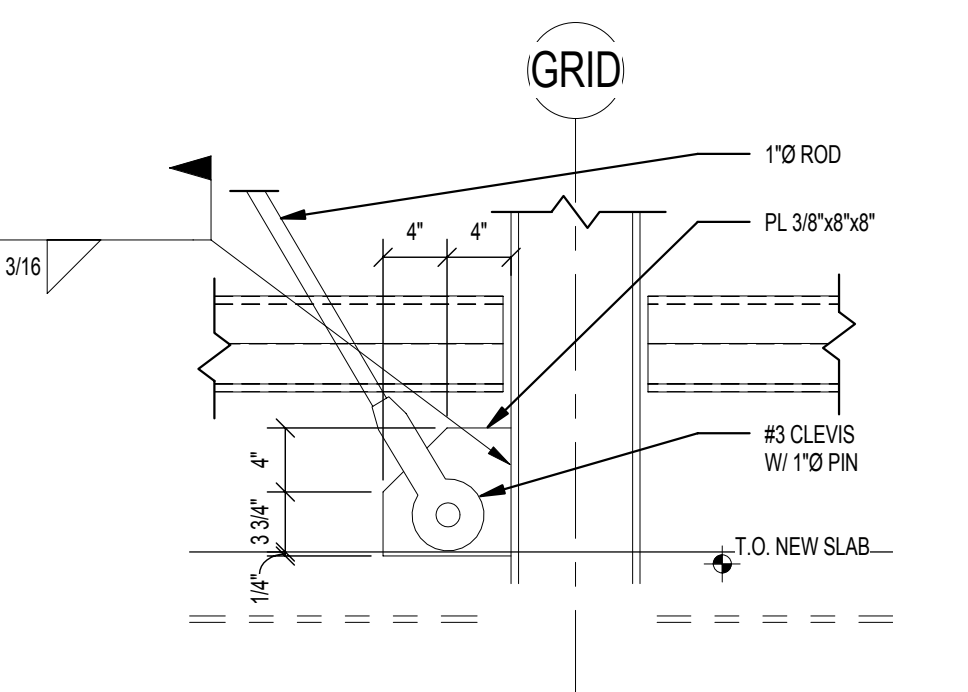
**17 GIRT CONNECTION DETAIL**  
 S105 1 1/2" = 1'-0"



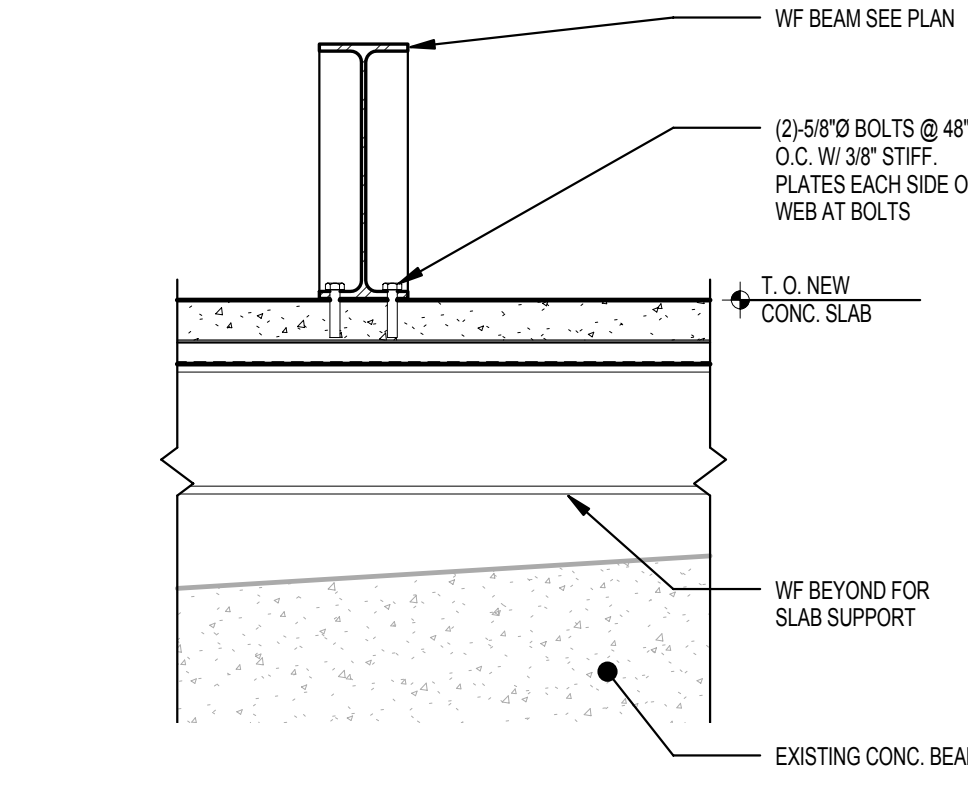
**18 PH STAIR SECTION**  
 S105 1/4" = 1'-0"



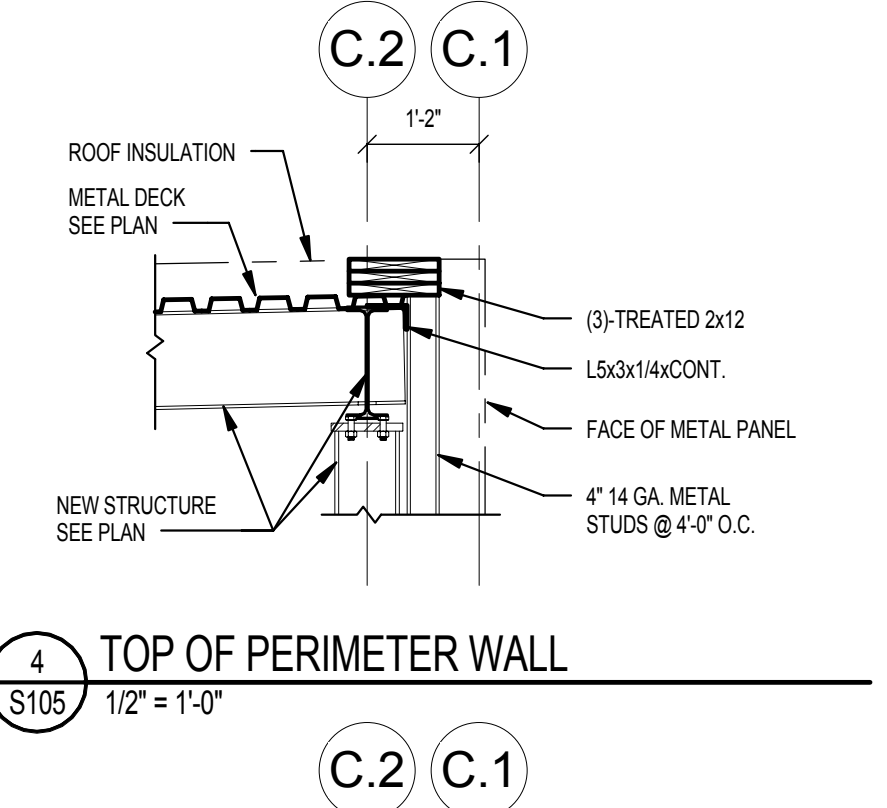
**13 SECTION AT 8TH FLOOR REMOVAL**  
 S105 3/4" = 1'-0"



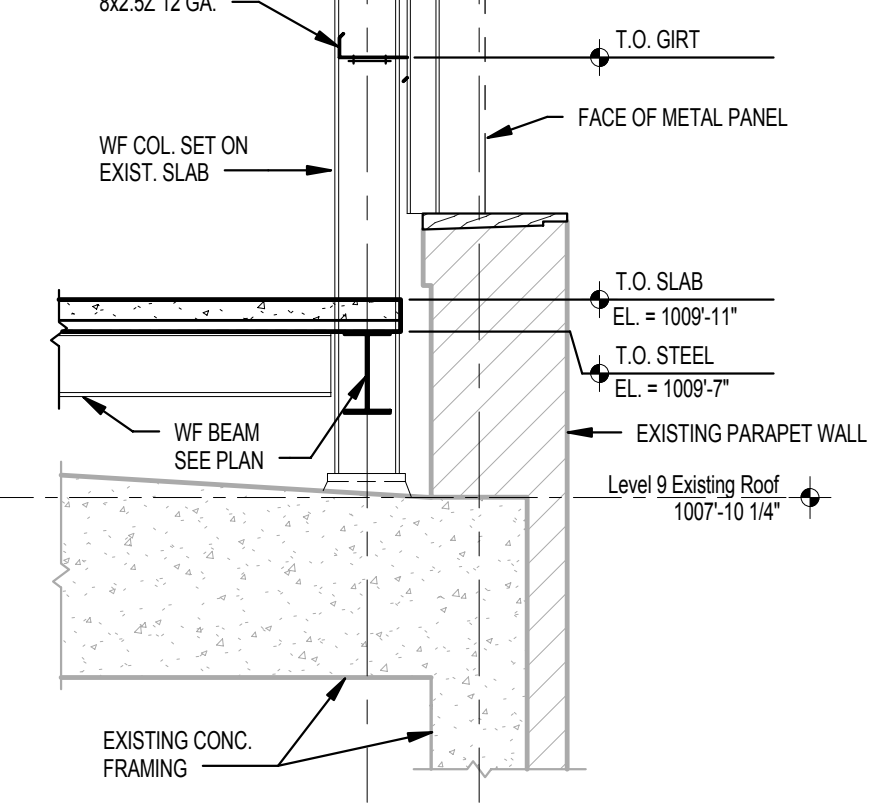
**8 TYP. ROD CONN. @ COLUMN**  
 S105 1" = 1'-0"



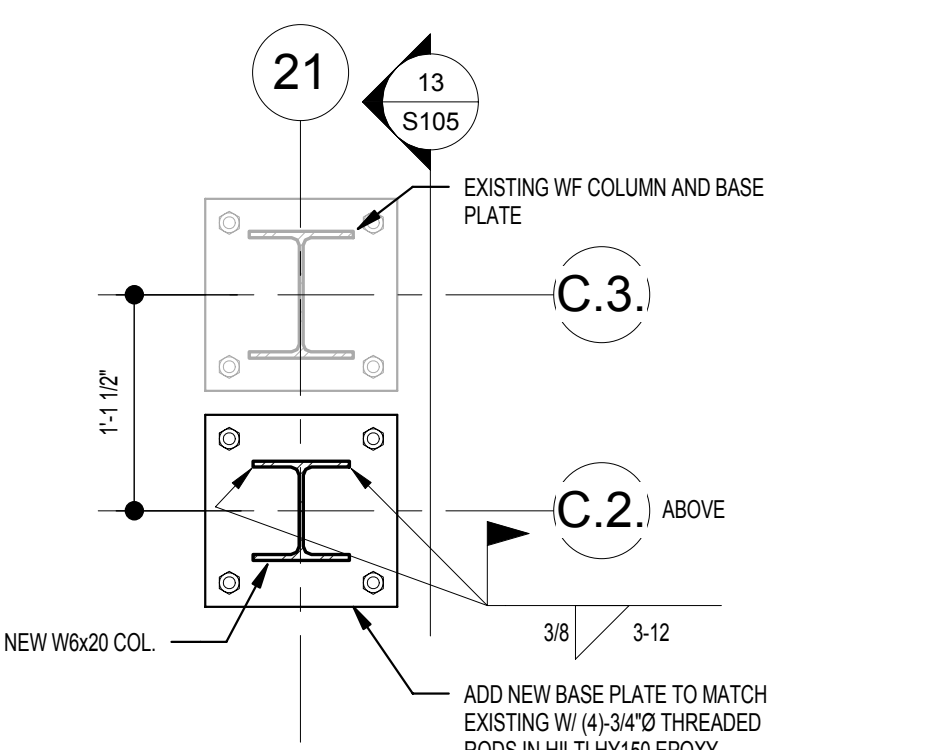
**9 AHU BEAM SUPPORT DTL**  
 S105 1" = 1'-0"



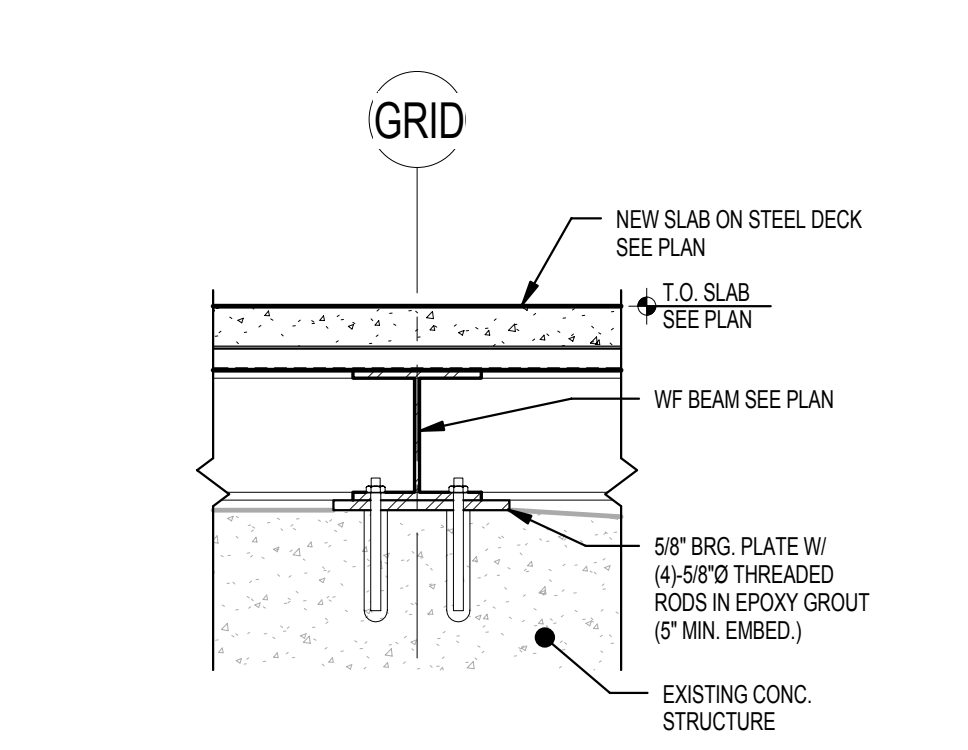
**4 TOP OF PERIMETER WALL**  
 S105 1/2" = 1'-0"



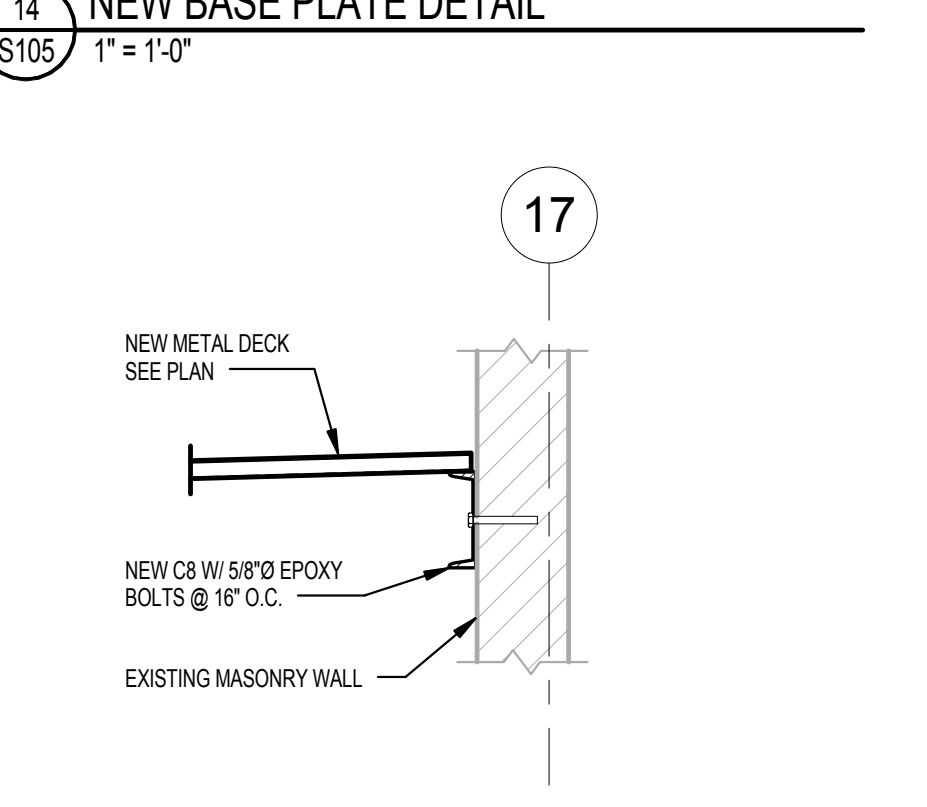
**5 PERIMETER COLUMN BASE DETAIL**  
 S105 1/2" = 1'-0"



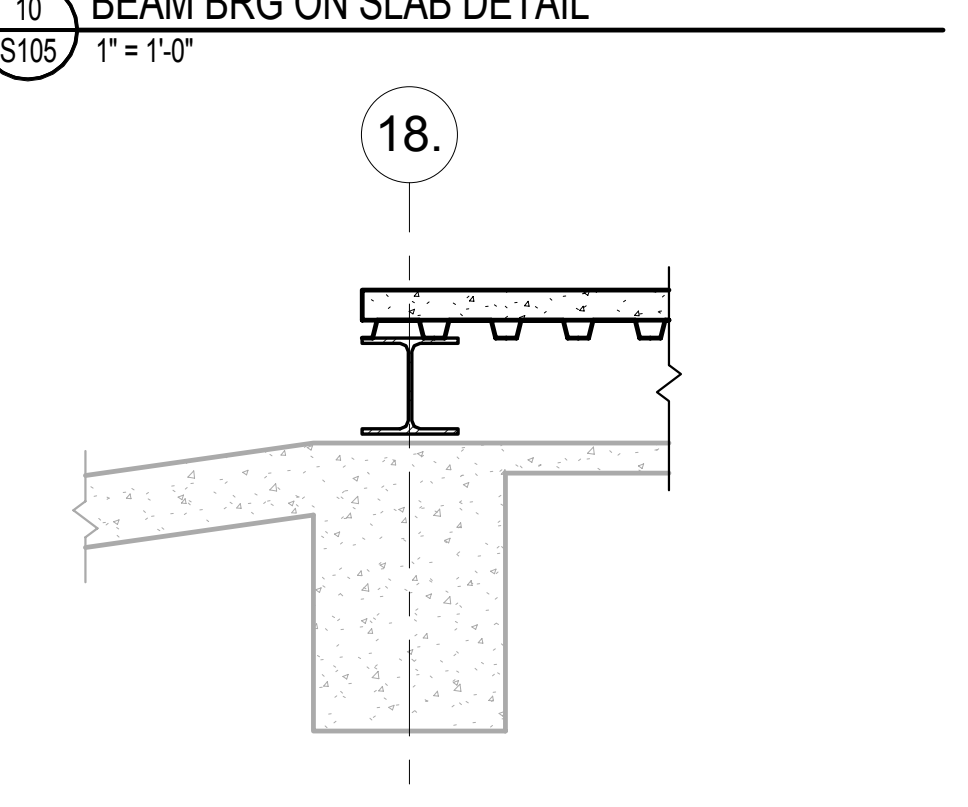
**14 NEW BASE PLATE DETAIL**  
 S105 1" = 1'-0"



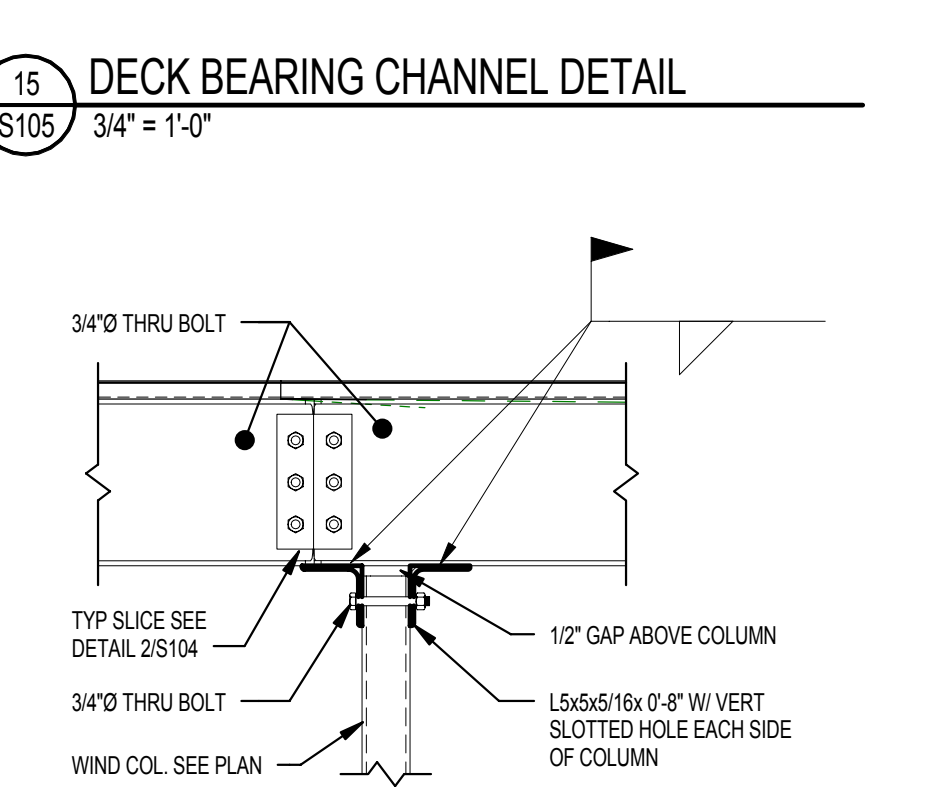
**10 BEAM BRG ON SLAB DETAIL**  
 S105 1" = 1'-0"



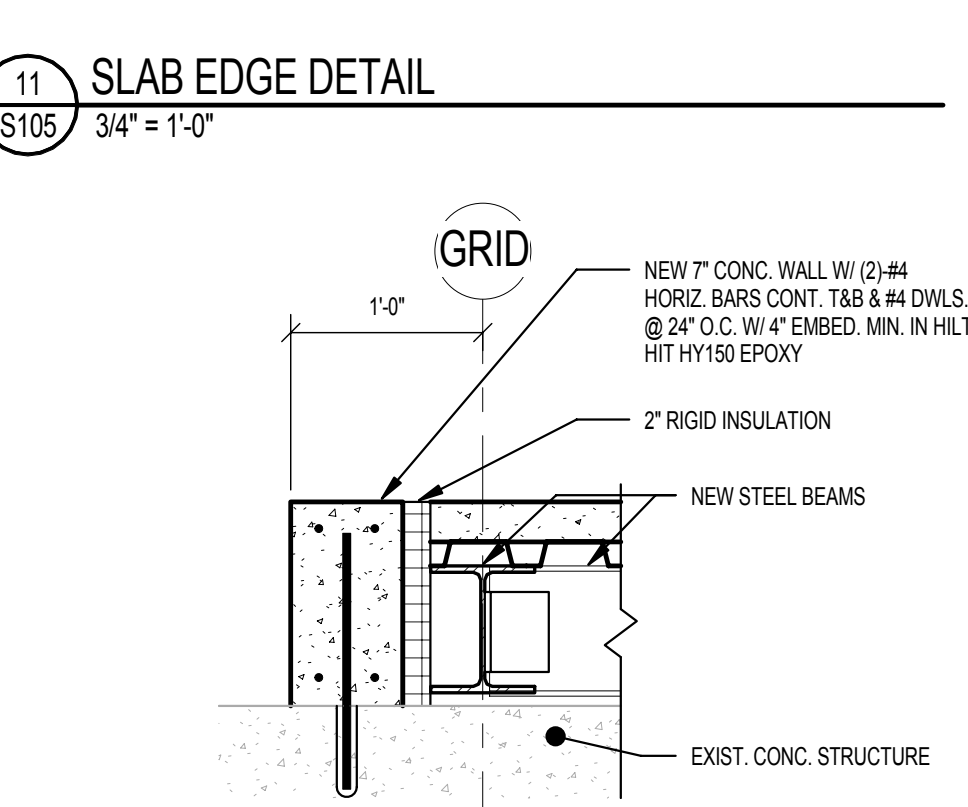
**15 DECK BEARING CHANNEL DETAIL**  
 S105 3/4" = 1'-0"



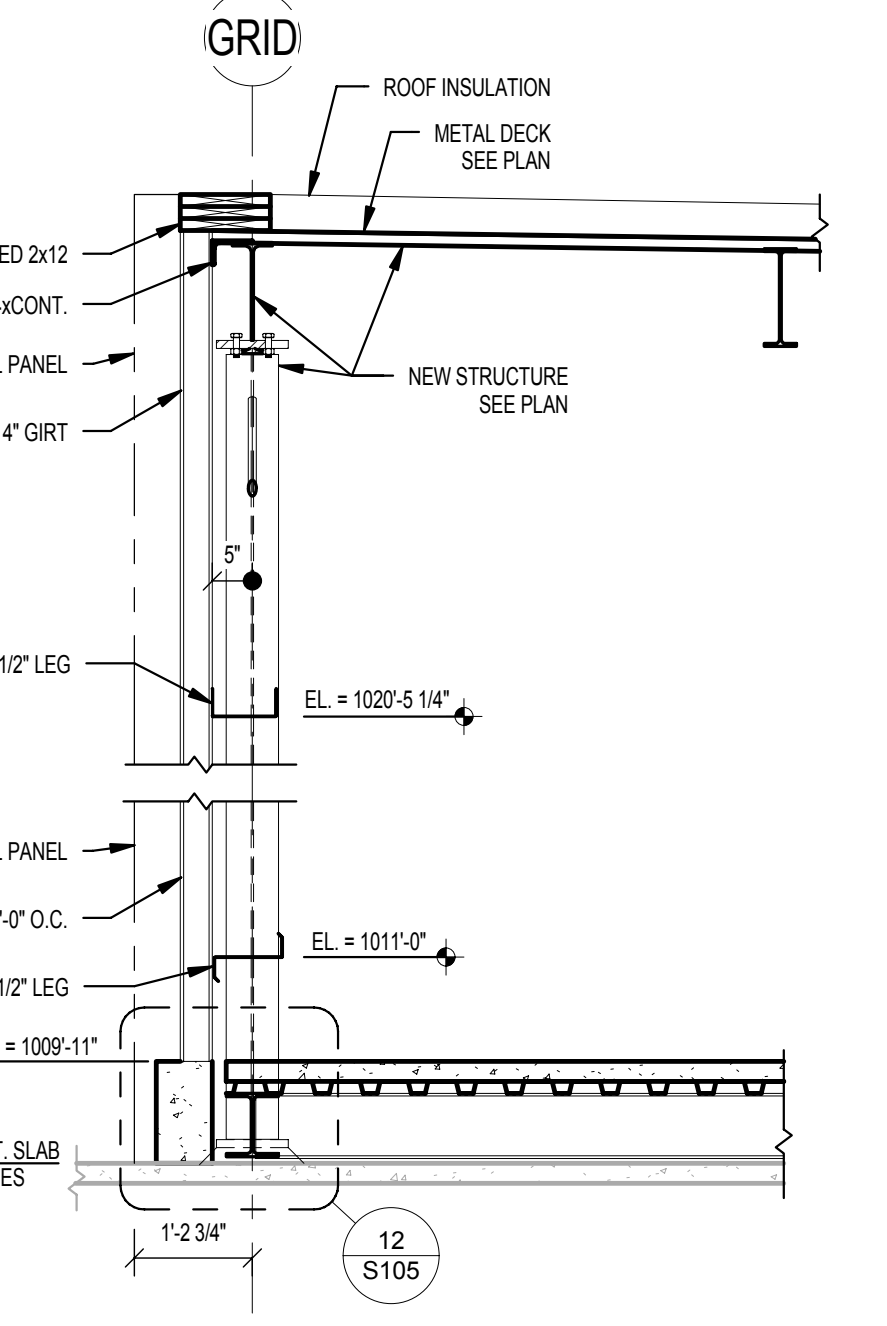
**11 SLAB EDGE DETAIL**  
 S105 3/4" = 1'-0"



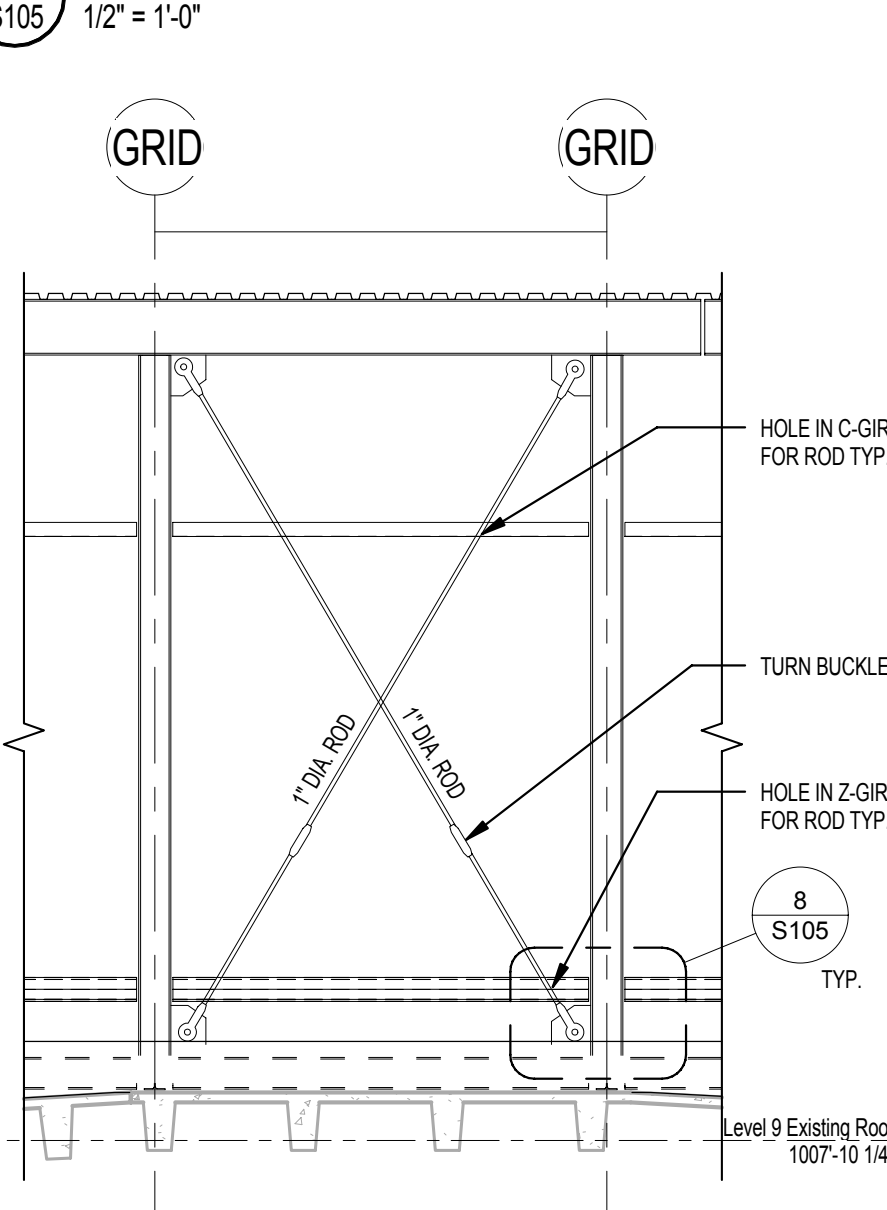
**16 WIND COLUMN CONNECTION**  
 S105 3/4" = 1'-0"



**12 SLAB EDGE AT END WALL**  
 S105 1" = 1'-0"

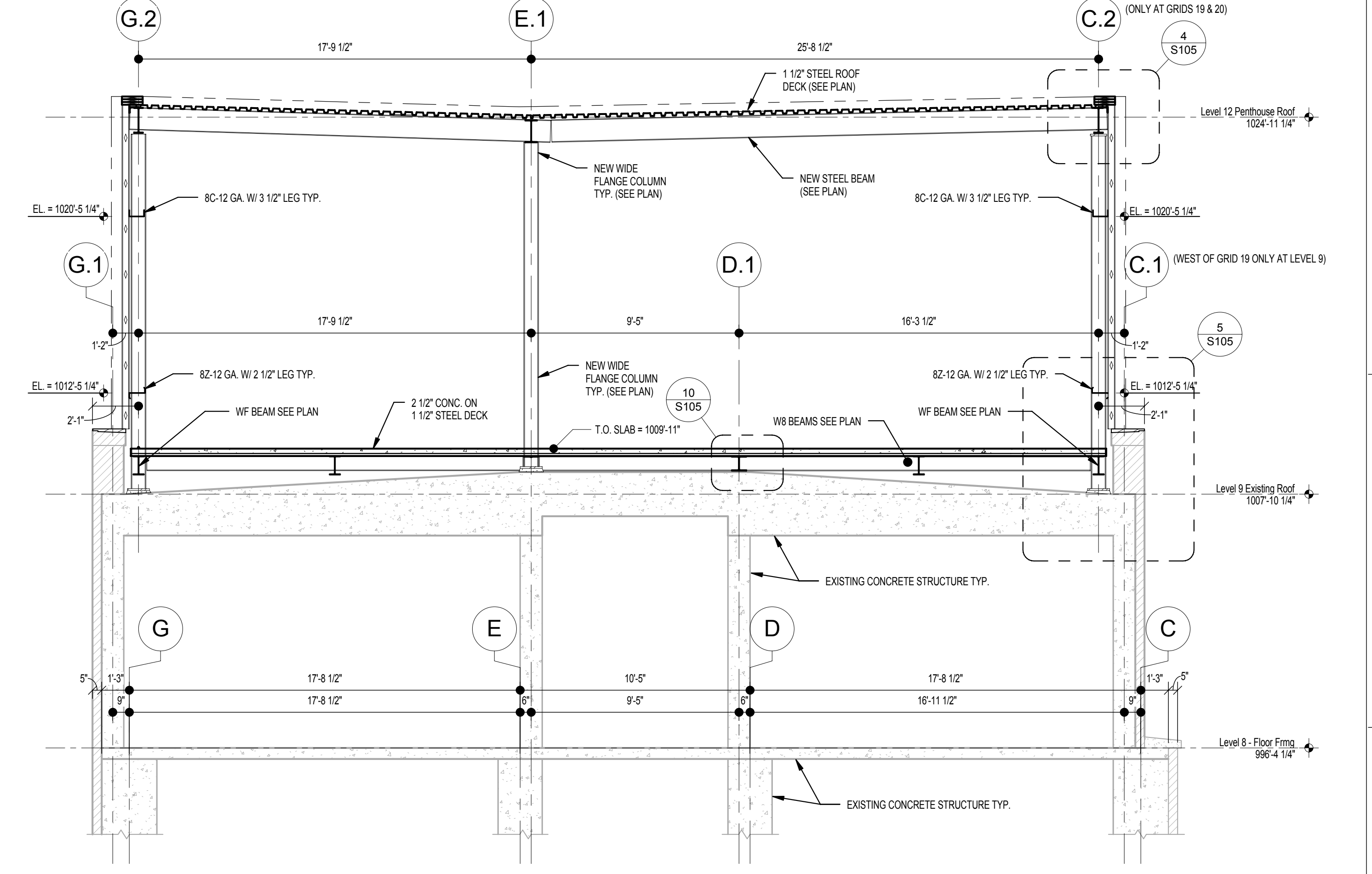


**6 SECTION AT END WALL**  
 S105 1/2" = 1'-0"

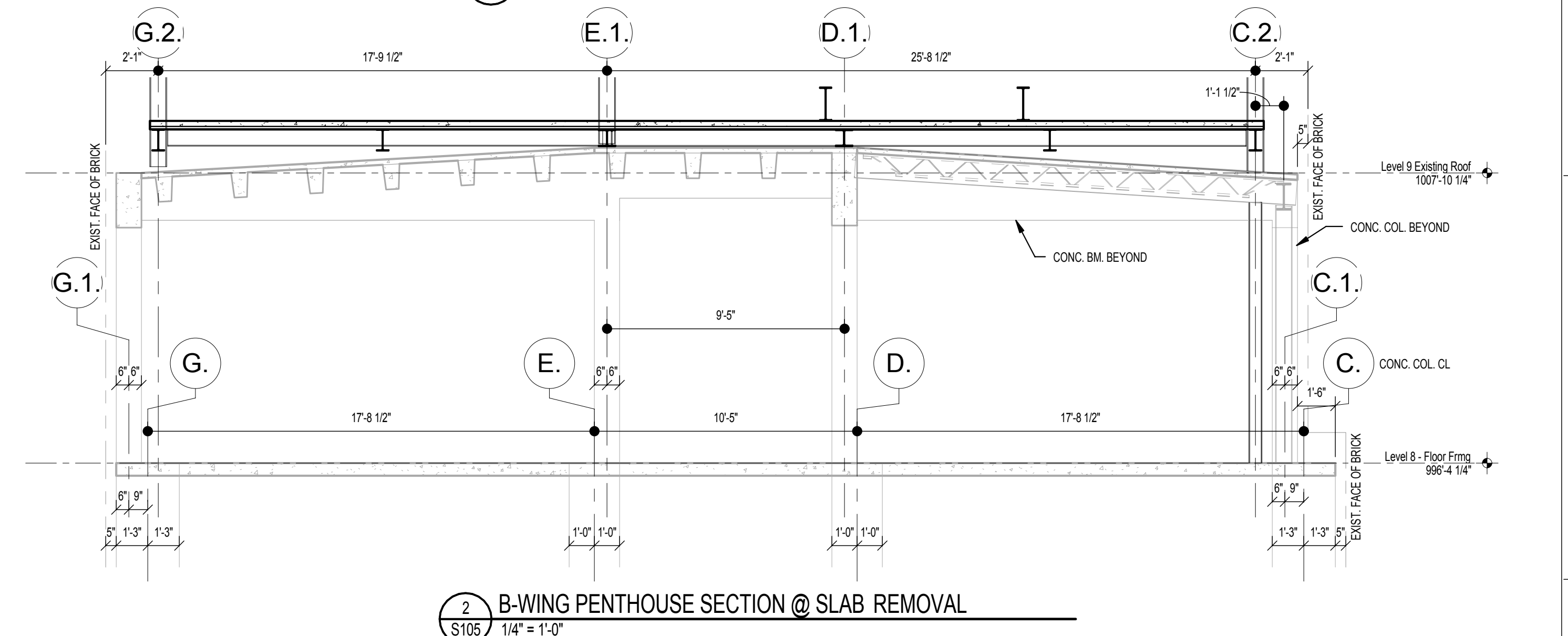


**7 TYP 'X' BRACING**  
 S105 1/4" = 1'-0"

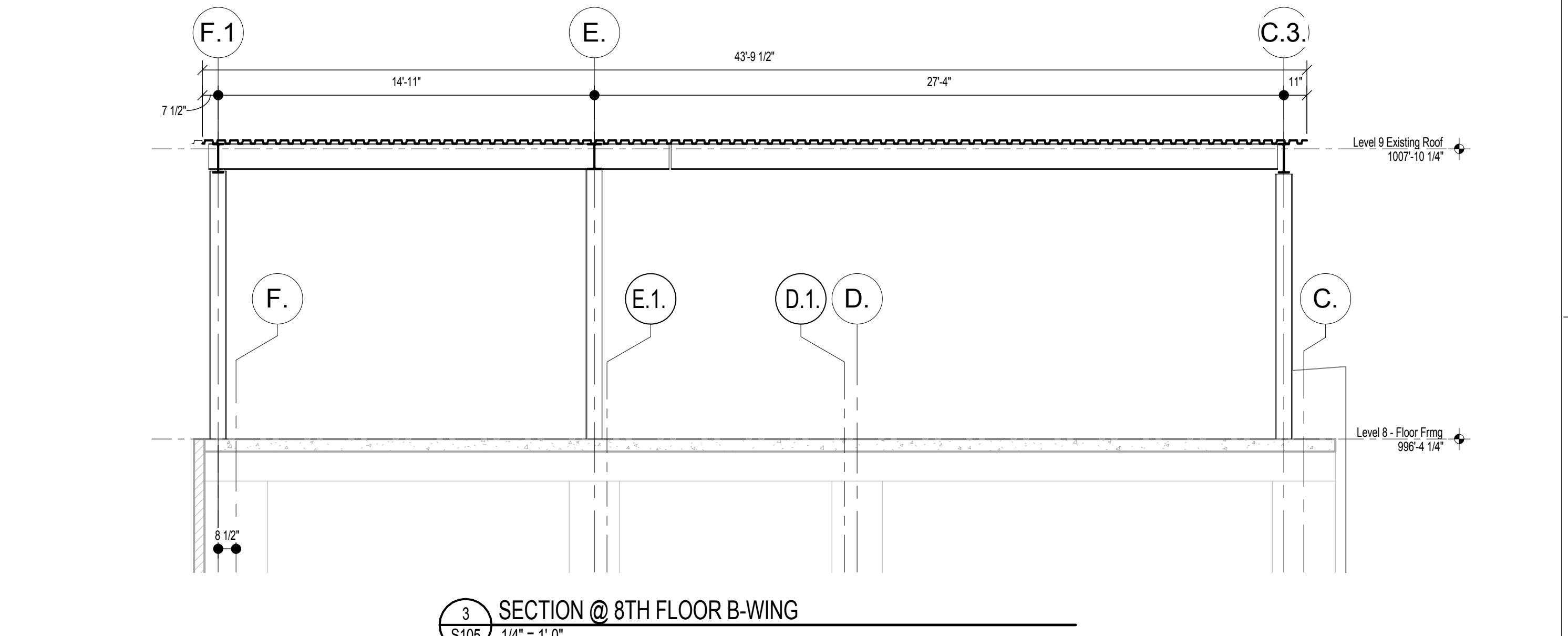
**UNIT A & B PENTHOUSE SECTION**



**1 TYP. PENTHOUSE BUILDING SECTION**  
 S105 1/4" = 1'-0"



**2 B-WING PENTHOUSE SECTION @ SLAB REMOVAL**  
 S105 1/4" = 1'-0"



**3 SECTION @ 8TH FLOOR B-WING**  
 S105 1/4" = 1'-0"

<b>ENGINEERS:</b>  6402 Clara Road, Madison, WI 53719 Phone: 608.286.1108 / Fax: 608.286.1109		<b>ARCHITECT:</b>  Kahler Slater Project No. 211033.00 111 West Wisconsin Avenue, Milwaukee, Wisconsin 53203 Telephone 414.272.2000 / Fax 414.272.2001 44 East Millin Street, Suite 700, Madison, Wisconsin 53703 Telephone 608.283.6300 / Fax 608.283.6317		Drawing Title <b>STRUCTURAL SECTIONS &amp; DETAILS</b> Approved: Project Director		Project Title <b>WM. W. MIDDLETON MEMORIAL VETERAN'S HOSPITAL - CONSOLIDATE ICUs, 8A/8B</b> Location <b>MADISON, WI</b> Date DEC. 3, 2012		Project Number <b>607-394</b> Building Number <b>1</b> Drawing Number <b>S105</b> Dwg. 86 of 86		Office of Construction and Facilities Management 	
--	--	---	--	---	--	--	--	---	--	--	--