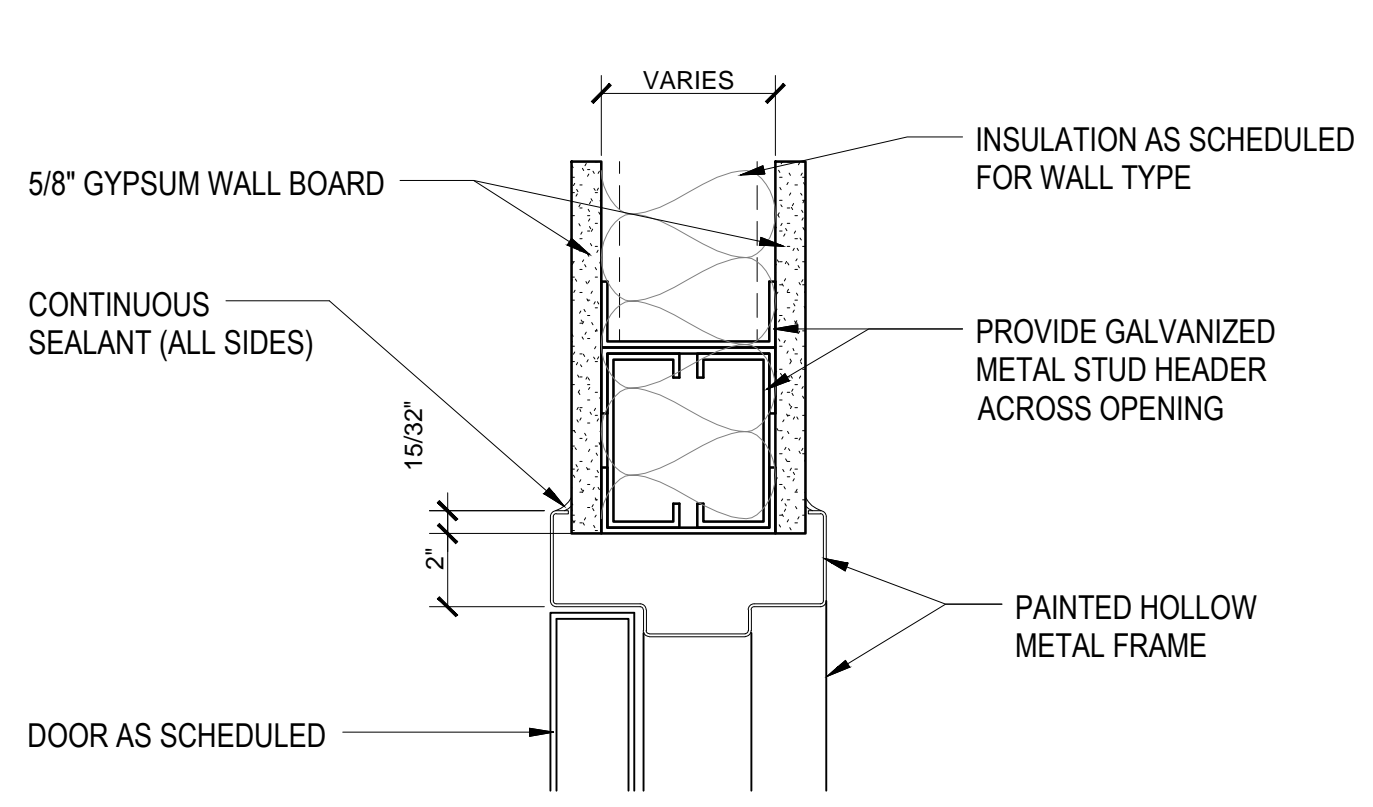
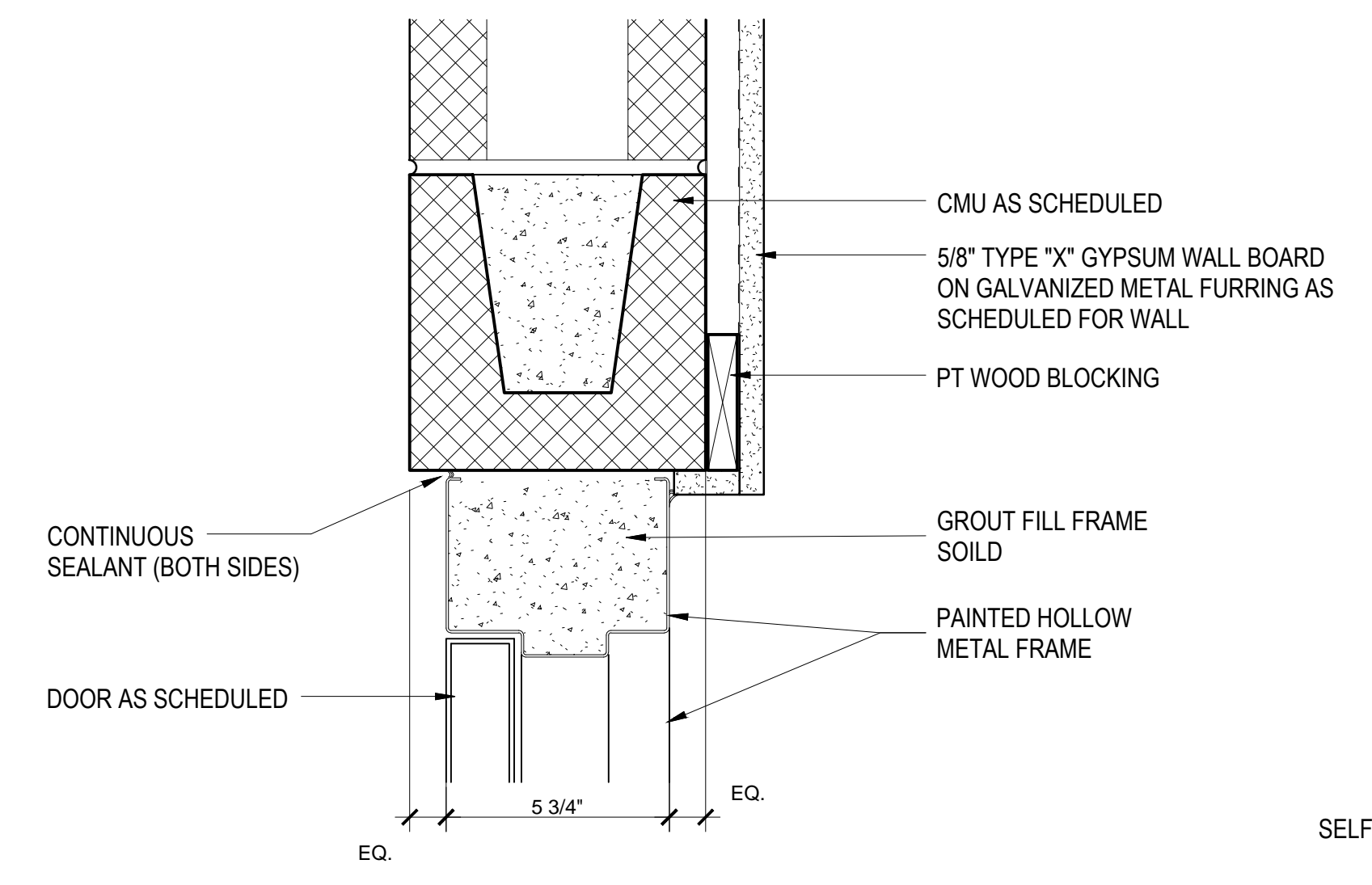


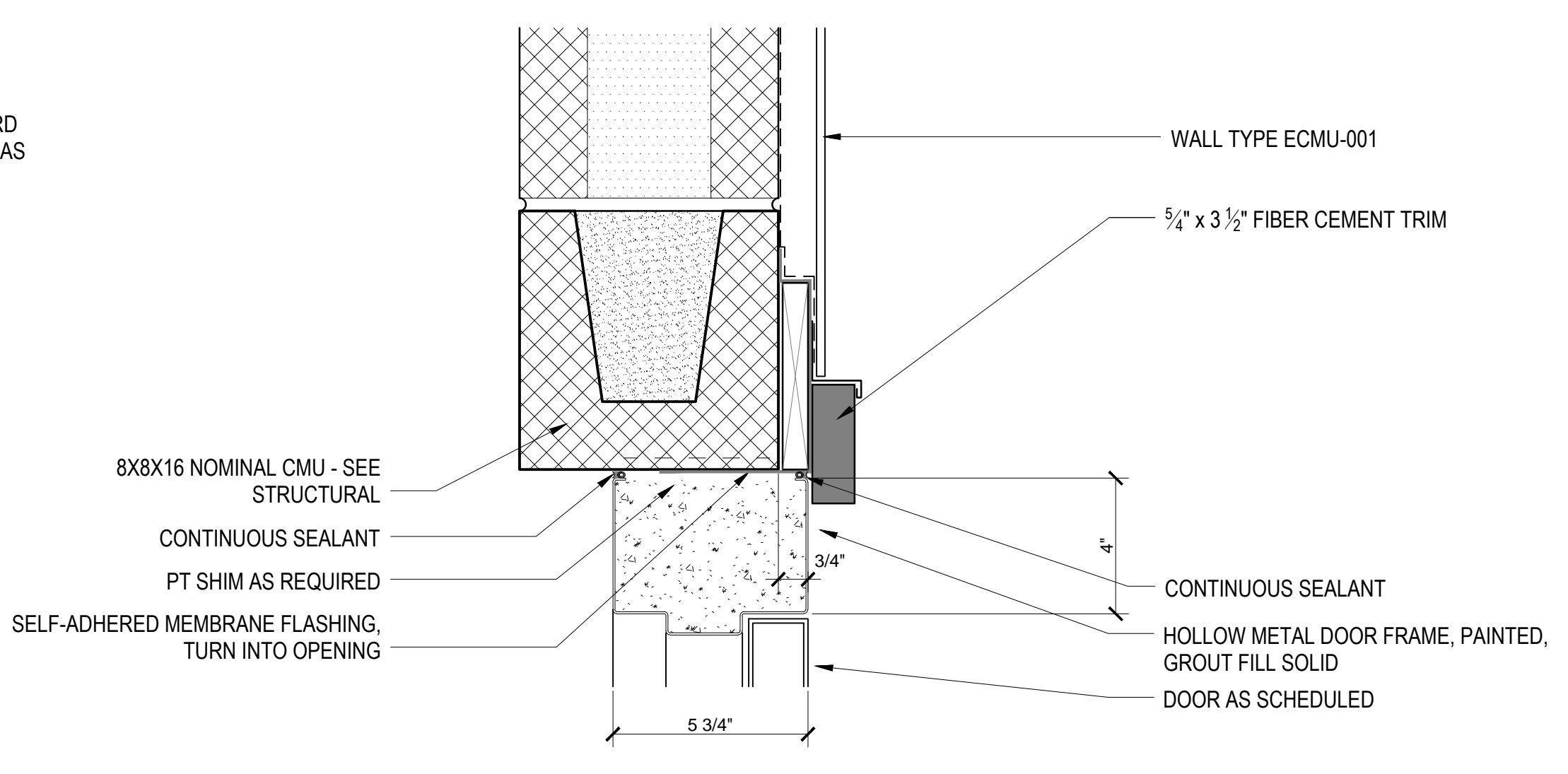
three inches = one foot  
 one and one half inches = one foot  
 one inch = one foot  
 one quarter inch = one foot  
 three quarters inch = one foot  
 one half inch = one foot  
 three eighths inch = one foot  
 one eighth inch = one foot  
 one quarter inch = one foot  
 one eighth inch = one foot



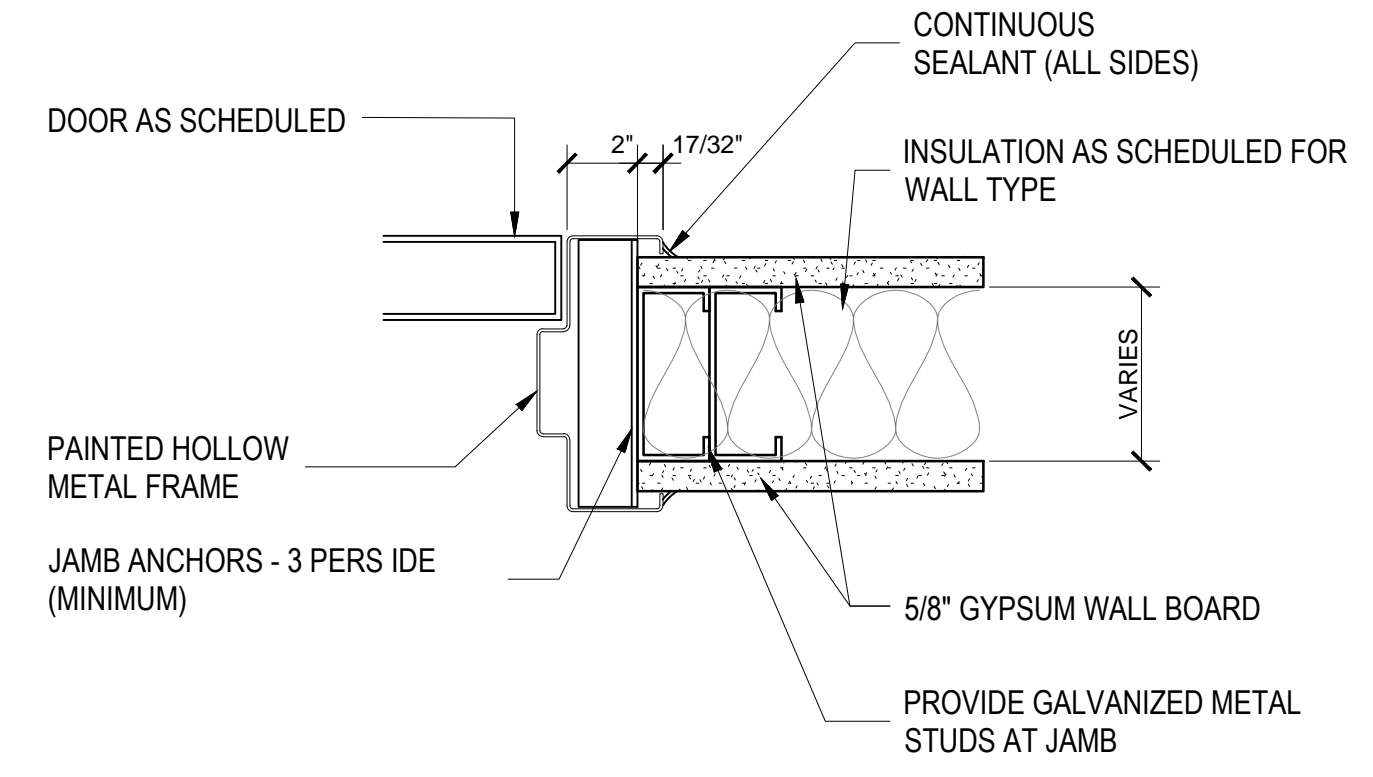
1 H.M. FRAME HEAD DETAIL  
 AS602 3" = 1'-0"



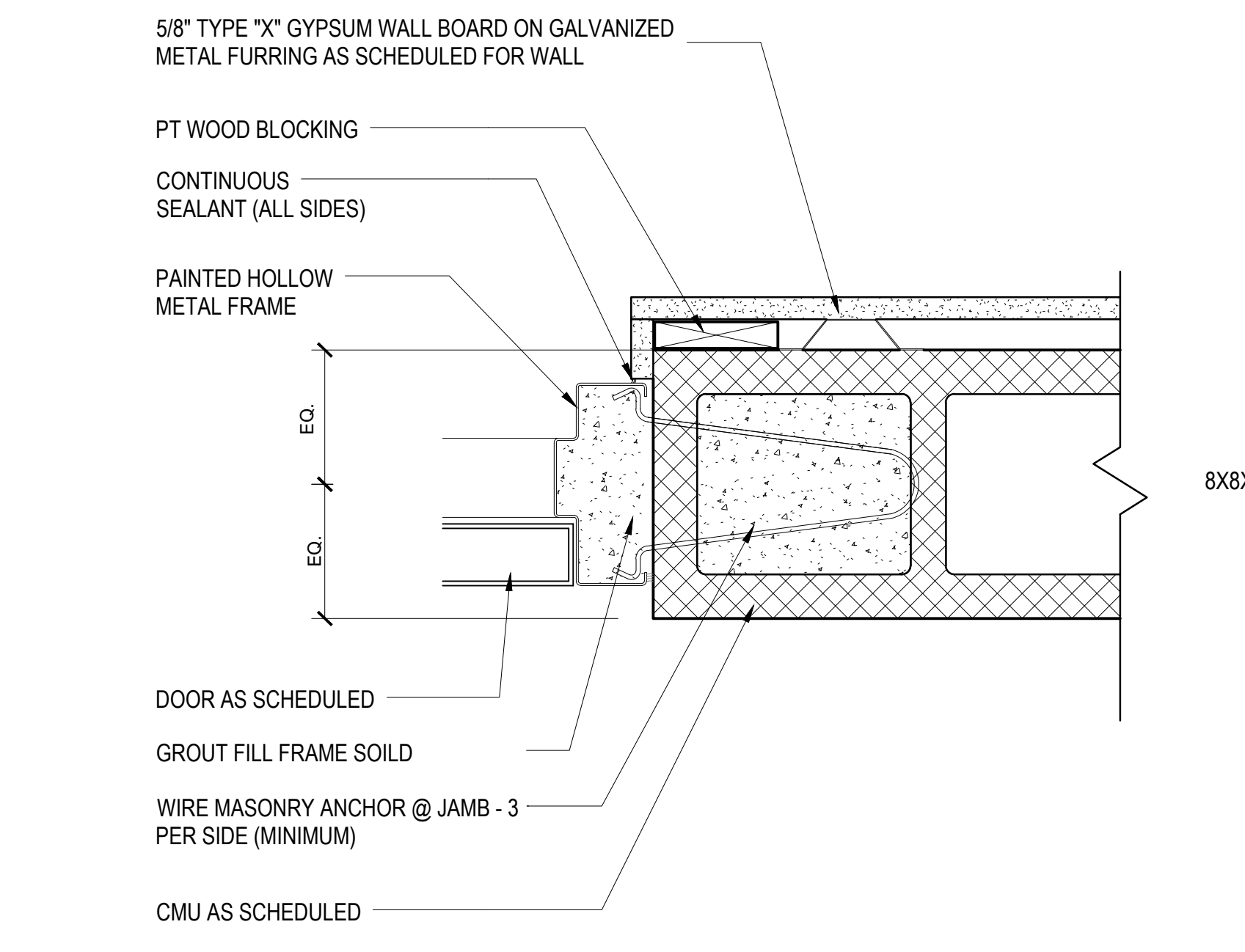
5 INTERIOR CMU DOOR HEAD DETAIL  
 AS602 3" = 1'-0"



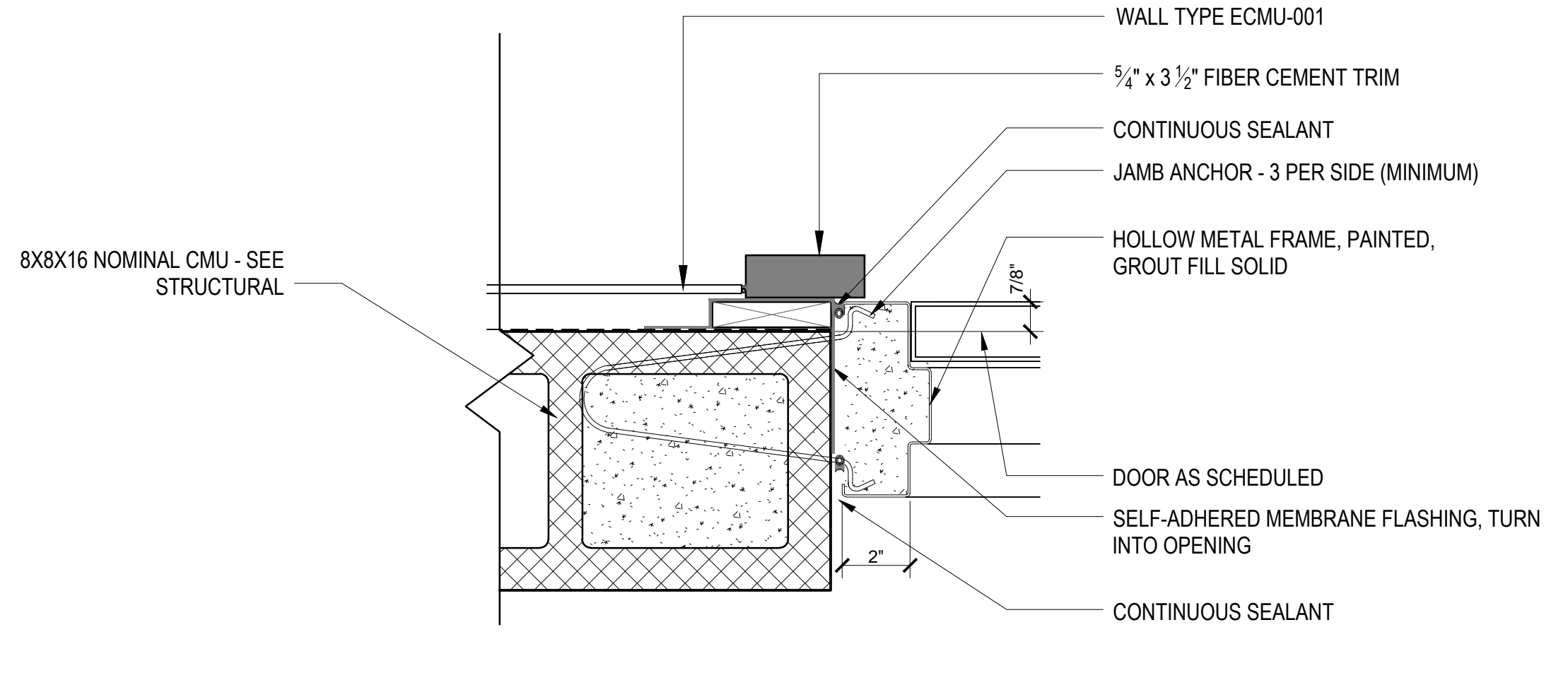
9 EXTERIOR HM DOOR HEAD DETAIL (CMU WALL)  
 AS602 3" = 1'-0"



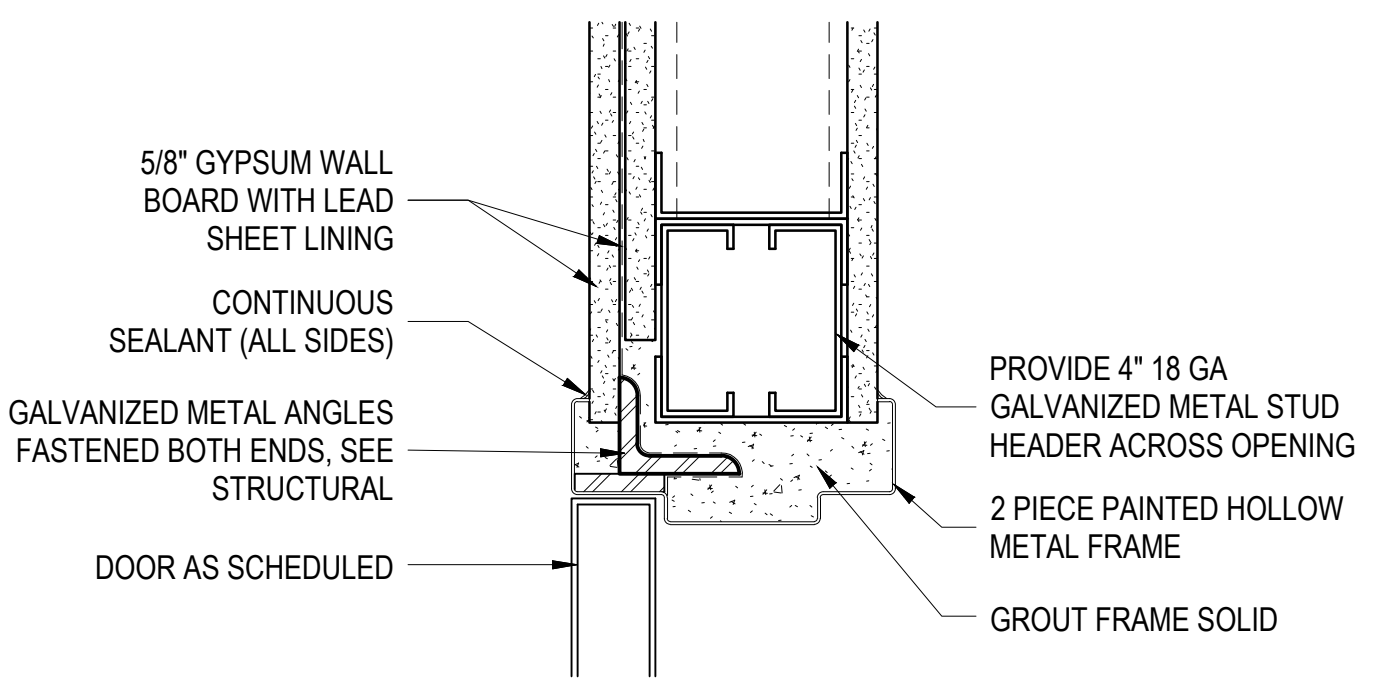
2 H.M. FRAME JAMB DETAIL  
 AS602 3" = 1'-0"



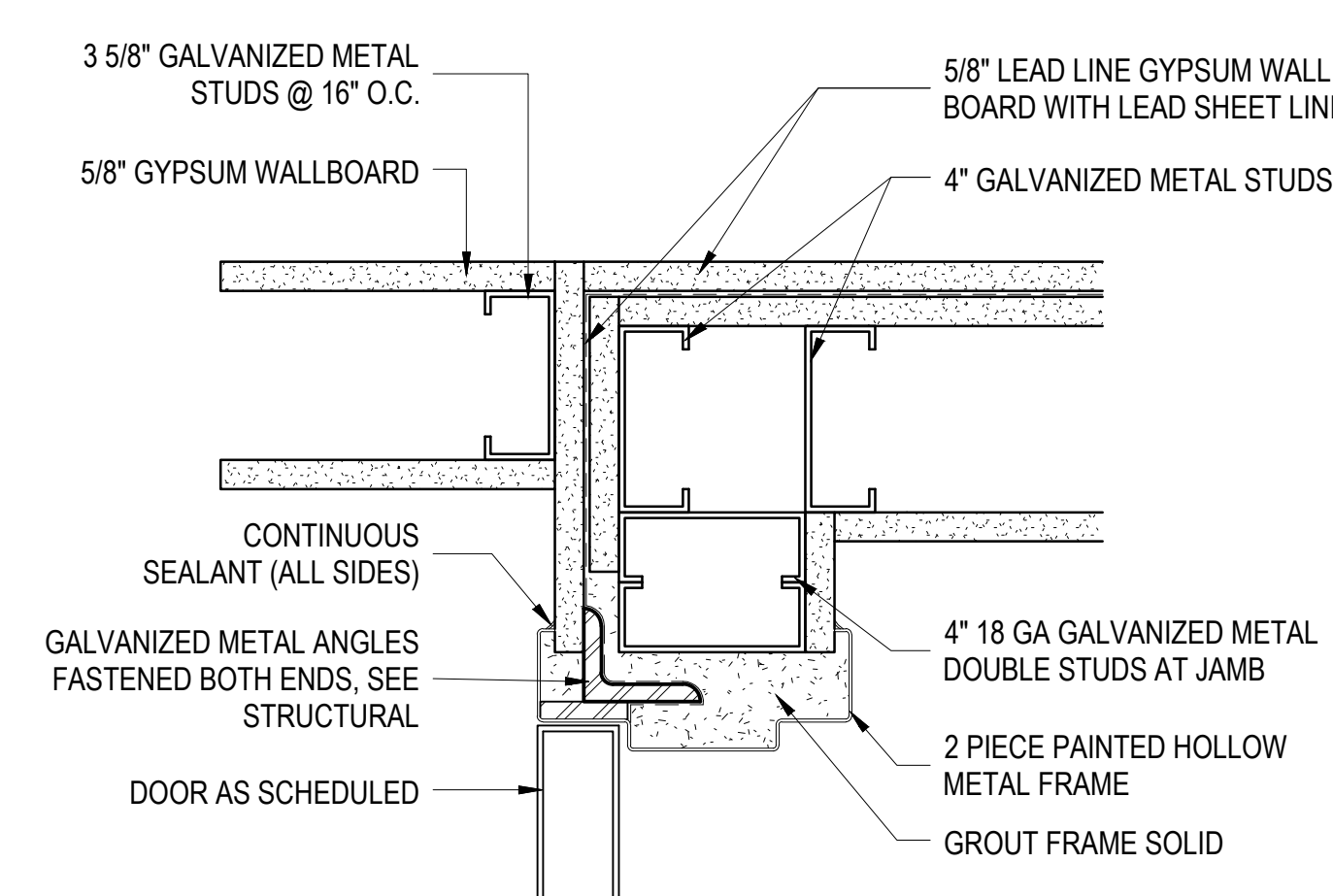
6 INTERIOR CMU DOOR JAMB DETAIL  
 AS602 3" = 1'-0"



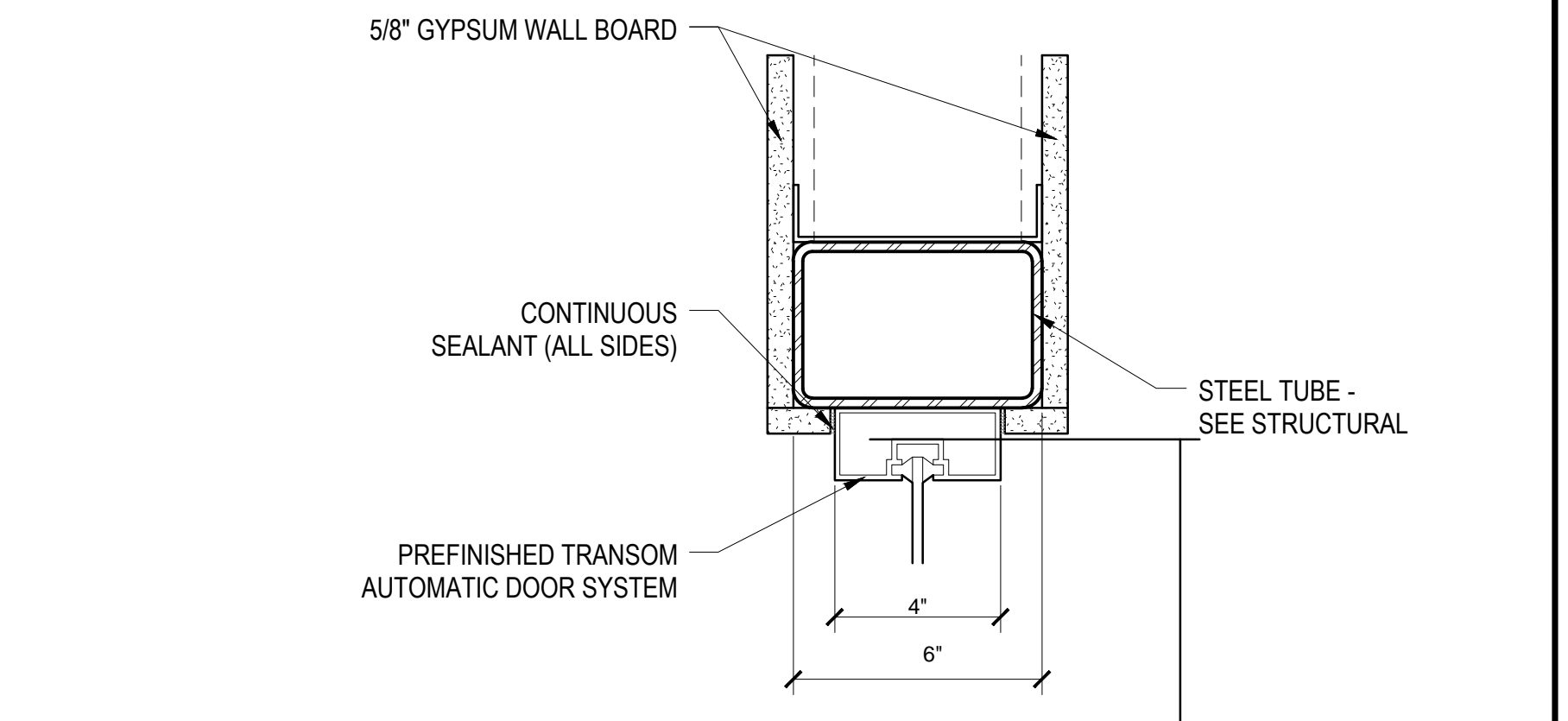
10 EXTERIOR HM DOOR JAMB DETAIL (CMU WALL)  
 AS602 3" = 1'-0"



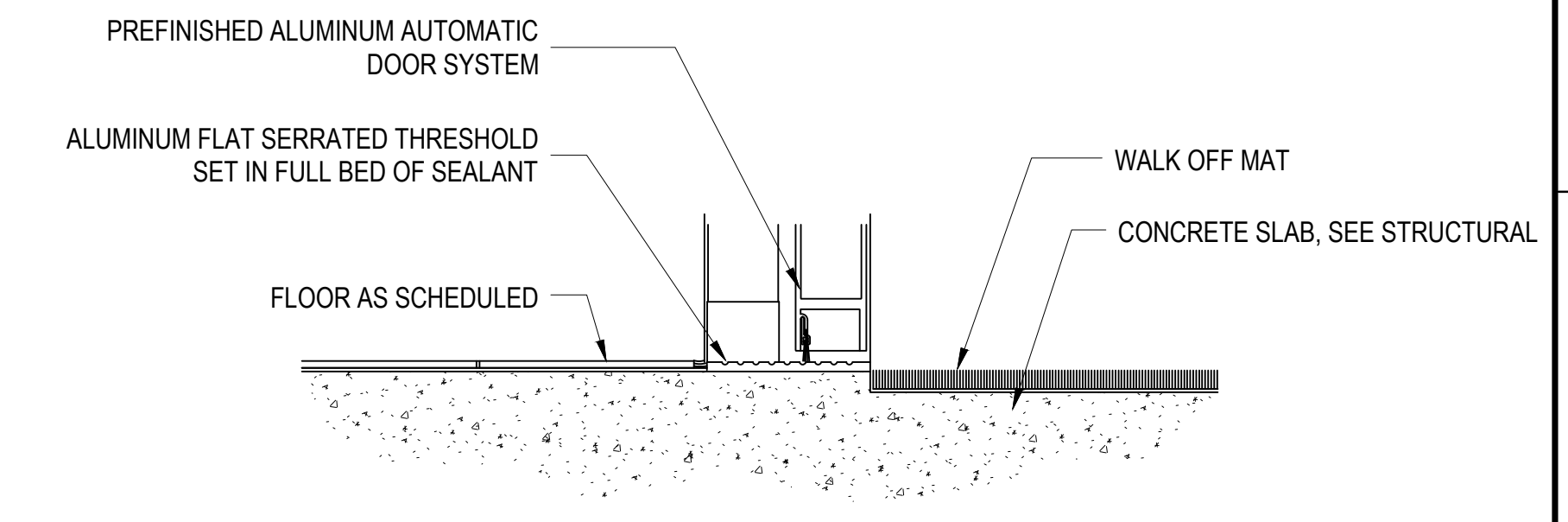
3 LEAD LINED HEAD DETAIL  
 AS602 3" = 1'-0"



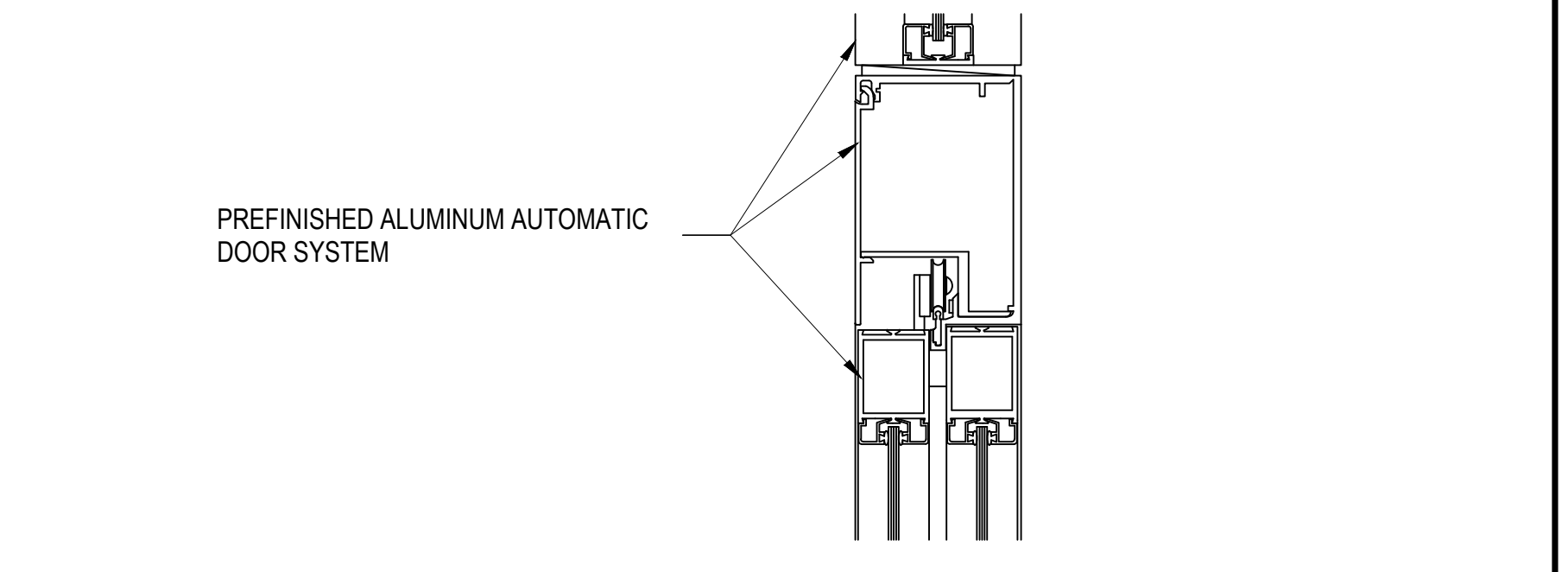
4 LEAD LINED JAMB DETAIL @ CORNER CONDITION  
 AS602 3" = 1'-0"



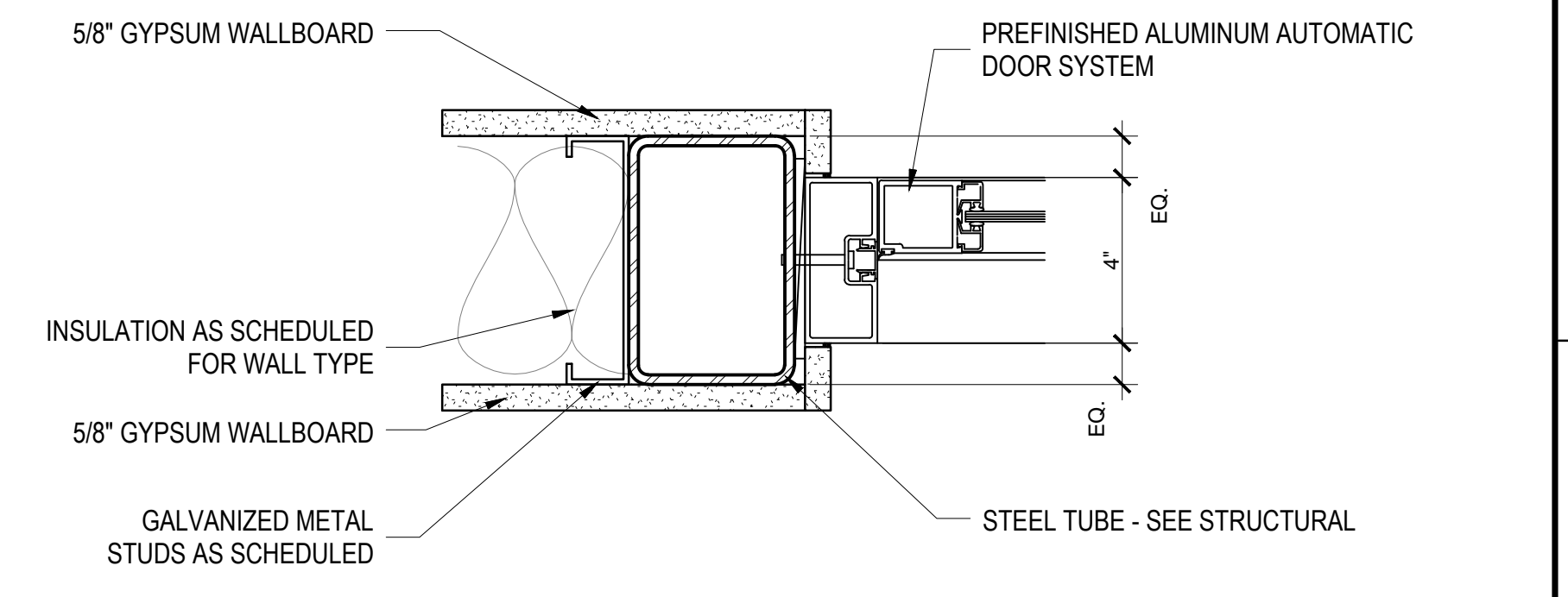
11 INT. AUTOMATIC SLIDING DOOR TRANSOM HEAD  
 AS602 3" = 1'-0"



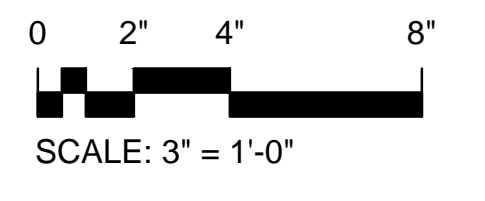
12 INT. AUTOMATIC SLIDING DOOR SILL DETAIL  
 AS602 3" = 1'-0"



13 INT. AUTOMATIC SLIDING DOOR TRANSOM DETAIL  
 AS602 3" = 1'-0"



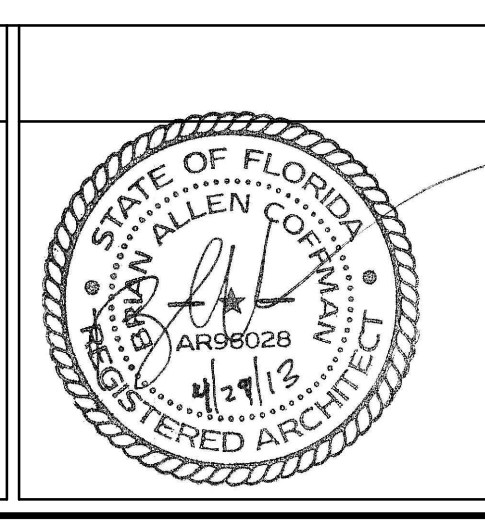
14 INT. AUTOMATIC SLIDING DOOR JAMB DETAIL  
 AS602 3" = 1'-0"



FINAL SUBMISSION / FULLY SPRINKLERED

Revisions	Date

CONSULTANTS:	
CIVIL: KENNETH HORNE & ASSOCIATES 7201 NORTH 9TH AVENUE, STE. 6 PENSACOLA, FLORIDA 32504 PH: (850) 471-9005 FX: (850) 471-0093	COMM/ES: SCHMIDT CONSULTING GROUP, INC. 40 S. PALAFOX PLACE, STE. 300 PENSACOLA, FLORIDA 32502 PH: (850) 438-0050 FX: (850) 432-8631
LANDSCAPE ARCHITECT: CSA GROUP, INC. 6300 PICCADILLY SQUARE DRIVE MOBILE, ALABAMA 36609 PH: (251) 344-4023 FX: (251) 344-4052	SURVEYORS: KCI TECHNOLOGIES, INC. 10401 HIGHLAND MANOR DRIVE, SUITE 120 TAMPA, FLORIDA 33610 PH: (813) 740-2300



ARCHITECT/ENGINEERS:

**BES DESIGN/BUILD**

BES DESIGN/BUILD, LLC  
 766 Middle St, Fairhope, AL 36532  
 Phone: 251.990.5778 Fax: 251.990.3716

Drawing Title DOOR DETAILS
Approved Project Director

Project Title CONSTRUCT VA OUTPATIENT CLINIC, PANAMA CITY	Project Number 520-326
Location PANAMA CITY, FLORIDA	Drawing Number AS602
Date APRIL 2013	Dwg. 40 of 43

Office of Construction and Facilities Management

Department of Veterans Affairs